

Motors for Air Conditioning

AR-9H



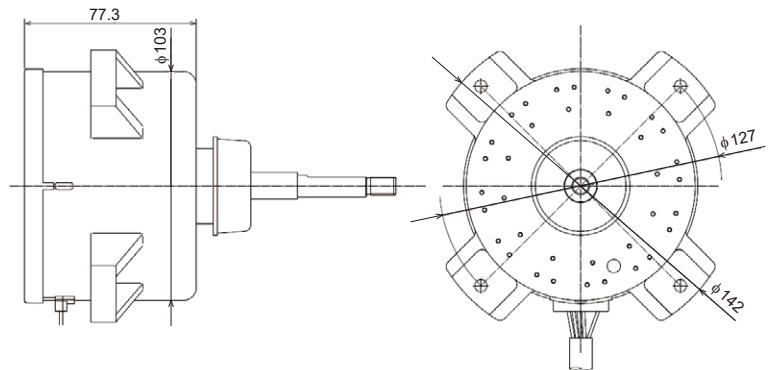
Features

- Rated Output: 70 W to 180 W
- 10 pole structure for high efficiency and low noise/vibration
- Anti-vibration rotor to reduce resonance
- Application: Multi-Zone HVAC

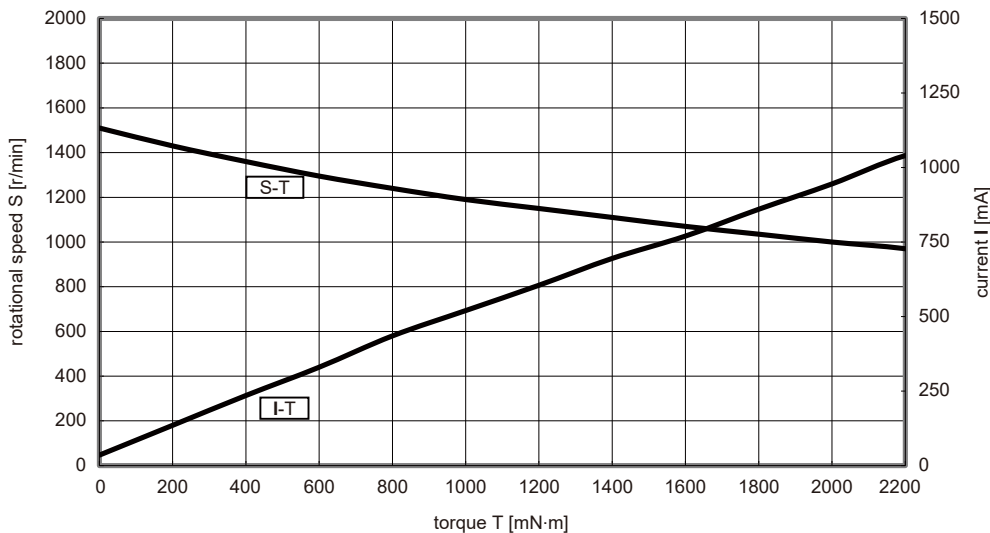
Specifications

Range of rated voltage (for motor)	(DC) (V)	280 to 339
Rated Output	(W)	70 to 180
Range of speed	(r/min)	200 to 1200
Operating temperature	(°C)	-20 to 60
Operating ambient humidity	(% RH)	95 max.
Motor installation	Motor shaft vertical downward and horizontal	
Drive circuit	Without control circuit	Sensorless or 3 Sensor
	With control circuit	Sine wave drive, Speed control for Vsp

Dimensions



Characteristics (Reference)



Voltage DC280 V
Output 180 W