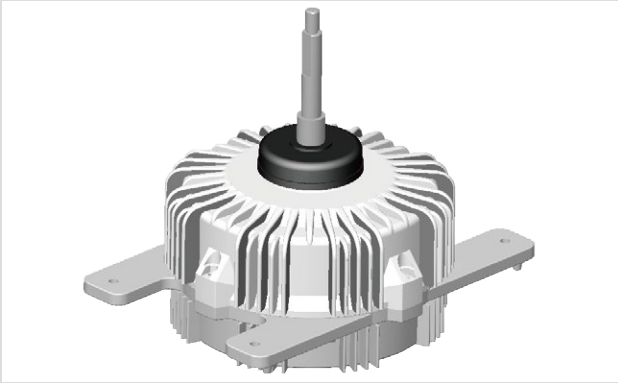


Motors for Air Conditioning

AR-K



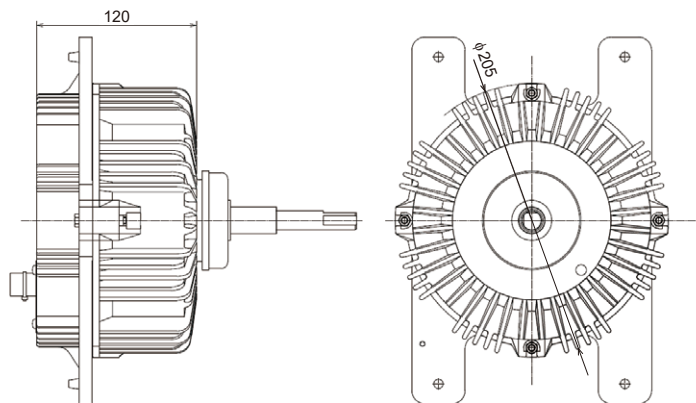
Features

- Rated Output: 750 W to 1300 W
- 10 pole structure for high efficiency and low noise/vibration
- Applications: Chiller and VRF

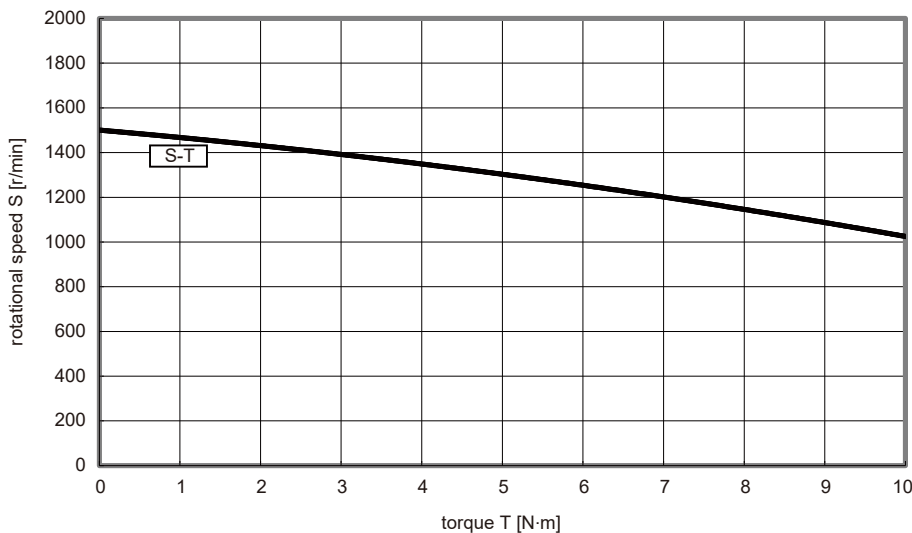
Specifications

Range of rated voltage (for motor)	(AC) (V)	200 V class	200 to 230
		400 V class	400 to 460
Range of rated current (for motor)	(A)	200 V class	8.4 MAX
		400 V class	4.15 MAX
Rated Output	(W)	750 to 1300	
Range of speed	(r/min)	200 to 1200	
Operating temperature	(°C)	-30 to 60	
Operating ambient humidity	(% RH)	95 max.	
Motor installation		Motor shaft vertical upward	
Drive circuit	Without control circuit	Sensorless or 3 Sensor	

Dimensions



Characteristics (Reference)



Voltage AC200 V
Output 1000 W