

Narrow pitch RF connectors
【For board-to-FPC】

RF4

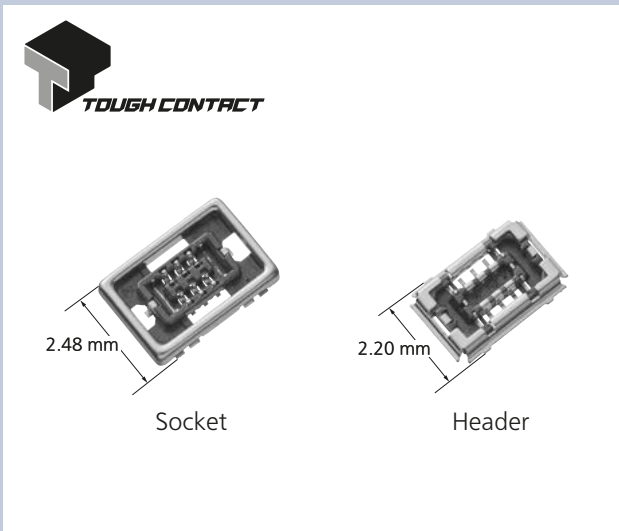
(0.35 mm pitch) Height 0.65 mm

Product Catalog

**IN Your
Future**

RF4 (0.35 mm pitch) Height 0.65 mm

Compatible with 5G Millimeter-wave Antenna Modules. Excellent EMI/SI performance.



FEATURES

- Seamless metal shield with all-around contact achieves both good EMI characteristics and high robustness
- Good SI characteristics with terminals for high frequency signals and shielded terminals
- TOUGH CONTACT structure and shield lock structure achieves high contact reliability and high retention force

TYPICAL APPLICATIONS

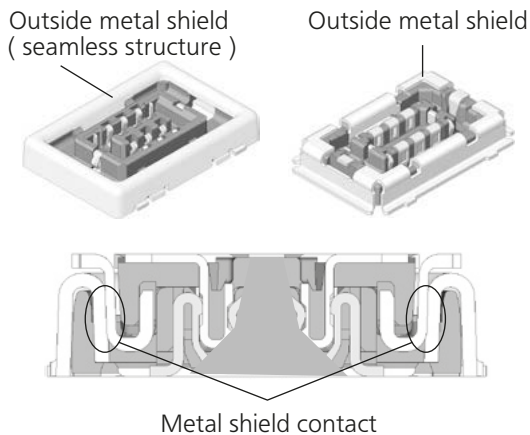
- Smartphone, Tablet, Laptop, Router etc.
 - For 5G Millimeter-wave Antenna/ UWB (Ultra Wide Band) Antenna
 - Connection between antenna module to main board

DETAILS FEATURES

Seamless metal shield structure

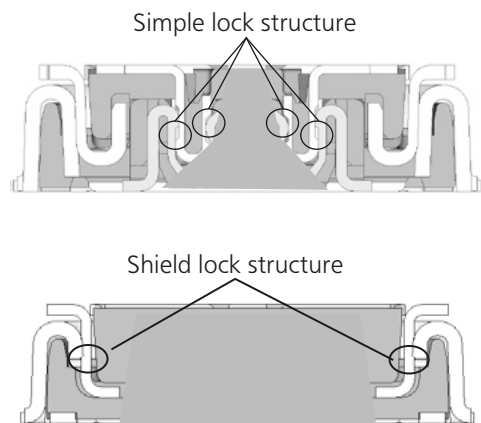
Shielding electromagnetic all around and good EMI characteristics.

Achieves high robustness (breakage resistance).



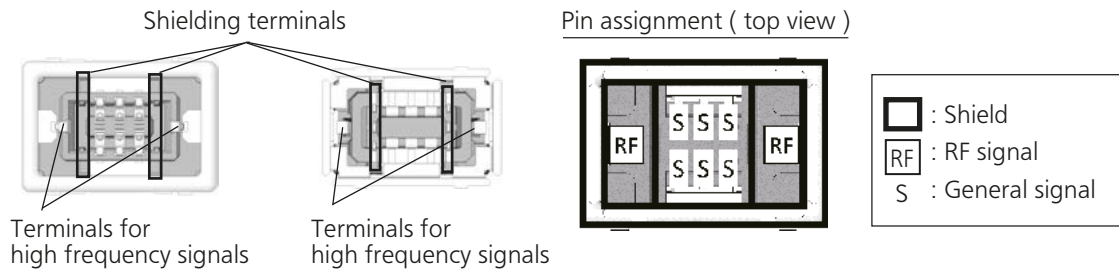
TOUGH CONTACT and shield lock structure

High contact reliability and high retention force.

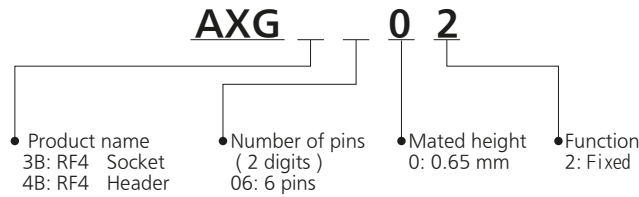


Narrow pitch RF connectors RF4 (0.35 mm pitch) Height 0.65 mm

- Optimized high frequency signal terminals
- Shielding between terminals achieves high SI performance



ORDERING INFORMATION (PART NO.)



PRODUCT TYPES

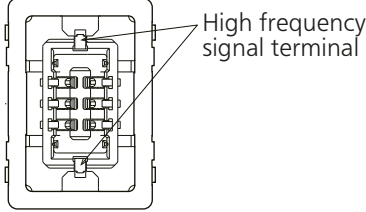
Mated height	Number of pins	Part No.		Standard packing	
		Socket	Header	Inner carton (1-reel)	Outer carton
0.65 mm	6	AXG3B0602	AXG4B0602	15,000 pcs	30,000 pcs

Notes) 1: Order unit: For volume production: 1-inner carton (1-reel) units. For samples, please contact our sales representative.
 2: Please contact our sales representative for connectors having a number of pins other than those listed above

Narrow pitch RF connectors RF4 (0.35 mm pitch) Height 0.65 mm

SPECIFICATIONS

Characteristics

Item	Specifications	Conditions																			
Electrical characteristics	Rated current	Max. 0.3 A / pin contact × 6 pin contacts Max. 1.0 A / pin contact × 2 pin contacts (2 pin contacts other than high frequency signal contacts)																			
	Rated voltage	30 V AC, DC																			
	Dielectric strength	150 V AC for 1 min	Detection current: 1 mA																		
	Insulation resistance	Min. 1000 MΩ (Initial stage)	Using 250 V DC megger (1 min)																		
	Contact resistance	Max. 90 mΩ	According to the method of JIS C 5402 (Current: 1 mA)																		
	Frequency	DC to 15 GHz																			
	V.S.W.R	DC to 3 GHz: Max. 1.2 3 to 6 GHz: Max. 1.4 6 to 12 GHz: Max. 1.5 12 to 15 GHz: Max. 2.0																			
	Insertion loss	DC to 10 GHz: Max. 0.30 dB 10 to 15 GHz: Max. 0.50 dB																			
Mechanical characteristics	Composite insertion force	Max. 50 N (Initial stage)																			
	Composite removal force	5 to 40 N (Initial stage)																			
Environmental characteristics	Ambient temperature (Operating temperature)	-55 to +85 °C	No icing or condensation Include the calorification from the connector																		
	Storage temperature	-55 to +85 °C (Products only) -40 to +50 °C (Packaging structure)	No icing or condensation																		
	Soldering heat resistance	The initial specification must be satisfied electrically and mechanically	Max. peak temperature of 260 °C Infrared reflow soldering (PC board surface temperature near connector terminals)																		
	Thermal shock resistance (header and socket mated)	After 5 cycles Insulation resistance: Min. 100 MΩ Contact resistance : Max. 90 mΩ	Conformed to MIL-STD-202F, method 107G <table border="1" data-bbox="1050 1249 1439 1406"> <thead> <tr> <th>Order</th> <th>Temperature (°C)</th> <th>Time (minutes)</th> </tr> </thead> <tbody> <tr> <td>1</td> <td>-55₋₃⁰</td> <td>30</td> </tr> <tr> <td>2</td> <td>∅</td> <td>Max. 5</td> </tr> <tr> <td>3</td> <td>85⁺³₀</td> <td>30</td> </tr> <tr> <td>4</td> <td>∅</td> <td>Max. 5</td> </tr> <tr> <td></td> <td>-55₋₃⁰</td> <td></td> </tr> </tbody> </table>	Order	Temperature (°C)	Time (minutes)	1	-55 ₋₃ ⁰	30	2	∅	Max. 5	3	85 ⁺³ ₀	30	4	∅	Max. 5		-55 ₋₃ ⁰	
	Order	Temperature (°C)	Time (minutes)																		
	1	-55 ₋₃ ⁰	30																		
2	∅	Max. 5																			
3	85 ⁺³ ₀	30																			
4	∅	Max. 5																			
	-55 ₋₃ ⁰																				
Humidity resistance (header and socket mated)	After 120 hours Insulation resistance: Min. 100 MΩ Contact resistance: Max. 90 mΩ	IEC60068-2-78 Temperature: 40±2 °C Humidity: 90 to 95 % RH																			
Salt water spray resistance (header and socket mated)	After 24 hours Insulation resistance: Min. 100 MΩ Contact resistance: Max. 90 mΩ	IEC60068-2-11 Temperature: 35±2 °C Salt water concentration: 5±1 %																			
H2S resistance (header and socket mated)	After 48 hours Contact resistance: Max. 90 mΩ	Temperature: 40±2 °C Gas concentration: 3±1 ppm Humidity: 75 to 80 % RH																			
Lifetime characteristics	Insertion and removal life	Mechanical life: 10 times Contact resistance: Max. 90 mΩ Composite removal force: 5 to 40 N	Repeated insertion and removal cycles of max. 200 times/hour																		
Unit weight		6 contacts Scket : 0.010 g Header: 0.006 g																			

Material and surface treatment

Part name	Material	Surface treatment
Molded portion	LCP resin (UL94V-0)	—
Contact and Post	Copper alloy	Contact portion (main): Au plating (Min. 0.1μm) over nickel Terminal portion : Au plating over nickel (except for top of the terminal) Ground terminal : Au plating over nickel (except for top of the terminal)

Narrow pitch RF connectors RF4 (0.35 mm pitch) Height 0.65 mm

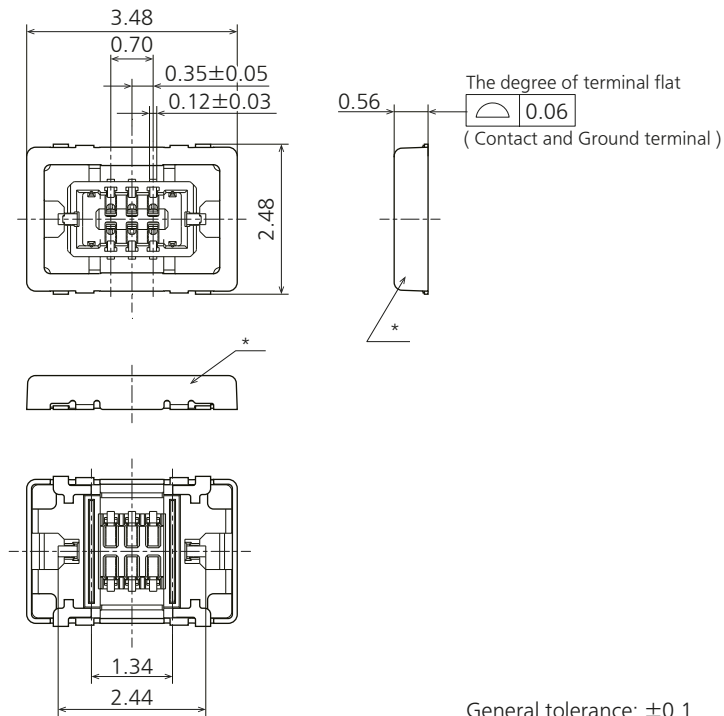
DIMENSIONS (Unit: mm)

CAD The CAD data of the products with a " CAD " mark can be downloaded from our Website.

■ Socket (Mated height: 0.65 mm)

CAD

External dimensions



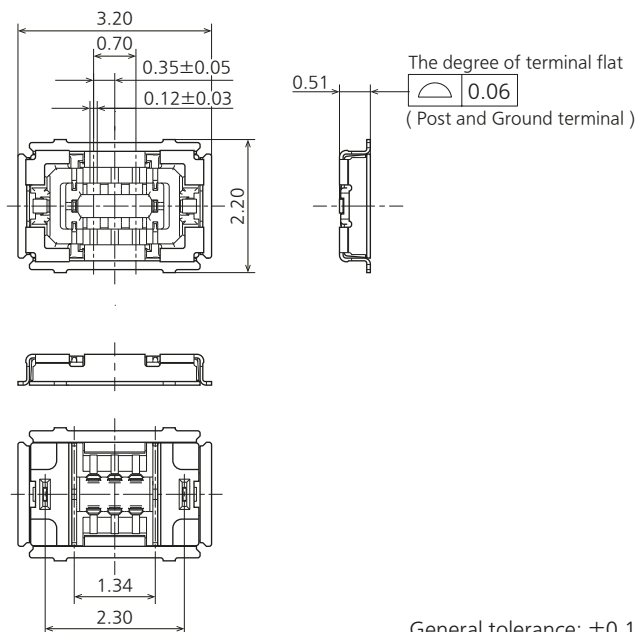
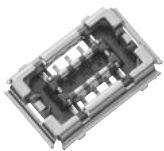
General tolerance: ± 0.1

* There might be differences in the exposure state of the ground terminal except terminal portion.

■ Header (Mated height: 0.65 mm)

CAD

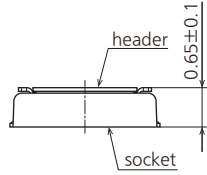
External dimensions



General tolerance: ± 0.1

Narrow pitch RF connectors RF4 (0.35 mm pitch) Height 0.65 mm

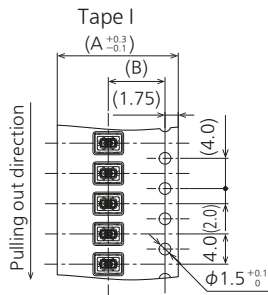
■ Socket and Header are mated



EMBOSED TAPE DIMENSIONS (Unit: mm)

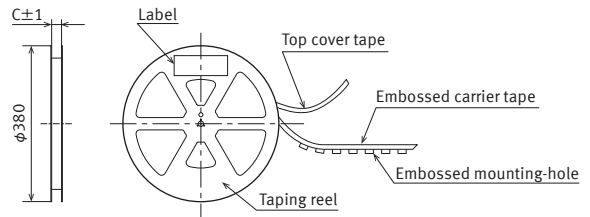
■ Specifications for taping

In accordance with JIS C 0806-3:1999. However, not applied to the mounting-hole pitch of some connectors.



■ Specifications for the plastic reel

In accordance with EIAJ ET-7200B



■ Dimension table

Type/Mated height	Number of pins	Type of taping	A	B	C	Quantity per reel
Common for socket and header 0.65 mm	6 contacts	Tape I	16.0	7.5	17.4	15,000 pcs

■ Connector orientation with respect to embossed tape feeding direction

There is no indication on this product regarding top-bottom or left-right orientation.

Direction of tape progress	Type	Common for RF4	
		Socket	Header

Narrow pitch RF connectors RF4 (0.35 mm pitch) Height 0.65 mm

NOTES (Unit: mm)

■ Design of PC board patterns

Conduct the recommended foot pattern design, in order to preserve the mechanical strength of terminal solder areas.

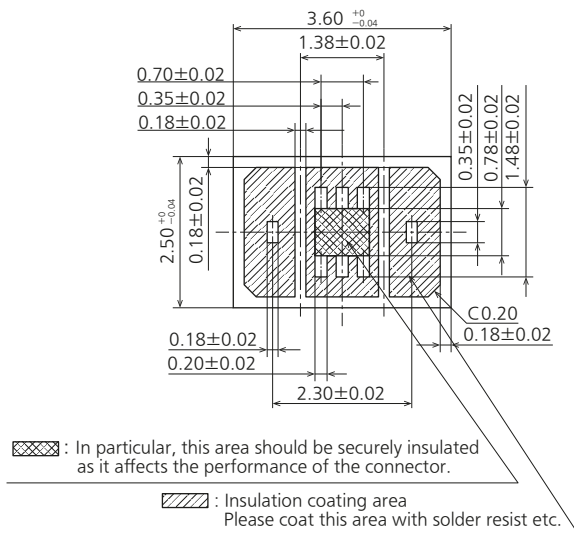
■ Recommended PC board and metal mask patterns

Connectors are mounted with high pitch density, intervals of 0.35 mm, 0.4 mm or 0.5 mm. In order to reduce solder and flux rise, solder bridges and other issues make sure the proper levels of solder is used.

The figures are recommended patterns. Please use them as a reference.

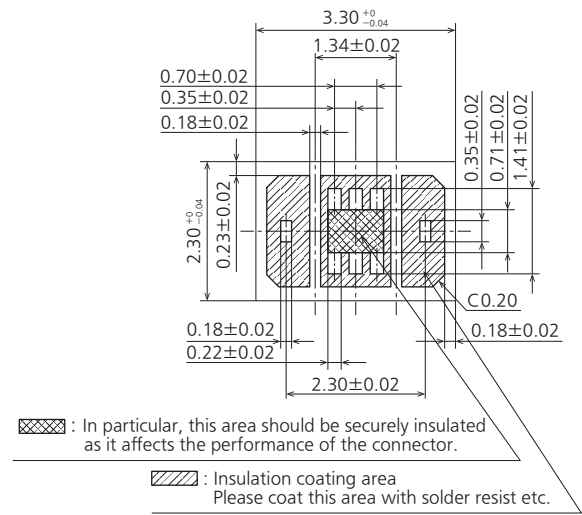
■ Socket

● Recommended PC board pattern (TOP VIEW)



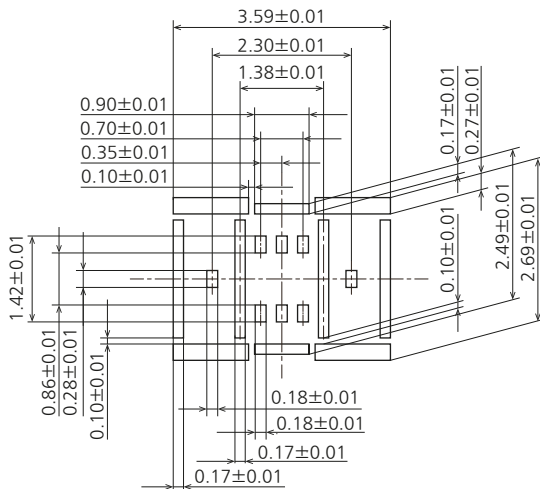
■ Header

● Recommended PC board pattern (TOP VIEW)



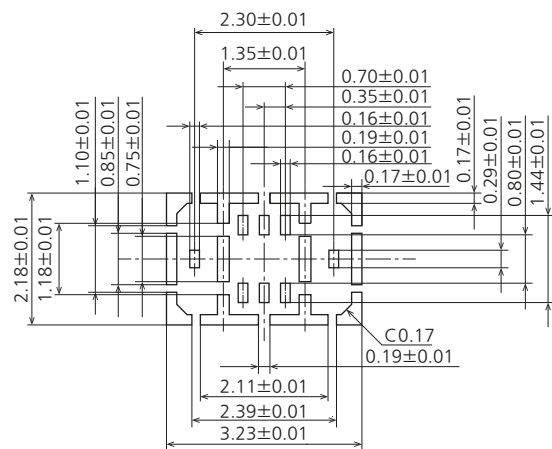
● Recommended metal mask pattern

Metal mask thickness: When 80 μm
 (Terminal opening ratio: 72 %, IF part: 80 %)
 (Ground terminal opening ratio: 103 %)



● Recommended metal mask pattern

Metal mask thickness: When 60 μm
 (Terminal opening ratio: 67 %, IF part: 74 %)
 (Ground terminal opening ratio: 71 %)



Please refer to "the latest product specifications" when designing your product.

- Requests to customers:
<https://industrial.panasonic.com/ac/e/salespolicies/>

About safety remarks

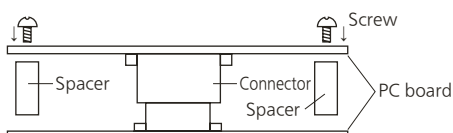
Observe the following safety remarks to prevent accidents and injuries.

- Do not use these connectors beyond the specification sheets. The usage outside of specified rated current, dielectric strength, and environmental conditions and so on may cause circuitry damage via abnormal heating, smoke, and fire.
- In order to avoid accidents, your thorough specification review is appreciated. Please contact our sales representative if your usage is out of the specifications. Otherwise, Panasonic Industry Co., Ltd. cannot guarantee the quality and reliability.
- Panasonic Industry Co., Ltd. is consistently striving to improve quality and reliability. However, the fact remains that electrical components and devices generally cause failures at a given statistical probability. Furthermore, their durability varies with use environments or use conditions. In this respect, please check for actual electrical components and devices under actual conditions before use. Continued usage in a state of degraded condition may cause the deteriorated insulation, thus result in abnormal heat, smoke or firing. Please carry out safety design and periodic maintenance including redundancy design, design for fire spread prevention, and design for malfunction prevention so that no accidents resulting in injury or death, fire accidents, or social damage will be caused as a result of failure of the products or ending life of the products.

Regarding the design of devices and PC board patterns

- When using board to board connectors, a pair of board shall NOT be connected with multiple connectors. Otherwise, misaligned connector positions may cause mating failure or product breakage. Panasonic Industry Co., Ltd. does not guarantee the failures caused by using the multiple connectors.
- With mounting equipment, there may be up to a ± 0.2 to 0.3 mm error in positioning. Be sure to design PC boards and patterns while taking into consideration the performance and abilities of the required equipment.
- Some connectors have tabs embossed on the body to aid in positioning. When using these connectors, make sure that the PC board is designed with positioning holes to match these tabs.
- To ensure the required mechanical strength when soldering the connector terminals, make sure the PC board meets recommended PC board pattern design dimensions given.
- PC board
Control the thicknesses of the cover lay and adhesive to prevent poor soldering. This connector has no stand-off. Therefore, minimize the thickness of the cover lay, etc. so as to prevent the occurrence of poor soldering.
- For all connectors of the narrow pitch series, to prevent the PC board from coming off during vibrations or impacts, and to prevent loads from falling directly on the soldered portions, be sure to design some means to fix the PC board in place.

Example) Secure in place with screws



When connecting PC boards, take appropriate measures to prevent the connector from coming off.

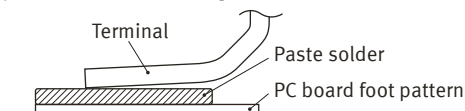
Regarding the selection of the connector placement machine and the mounting procedures

- Select the placement machine taking into consideration the connector height, required positioning accuracy, and packaging conditions.
- Be aware that if the chucking force of the placement machine is too great, it may deform the shape of the connector body or connector terminals.
- Be aware that during mounting, external forces may be applied to the connector contact surfaces and terminals and cause deformations.
- Depending on the size of the connector being used, self alignment may not be possible. In such cases, be sure to carefully position the terminal with the PC board pattern.
- The positioning bosses give an approximate alignment for positioning on the PC board. For accurate positioning of the connector when mounting it to the PC board, we recommend using an automatic positioning machine.
- In case of dry condition, please note the occurrence of static electricity. The product may be adhered to the embossed carrier tape or the cover tape in dry condition. Recommended humidity is from 40 to 60% RH and please remove static electricity by ionizer in manufacturing process.

Regarding soldering

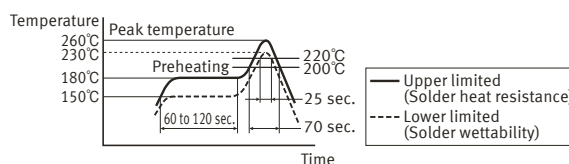
Reflow soldering

- Measure the recommended profile temperature for reflow soldering by placing a sensor on the PC board near the connector surface or terminals. (Please refer to the specification for detail because the temperature setting differs by products.)
- As for cream solder printing, screen printing is recommended.
- When setting the screen opening area and PC board foot pattern area, refer the recommended PC board pattern and window size of metal mask on the specification sheet, and make sure that the size of board pattern and metal mask at the base of the terminals are not increased.
- Please pay attentions not to provide too much solder. It makes miss mating because of interference at soldering portion when mating.



- When mounting on both sides of the PC board and the connector is mounting on the underside, use adhesives or other means to ensure the connector is properly fixed to the PC board. (Double reflow soldering on the same side is possible.)
- The condition of solder or flux rise and wettability varies depending on the type of solder and flux. Solder and flux characteristics should be taken into consideration and also set the reflow temperature and oxygen level.

- Do not use resin-containing solder. Otherwise, the contacts might be firmly fixed.
- Soldering conditions
Please use the reflow temperature profile conditions recommended below for reflow soldering. Please contact our sales representative before using a temperature profile other than that described below.



For products other than the ones above, please refer to the latest product specifications.

- The temperature profiles given in this catalog are values measured when using the connector on a resin-based PC board. When performed reflow soldering on a metal board (iron, aluminum, etc.) or a metal table to mount on a FPC, make sure there is no deformation or discoloration of the connector before mounting.
- Please contact our sales representative when using a screen-printing thickness other than that recommended.

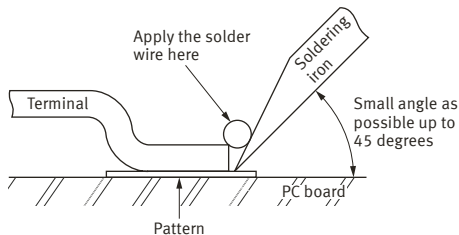
■ Hand soldering

- Set the soldering iron so that the tip temperature is less than that given in the table below.

Table A

Product name	Soldering iron temperature
SMD type connectors all products	300°C within 5 sec. 350°C within 3 sec.

- Do not allow flux to spread onto the connector leads or PC board. This may lead to flux rising up to the connector inside.
- Touch the soldering iron to the foot pattern. After the foot pattern and connector terminal are heated, apply the solder wire so it melts at the end of the connector terminals.



- Be aware that soldering while applying a load on the connector terminals may cause improper operation of the connector.
- Thoroughly clean the soldering iron.
- Flux from the solder wire may get on the contact surfaces during soldering operations. After soldering, carefully check the contact surfaces and clean off any solder before use.
- These connector is low profile type. If too much solder is supplied for hand soldering, It makes miss mating because of interference at soldering portion. Please pay attentions.

■ Solder reworking

- Finish reworking in one operation.
- In case of soldering rework of bridges. Do not use supplementary solder flux. Doing so may cause contact problems by flux.
- Keep the soldering iron tip temperature below the temperature given in Table A.

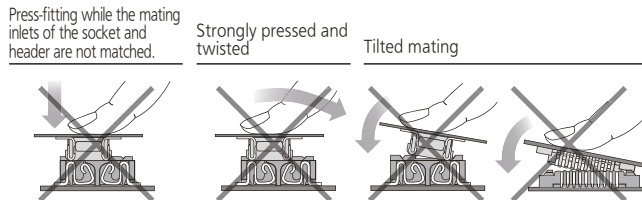
Handling single components

- Make sure not to drop or allow parts to fall from work bench.
- Excessive force applied to the terminals could cause warping, come out, or weaken the adhesive strength of the solder. Handle with care.
- Do not insert or remove the connector when it is not soldered. Forcibly applied external pressure on the terminals can weaken the adherence of the terminals to the molded part or cause the terminals to lose their evenness.

Precautions for mating

This product is designed with ease of handling. However, in order to prevent the deformation or damage of contacts and molding, take care and do not mate the connectors as shown right.

Our products are symmetrical structure. Please avoid reverse insertion of connector. Inserting a connector in a circuit direction opposite to that you intended may cause circuitry damage via abnormal heating, smoke, and fire.



Cleaning flux from PC board

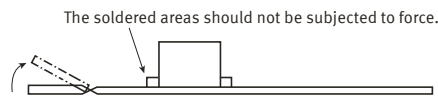
There is no need to clean this product. If cleaning it, pay attention to the following points to prevent the negative effect to the product.

- Keep the cleaning solvent clean and prevent the connector contacts from contamination.
- Some cleaning solvents are strong and they may dissolve the molded part and characters, so pure water passed liquid solvent is recommended.

Handling the PC board

■ Handling the PC board after mounting the connector

When cutting or bending the PC board after mounting the connector, be careful that the soldered sections are subjected to excessive force.



Storage of connectors

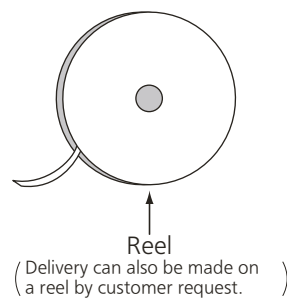
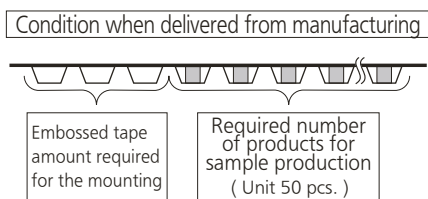
- To prevent problems from voids or air pockets due to heat of reflow soldering, avoid storing the connectors in areas of high humidity.
- Depending on the connector type, the color of the connector may vary from connector to connector depending on when it is produced. Some connectors may change color slightly if subjected to ultraviolet rays during storage. This is normal and will not affect the operation of the connector.
- When storing the connectors with the PC boards assembled and components already set, be careful not to stack them up so the connectors are subjected to excessive forces.
- Avoid storing the connectors in locations with excessive dust. The dust may accumulate and cause improper connections at the contact surfaces.

Other Notes

- Do not remove or insert the electrified connector (in the state of carrying current or applying voltage).
- Dropping of the products or rough mishandling may bend or damage the terminals and possibly hinder proper reflow soldering.
- Before soldering, try not to insert or remove the connector more than absolutely necessary.
- When coating the PC board after soldering the connector to prevent the deterioration of insulation, perform the coating in such a way so that the coating does not get on the connector.
- There may be variations in the colors of products from different production lots. This is normal.
- The connectors are not meant to be used for switching.
- Product failures due to condensation are not covered by warranty.

Regarding sample orders to confirm proper mounting

When ordering samples to confirm proper mounting with the placement machine, connectors are delivered in 50-piece units in the condition given right. Consult a sale representative for ordering sample units.



Please refer to "the latest product specifications" when designing your product.

- Requests to customers:

<https://industrial.panasonic.com/ac/e/salespolicies/>

■ Global Sales Network Information: industrial.panasonic.com/ac/e/salesnetwork

Panasonic
INDUSTRY

Panasonic Industry Co., Ltd.

Electromechanical Control Business Division

■ 1006, Oaza Kadoma, Kadoma-shi, Osaka 571-8506, Japan
industrial.panasonic.com/ac/e/