

Power Relays (Over 2 A)

DJ-H RELAYS

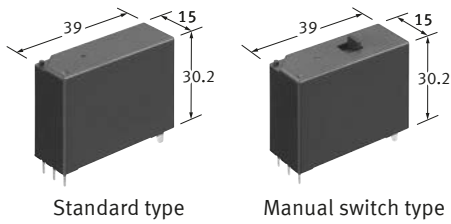
Product Catalog

**IN Your
Future**

DJ-H RELAYS

Suitable for lighting and motor load, 1 Form A 50 A, Latching relays

Protective construction : Flux-resistant type



(Unit : mm)

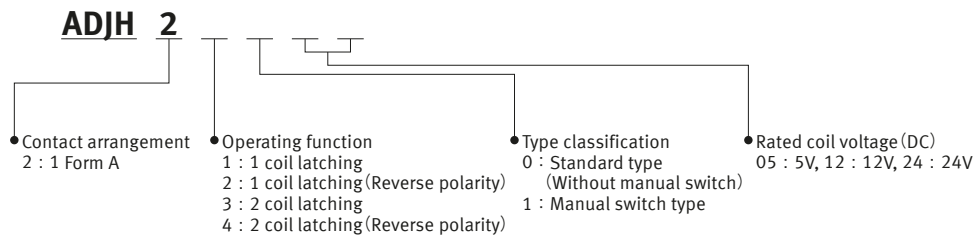
FEATURES

- Inrush resistance and compatible with lighting load
 - Tungsten load (TV-20 class)
 - Electronic ballast load (NEMA410)
 - Capacitive load (IEC60669-1)
- Manual switch type available

TYPICAL APPLICATIONS

- Smart house (shutter and sunblind control)
- Lighting control

ORDERING INFORMATION (PART NO.)



TYPES

Standard type (Without manual switch)

Contact arrangement	Rated coil voltage	Part No.		Standard packing	
		1 coil latching	2 coil latching	Inner carton	Outer carton
1 Form A	5 V DC	ADJH21005	ADJH23005	50 pcs.	200 pcs.
	12 V DC	ADJH21012	ADJH23012		
	24 V DC	ADJH21024	ADJH23024		

Note: Reverse polarity type available. (1 coil latching: ADJH220**, 2 coil latching: ADJH240**)

Manual switch type

Contact arrangement	Rated coil voltage	Part No.		Standard packing	
		1 coil latching	2 coil latching	Inner carton	Outer carton
1 Form A	5 V DC	ADJH21105	ADJH23105	50 pcs.	200 pcs.
	12 V DC	ADJH21112	ADJH23112		
	24 V DC	ADJH21124	ADJH23124		

Note: Reverse polarity type available. (1 coil latching: ADJH221**, 2 coil latching: ADJH241**)

Power Relays (Over 2 A) DJ-H RELAYS

RATING

Coil data

- Operating characteristics such as " Operate voltage " and " Release voltage " are influenced by mounting conditions or ambient temperature, etc.
Therefore, please use the relay within $\pm 5\%$ of rated coil voltage.
- " Initial " means the condition of products at the time of delivery.

1 coil latching

Rated coil voltage	Set voltage* (at 20 °C)	Reset voltage* (at 20 °C)	Rated operating current ($\pm 10\%$, at 20 °C)		Coil resistance ($\pm 10\%$, at 20 °C)		Rated operating power	Max. allowable voltage (at 20 °C)
			Set coil	Reset coil	Set coil	Reset coil		
5 V DC	Max. 75 % V of rated coil voltage (Initial)	Max. 75 % V of rated coil voltage (Initial)	200 mA	200 mA	25 Ω	25 Ω	1,000 mW	130 % V of rated coil voltage
12 V DC			83.3 mA	83.3 mA	144 Ω	144 Ω		
24 V DC			41.7 mA	41.7 mA	576 Ω	576 Ω		

* square, pulse drive

2 coil latching

Rated coil voltage	Set voltage* (at 20 °C)	Reset voltage* (at 20 °C)	Rated operating current ($\pm 10\%$, at 20 °C)		Coil resistance ($\pm 10\%$, at 20 °C)		Rated operating power	Max. allowable voltage (at 20 °C)
			Set coil	Reset coil	Set coil	Reset coil		
5 V DC	Max. 75 % V of rated coil voltage (Initial)	Max. 75 % V of rated coil voltage (Initial)	400 mA	400 mA	12.5 Ω	12.5 Ω	2,000 mW	130 % V of rated coil voltage
12 V DC			166.7 mA	166.7 mA	72 Ω	72 Ω		
24 V DC			83.3 mA	83.3 mA	288 Ω	288 Ω		

* square, pulse drive

Specifications

Item	Specifications	
Contact data	Contact arrangement	1 Form A
	Contact resistance (initial)	Max. 20 m Ω (by voltage drop 24 V DC 1 A)
	Contact material	AgSnO ₂ type
	Contact rating (resistive)	50 A 277 V AC
	Max. switching power (resistive)	13,850 VA (50 A 277 V AC)
	Max. switching voltage	480 V AC
	Max. switching current	50 A (AC)
	Min. switching load (reference value) *1	100 mA 5 V DC
Insulation resistance (initial)		Min. 1,000 M Ω (at 500 V DC, Measured portion is the same as the case of dielectric strength.)
Dielectric strength (initial)	Between open contacts	1,500 V rms for 1 min (detection current: 10 mA)
	Between contact and coil	4,000 V rms for 1 min (detection current: 10 mA)
Surge withstand voltage (initial) *2	Between contact and coil	12,000 V
Time characteristics (initial)	Set time	Max. 20 ms at rated coil voltage (at 20 °C, without bounce)
	Reset time	Max. 20 ms at rated coil voltage (at 20 °C, without bounce)
Shock resistance	Functional	100 m/s ² (half-sine shock pulse: 11 ms, detection time: 10 μ s)
	Destructive	1,000 m/s ² (half-sine shock pulse: 6 ms)
Vibration resistance	Functional	10 to 55 Hz (at double amplitude of 1.5 mm, detection time: 10 μ s)
	Destructive	10 to 55 Hz (at double amplitude of 2 mm)
Expected life	Mechanical life	Min. 10 ⁶ ope. (switching frequency: at 180 times/min)
Conditions	Conditions for usage, transport and storage *3	Ambient temperature: -40 to +85 °C (Allowable temperature is from -40 to +70 °C at our standard packing condition.) Humidity: 5 to 85 % RH (Avoid icing and condensation)
Unit weight		Approx. 31 g

*1: This value can change due to the switching frequency, environmental conditions, and desired reliability level, therefore it is recommended to check this with the actual load.

*2: Wave is standard shock voltage of $\pm 1.2 \times 50 \mu$ s according to JEC-212-1981

*3: For ambient temperature, please read " GUIDELINES FOR RELAY USAGE ".

Power Relays (Over 2 A) DJ-H RELAYS

Expected electrical life

Conditions: Switching frequency ON : OFF = 1 s : 9 s

Type	Load	Switching capacity	Number of operations	
1 Form A	Resistive load	25 A 277 V AC	Min. 100×10^3 ope.	
		50 A 277 V AC	Min. 10×10^3 ope.	
	Inrush resistance current load	Tungsten load	2,400 W 120 V AC	Min. 25×10^3 ope. (switching frequency ON : OFF = 1 s : 59 s)
		Electronic ballast load	20 A 277 V AC	Min. 6×10^3 ope.
	Capacitive load (IEC 60669-1)	20 A 250 V AC 200 μ F	Min. 30×10^3 ope.	

Inrush resistance current load (Electrical life) conditions

Load	Tungsten load	Electronic ballast load	Capacitive load (IEC 60669-1)
Switching capacity	2,400 W 120 V AC	20 A 277 V AC	20 A 250 V AC 200 μ F
Load voltage	120 V AC (60 Hz)	277 V AC (60 Hz)	250 V AC (60 Hz)
Load current	Inrush: 250 A _{O-P} , Steady-state: 20 A rms	Inrush: 480 A _{O-P} , Steady-state: 16 A rms	Inrush: 400 A _{O-P} , Steady-state: 20 A rms
Circuit			
Inrush current waveform			

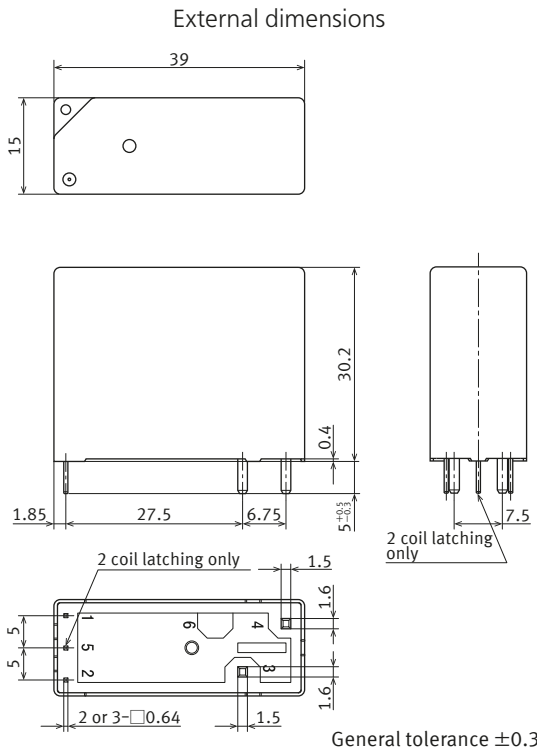
Power Relays (Over 2 A) DJ-H RELAYS

DIMENSIONS (Unit: mm)

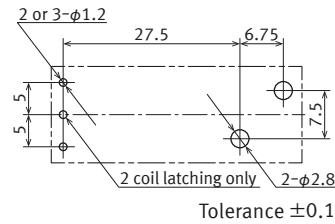
CAD The CAD data of the products with a " CAD " mark can be downloaded from our Website.

Standard type (Without manual switch)

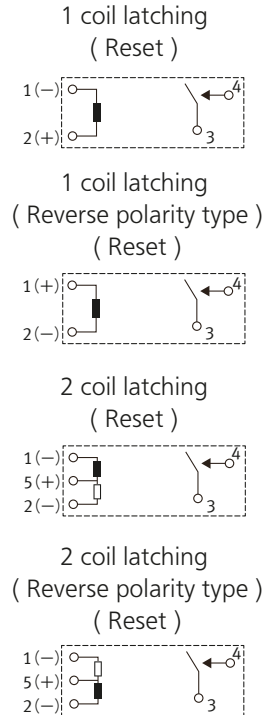
CAD



Recommended PC board pattern (BOTTOM VIEW)

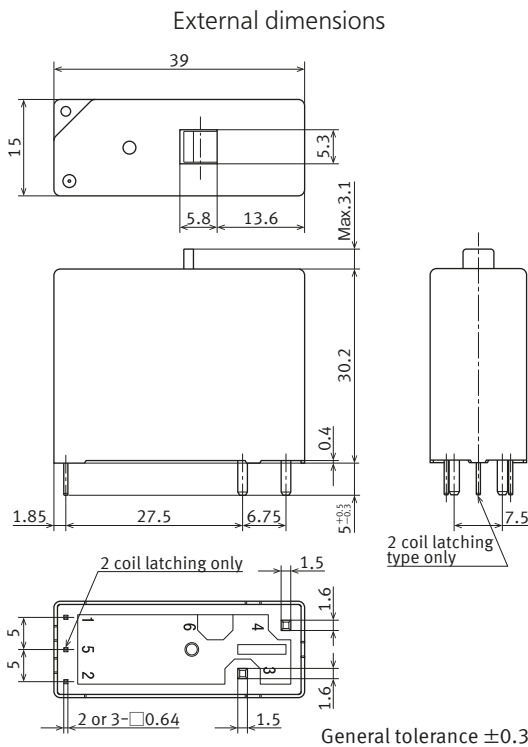


Schematic (BOTTOM VIEW)

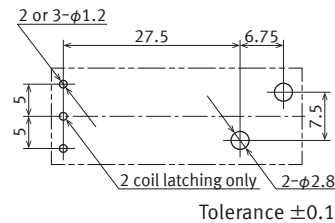


Manual switch type

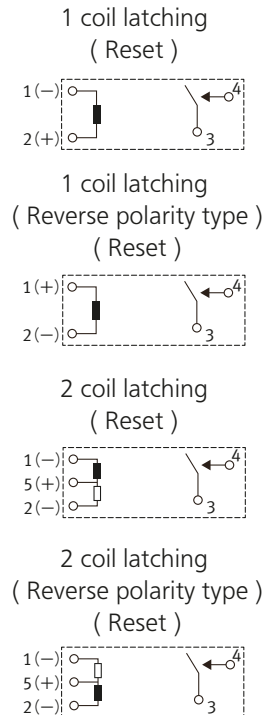
CAD



Recommended PC board pattern (BOTTOM VIEW)



Schematic (BOTTOM VIEW)



Power Relays (Over 2 A) DJ-H RELAYS

SAFETY STANDARDS

Each standard may be updated at any time, so please check our Website for the latest information.

■ UL/C-UL (Approved)

File No.	Contact rating	Operations	Ambient temperature
E43149	50 A 277 V AC Resistive	10×10^3	85 °C
	40 A 347 V AC Resistive	20×10^3	40 °C
	30 A 480 V AC Resistive	20×10^3	40 °C
	20 A 347 V AC Electronic ballast (1 coil latching type only)	6×10^3	85 °C
	20 A 277 V AC Electronic ballast	6×10^3	85 °C
	20 A 277 V AC Standard ballast	30×10^3	85 °C
	15 A 347 V AC Standard ballast	30×10^3	85 °C
	5,540 W 277 V AC Tungsten	25×10^3	40 °C

■ VDE (Approved)

File No.	Contact rating	Operations	Ambient temperature
40045659	50 A 250 V AC ($\cos \phi = 1.0$)	10×10^3	85 °C
	25 A 250 V AC ($\cos \phi = 1.0$)	90×10^3	40 °C
	20 A 250 V AC Capacitor 200 μ F (IEC60669-1 compliant)	5×10^3	40 °C

■ CSA (Approved)

CSA standard approved by C-UL

INSULATION CHARACTERISTICS (IEC61810-1)

Item	Characteristics
Clearance/Creepage distance (IEC61810-1)	9.5 mm / 12.7 mm
Category of protection (IEC61810-1)	RT II
Tracking resistance (IEC60112)	175 V
Insulation material group	III a
Over voltage category	III
Rated voltage	250 V
Pollution degree	2
Type of insulation (Between contact and coil)	4,000 V
Type of insulation (Between open contacts)	1,500 V

Note: Actual value

GUIDELINES FOR USAGE

■ For cautions for use, please read " GUIDELINES FOR RELAY USAGE ".
https://industrial.panasonic.com/ac/e/control/relay/cautions_use/index.jsp

■ Cautions for usage of DJ-H relay

● Set and reset pulse time

Regarding the set/reset pulse time of the latching type relay, it is recommended to apply rated voltage for minimum 100 ms pulse across the coil to secure the sure operation considering the ambient temperature and condition change through service life.

- For cautions for use, please read " GUIDELINES FOR RELAY USAGE ".
https://industrial.panasonic.com/ac/e/control/relay/cautions_use/index.jsp

Precautions for Coil Input

■ Long term current carrying

A circuit that will be carrying a current continuously for long periods without relay switching operation. (circuits for emergency lamps, alarm devices and error inspection that, for example, revert only during malfunction and output warnings with form B contacts) Continuous, long-term current to the coil will facilitate deterioration of coil insulation and characteristics due to heating of the coil itself. For circuits such as these, please use a magnetic-hold type latching relay. If you need to use a single stable relay, use a sealed type relay that is not easily affected by ambient conditions and make a failsafe circuit design that considers the possibility of contact failure or disconnection.

■ DC Coil operating power

Steady state DC current should be applied to the coil. The wave form should be rectangular. If it includes ripple, the ripple factor should be less than 5 %. However, please check with the actual circuit since the electrical characteristics may vary. The rated coil voltage should be applied to the coil and the set/reset pulse time of latching type relay differs for each relays, please refer to the relay's individual specifications.

■ Coil connection

When connecting coils of polarized relays, please check coil polarity (+ , -) at the internal connection diagram (Schematic). If any wrong connection is made, it may cause unexpected malfunction, like abnormal heat, fire and so on, and circuit do not work. Avoid impressing voltages to the set coil and reset coil at the same time.

■ Maximum allowable voltage and temperature rise

Proper usage requires that the rated coil voltage be impressed on the coil. Note, however, that if a voltage greater than or equal to the maximum continuous voltage is impressed on the coil, the coil may burn or its layers short due to the temperature rise. Furthermore, do not exceed the usable ambient temperature range listed in the catalog.

● Operate voltage change due to coil temperature rise

In DC relays, after continuous passage of current in the coil, if the current is turned OFF, then immediately turned ON again, due to the temperature rise in the coil, the operate voltage will become somewhat higher. Also, it will be the same as using it in a higher temperature atmosphere. The resistance/temperature relationship for copper wire is about 0.4 % for 1 °C, and with this ratio the coil resistance increases. That is, in order to operate of the relay, it is necessary that the voltage be higher than the operate voltage and the operate voltage rises in accordance with the increase in the resistance value. However, for some polarized relays, this rate of change is considerably smaller.

Ambient Environment

Usage, Transport, and Storage Conditions

During usage, storage, or transportation, avoid locations subjected to direct sunlight and maintain normal temperature, humidity and pressure conditions.

Temperature/Humidity/Pressure

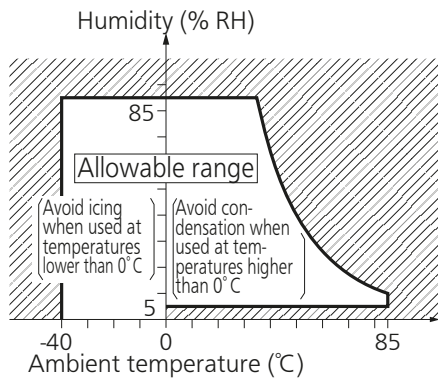
When transporting or storing relays while they are tube packaged, there are cases the temperature may differ from the allowable range. In this case be sure to check the individual specifications.

Also allowable humidity level is influenced by temperature, please check charts shown below and use relays within mentioned conditions. (Allowable temperature values differ for each relays, please refer to the relay's individual specifications.)

1) Temperature:

The tolerance temperature range differs for each relays, please refer to the relay's individual specifications

2) Humidity: 5 to 85 % RH



3) Pressure: 86 to 106 kPa

Dew condensation

Condensation occurs when the ambient temperature drops suddenly from a high temperature and humidity, or the relay is suddenly transferred from a low ambient temperature to a high temperature and humidity.

Condensation causes the failures like insulation deterioration, wire disconnection and rust etc.

Panasonic Industry Co., Ltd. does not guarantee the failures caused by condensation.

The heat conduction by the equipment may accelerate the cooling of device itself, and the condensation may occur.

Please conduct product evaluations in the worst condition of the actual usage. (Special attention should be paid when high temperature heating parts are close to the device. Also please consider the condensation may occur inside of the device.)

Icing

Condensation or other moisture may freeze on relays when the temperature become lower than 0 °C. This icing causes the sticking of movable portion, the operation delay and the contact conduction failure etc. Panasonic Industry Co., Ltd. does not guarantee the failures caused by the icing.

The heat conduction by the equipment may accelerate the cooling of relay itself and the icing may occur. Please conduct product evaluations in the worst condition of the actual usage.

Low temperature and low humidity

The plastic becomes brittle if the relay is exposed to a low temperature, low humidity environment for long periods of time.

High temperature and high humidity

Storage for extended periods of time (including transportation periods) at high temperature or high humidity levels or in atmospheres with organic gases or sulfide gases may cause a sulfide film or oxide film to form on the surfaces of the contacts and/or it may interfere with the functions. Check out the atmosphere in which the units are to be stored and transported.

Package

In terms of the packing format used, make every effort to keep the effects of moisture, organic gases and sulfide gases to the absolute minimum.

Silicon

When a source of silicone substances (silicone rubber, silicone oil, silicone coating materials and silicone filling materials etc.) is used around the relay, the silicone gas (low molecular siloxane etc.) may be produced.

This silicone gas may penetrate into the inside of the relay. When the relay is kept and used in this condition, silicone compound may adhere to the relay contacts which may cause the contact failure. Do not use any sources of silicone gas around the relay (Including plastic sealed types).

NOx Generation

When relay is used in an atmosphere high in humidity to switch a load which easily produces an arc, the NOx created by the arc and the water absorbed from outside the relay combine to produce nitric acid.

This corrodes the internal metal parts and adversely affects operation.

Avoid use at an ambient humidity of 85 % RH or higher (at 20 °C). If use at high humidity is unavoidable, please contact our sales representative.

Others

■ Cleaning

- Although the environmentally sealed type relay (plastic sealed type, etc.) can be cleaned, avoid immersing the relay into cold liquid (such as cleaning solvent) immediately after soldering. Doing so may deteriorate the sealing performance.
- Cleaning with the boiling method is recommended (The temperature of cleaning liquid should be 40 °C or lower). Avoid ultrasonic cleaning on relays. Use of ultrasonic cleaning may cause breaks in the coil or slight sticking of the contacts due to ultrasonic energy.

Please refer to "**the latest product specifications**" when designing your product.

- Requests to customers:

<https://industrial.panasonic.com/ac/e/salespolicies/>

■ Global Sales Network Information: industrial.panasonic.com/ac/e/salesnetwork

Panasonic
INDUSTRY

Panasonic Industry Co., Ltd.

Electromechanical Control Business Division

■ 1006, Oaza Kadoma, Kadoma-shi, Osaka 571-8506, Japan
industrial.panasonic.com/ac/e/