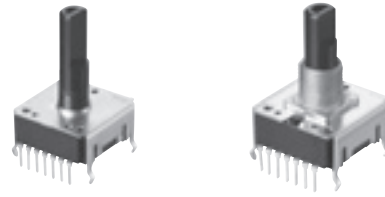


## 18 mm Square Encoders (High Rotational Torque)

Type: **EVQW**



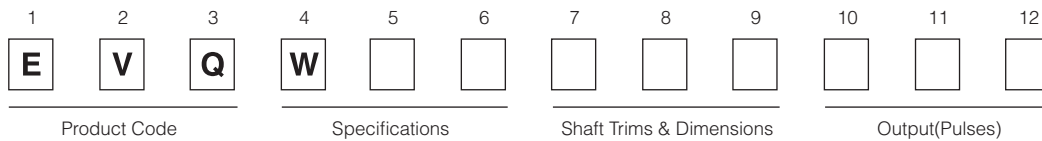
### ■ Features

- External dimensions : 18.0 mm×18.0 mm, Height 8.0 mm
- Absolute 5 bit available

### ■ Recommended Applications

- Function switching/adjusting for control panels of car air conditioners
- Signal input for monitors and audio/visual equipment

### ■ Explanation of Part Numbers

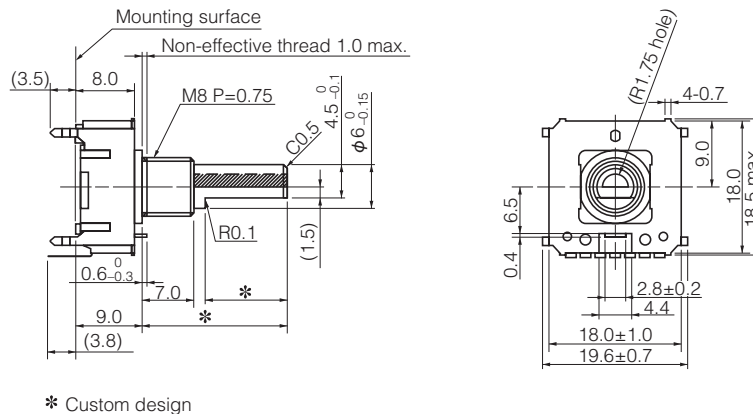


### ■ Specifications

Type	Top Adjustment type, with or without bushing	
Mechanical	Rotation Angle	360 ° (Endless)
	Shaft Pull/Push Strength	80 N min.
	Shaft Wobble	0.7×L/30 (mm) max.
	Rotation Torque	20 mN·m to 100 mN·m
	Detent Pitch	10 ° to 30 °
Electrical	Output Signals	Gray code
	Resolution	Absolute 5 bit (Custom design of 6 bit max. available)
	Rating	5 mA 10 VDC
	Contact Resistance	1 Ω max.
	Chattering	2 ms max.
	Insulation Resistance	100 MΩ min. (at 250 VDC)
	Dielectric Withstanding Voltage	300 VAC for 1 minute
Endurance	Bouncing	5 ms max.
	Rotation Life	15,000 cycles min.
Minimum Quantity / Packing Unit		80 pcs. (Tray Pack)
Quantity / Carton		800 pcs.

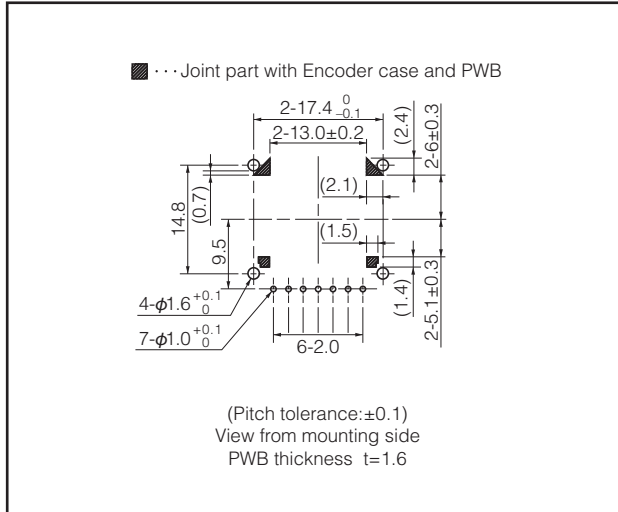
### ■ Dimensions in mm (not to scale)

General dimension tolerance : ± 0.5  
( ) dimensions are reference dimensions.

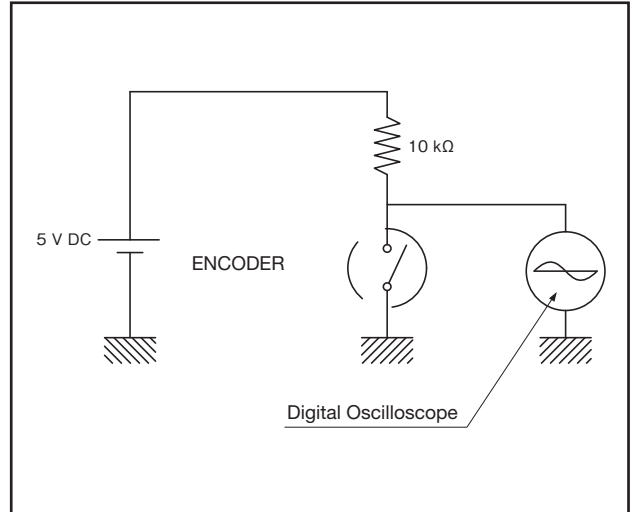


Design and specifications are each subject to change without notice. Ask factory for the current technical specifications before purchase and/or use.  
Should a safety concern arise regarding this product, please be sure to contact us immediately.

## ■ PWB mounting hole for reference



## ■ Test Circuit Diagram



Design and specifications are each subject to change without notice. Ask factory for the current technical specifications before purchase and/or use. Should a safety concern arise regarding this product, please be sure to contact us immediately.