

60/40 mm Center Space Encoders

Type: **EVQV0**



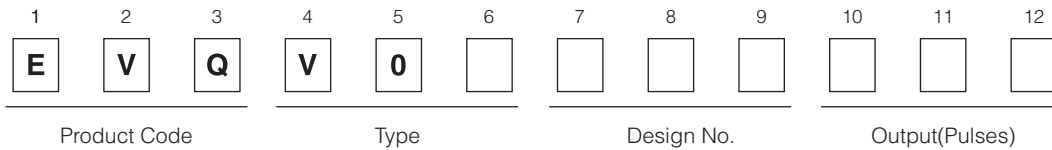
■ Features

- Multiple unit construction (achieved by mounting switches, LEDs, etc.) (center space) on the printed wiring board
- Good operability and high reliability

■ Recommended Applications

- Car audio products (adjustment of volume, tone, tuners, etc.)
- AV equipment (control of edit functions of VCRs, CD players, etc.)

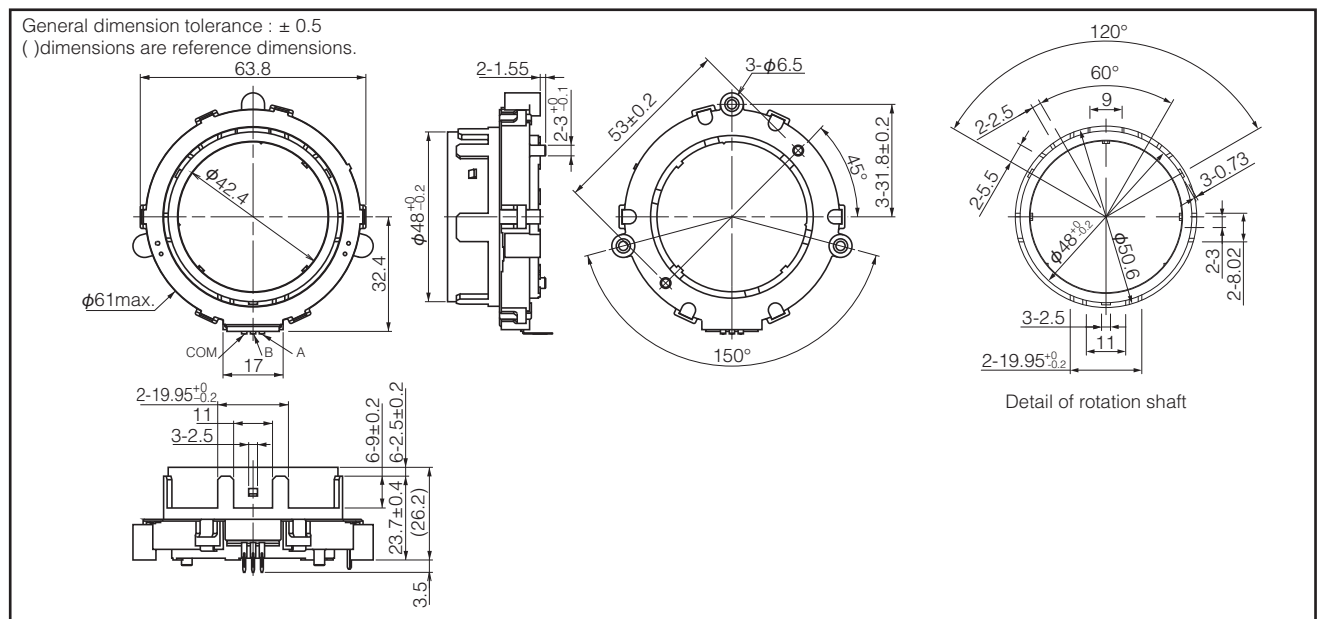
■ Explanation of Part Numbers



■ Specifications

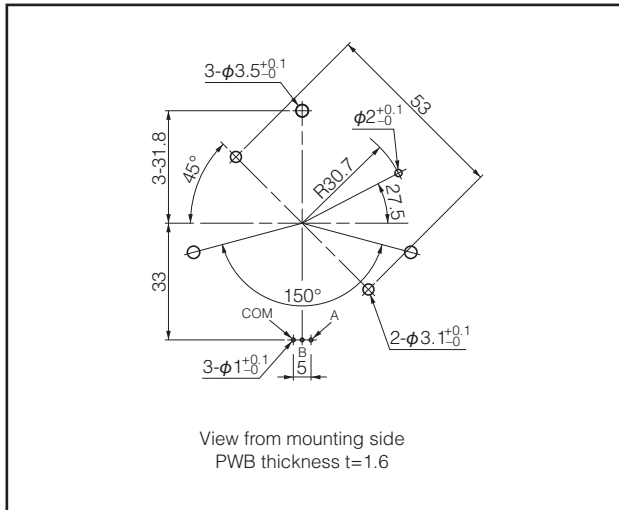
Mechanical	Rotation Angle	360 ° (Endless)
	Rotation Torque (Detents Torque)	35 mN·m
	Detents	30 points
Electrical	Output Signal	Phase A and B
	Resolution	15 pulses/360 °
	Rating	1 mA 10 V DC
	Contact Resistance	1 Ω max.
	Chattering	5 ms max.
	Insulation Resistance	50 mΩ min. (at 250 V DC)
Endurance	Dielectric Withstanding Voltage	300 V AC for 1 minute
	Rotation Life	30,000 cycles min.
Minimum Quantity/Packing Unit		20 pcs. (Tray Pack)
Quantity/Carton		100 pcs.

■ Dimensions in mm (not to scale)

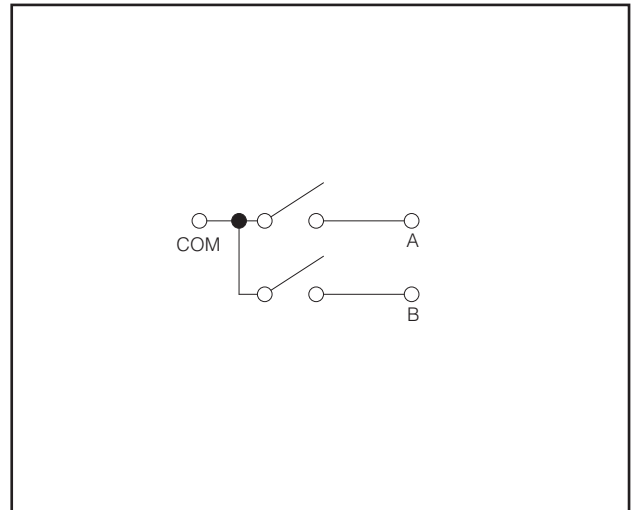


Design and specifications are each subject to change without notice. Ask factory for the current technical specifications before purchase and/or use. Should a safety concern arise regarding this product, please be sure to contact us immediately.

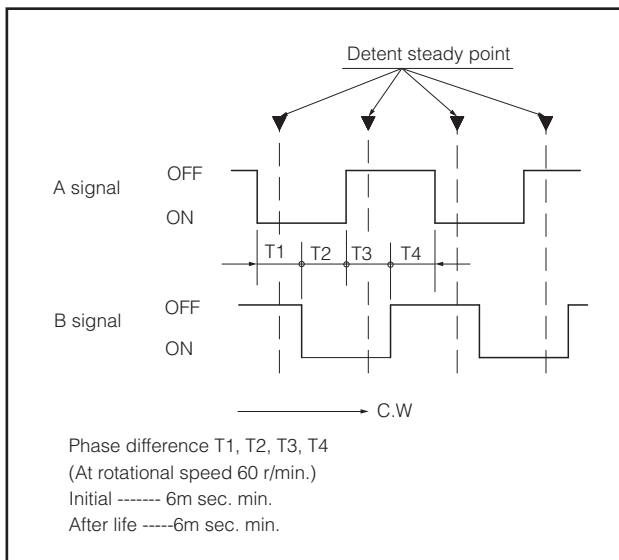
■ PWB mounting hole for reference



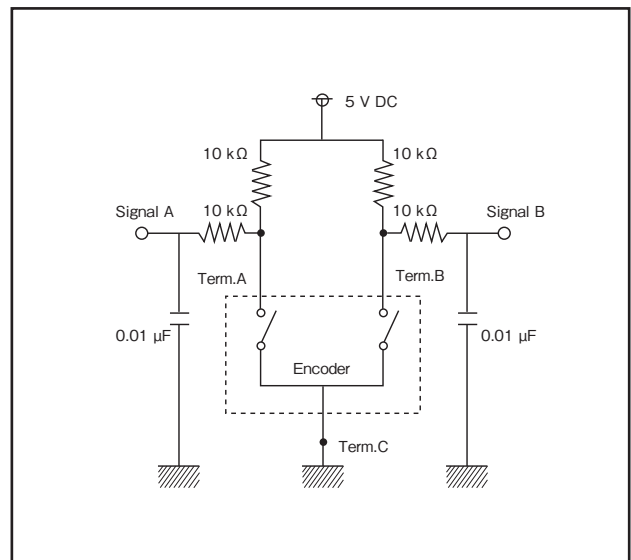
■ Circuit Diagram



■ Phase Difference



■ Test Circuit Diagram



Design and specifications are each subject to change without notice. Ask factory for the current technical specifications before purchase and/or use.
Should a safety concern arise regarding this product, please be sure to contact us immediately.