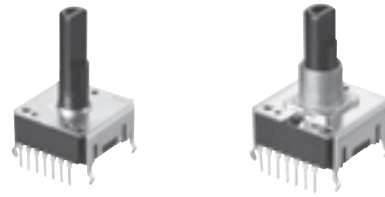


18 mm Square Rotary Potentiometers (High Rotational Torque)

Type: **EVCX**



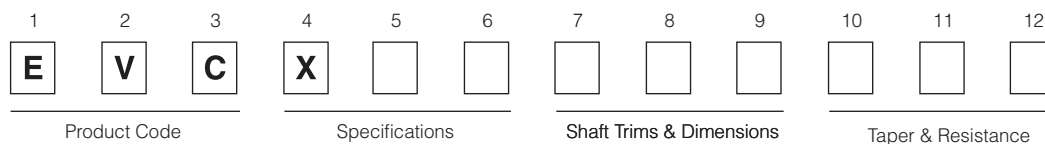
■ Features

- External dimensions: 18.0 mm×18.0 mm, Height 8.0 mm
- Output accuracy (±3 %)

■ Recommended Applications

- Function switching/adjusting for control panels of car air conditioners
- Signal input for monitors, audio/visual equipment

■ Explanation of Part Numbers



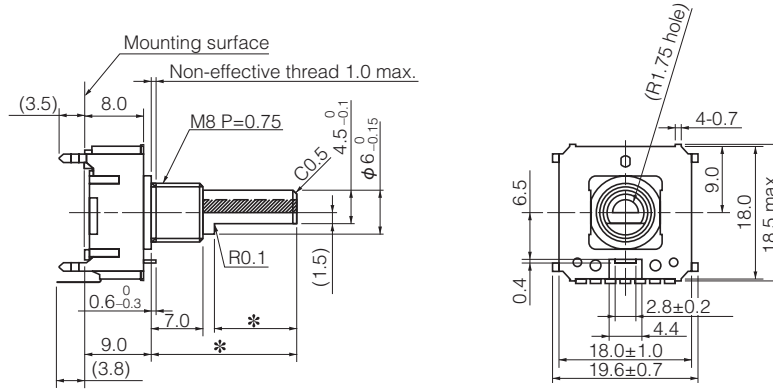
■ Specifications

Type	Top Adjustment type, with or without bushing	
Mechanical	Rotation Angle	280 °
	Rotation Torque	20 mN·m to 100 mN·m
	Detent Pitch	10 ° to 30 °
	Shaft Stopper Strength	0.8 N·m min.
Electrical	Nominal Total Resistance	5 kΩ to 100 kΩ (Tolerance ±20 %)
	Power Rating	0.05 W
	Potentiometers Type	Single, Dual
	Insulation Resistance	100 MΩ min. at 250 V DC
	Dielectric Withstand Voltage	300 V AC for 1 minute
	Noise Level	100 mV max.
Endurance	Operating Life	15,000 cycles min.
Minimum Quantity/Packing Unit		80 pcs. (Tray Pack)
Quantity/Carton		800 pcs.

Design and specifications are each subject to change without notice. Ask factory for the current technical specifications before purchase and/or use.
Should a safety concern arise regarding this product, please be sure to contact us immediately.

■ Dimensions in mm (not to scale)

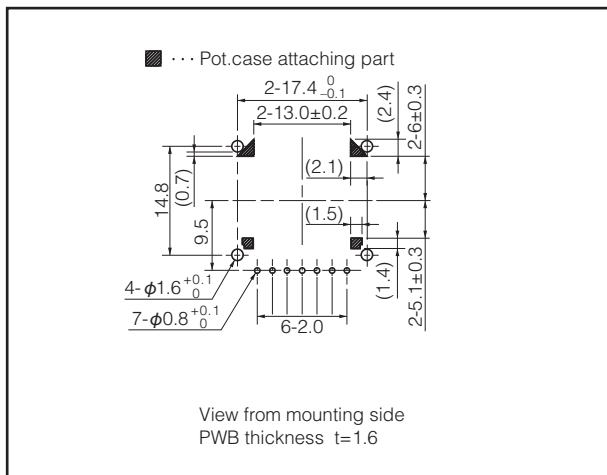
General dimension tolerance : ± 0.5
 () dimensions are reference dimensions.



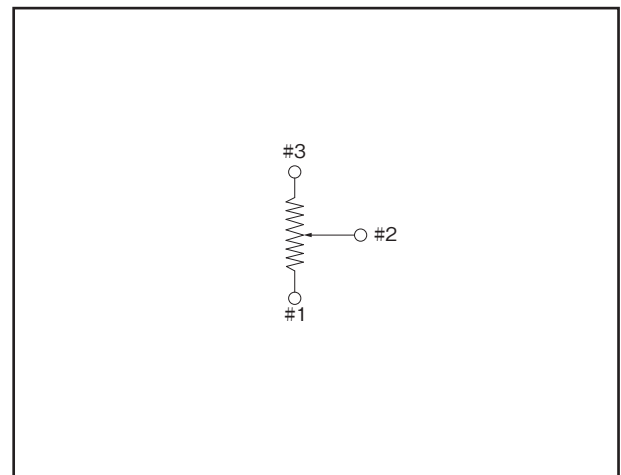
* Custom design

■ PWB mounting hole for reference

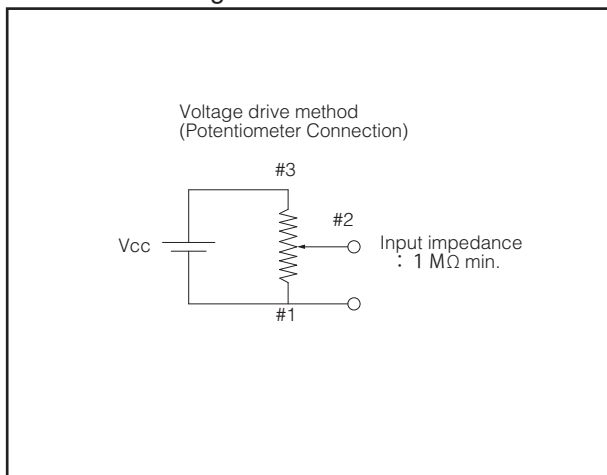
(Pitch tolerance: ± 0.1)



■ Circuit diagram



■ Test circuit diagram



Design and specifications are each subject to change without notice. Ask factory for the current technical specifications before purchase and/or use.
 Should a safety concern arise regarding this product, please be sure to contact us immediately.