

Panasonic Industrial Company

Air Conditioning Department

2P14S3R126B-1A

115 V, 60 Hz R-22

2P14S3R126B-1A

Application	Cooling (C) / Heating (H)	
Ref. Charge Limit (C/H)	24.0 oz.	680 g
	(C) 28.2 oz.	800 g
Evap. Temp. Range (C/H)	5°F to 53.6°F	-15°C to 12°C
	(C) 14°F to 53.64°F	-10°C to 12°C
Specification Number	SC-52170671-B	

Rated Performance¹

Capacity	9,165 Btu/hr
Motor Input	852 Watts
Current	7.5 Amperes
E.E.R.	10.76 Btu/hr/ W

Compressor Data

Pump Type	Rotary	
Displacement	13.2 cc/rev	
Oil	ATMOS M60 or equivalent	
Oil Charge (Precharged)	9.1 fl. oz.	270cc
Net Weight	26.0 lb	11.8 kg

Motor Data

Motor Type	Permanent Split Capacitor	
Locked Rotor Amperes	49 A at 120 V	
Winding Resistance	Main: 0.777Ω, Aux: 2.252Ω	
Max. Continuous Current ²		

Maximum Operating Conditions

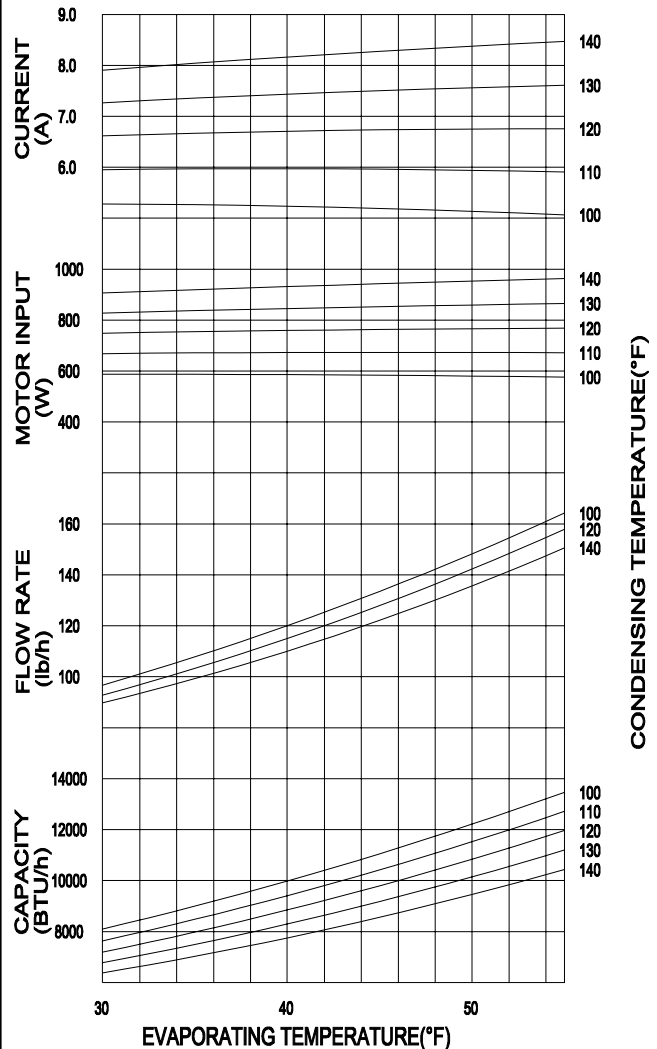
Condensing Temp.	149°F	65°C
Return Gas Temp.	95°F	35°C
Discharge Gas Temp.	239°F	115°C
Motor Wire Temp.	266°F	130°C

Electrical Components

Overload Protector	7100031	
Texas Instrument part #	MRA 98694	
Run Capacitor	40 μF/250 VAC	

¹Rated @ASHRAE/T Conditions

Evaporating Temp.	45°F	7.2°C
Condensing Temp.	130°F	54.4°C
Return Gas Temp.	95°F	35.0°C
Liquid Temp.	115°F	46.1°C
Ambient Temp.	95°F	35.0°C



Performance Data

Based on:

Return gas Temp.	95°F	35.0°C
Liquid sub-cooling	15°F	8.3°C
Ambient	95°F	35.0°C

COND. TEMP.

100°F	110°F	120°F	130°F	140°F
37.8°C	43.3°C	48.9°C	54.4°C	60°C

EVAP. TEMP.

35° F 1.7°C	Btu/hr	9000	8475	7965	7475	7000
	Watts	585	670	755	835	920
	Amperes	5.2	5.9	6.6	7.3	8.0

45° F 7.2°C	Btu/hr	11065	10425	9795	9165	8545
	Watts	580	670	760	852	940
	Amperes	5.1	5.9	6.7	7.5	8.2

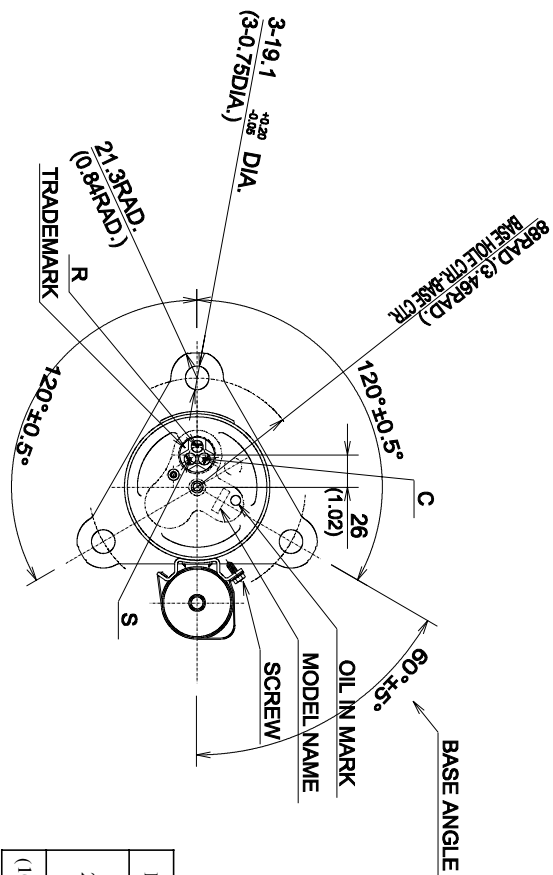
55° F 12.8°C	Btu/hr	13490	12735	11970	11205	10425
	Watts	575	670	765	865	960
	Amperes	5.0	5.9	6.7	7.6	8.4

BTU 9,000

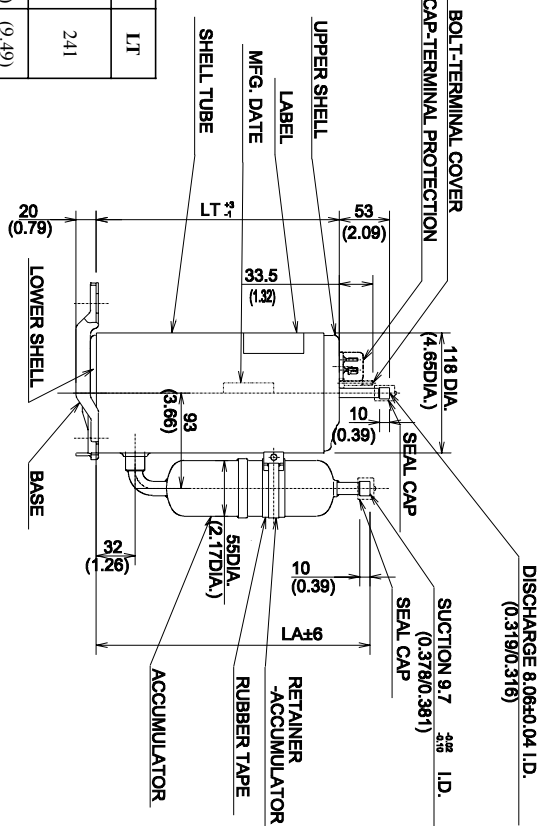
2P14S3R126B-1A

115 V, 60 Hz R-22

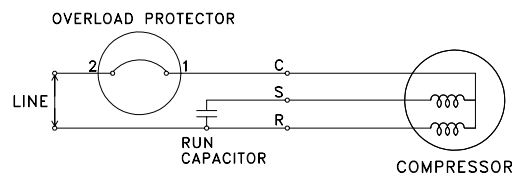
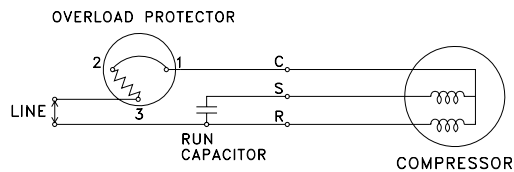
BTU 9,000



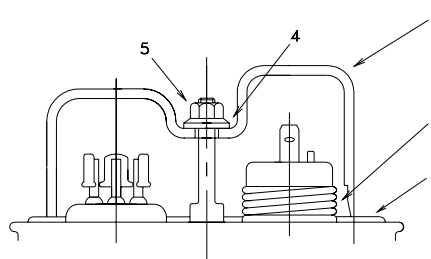
L/A	260	LT	241
	(10.24)		(9.49)



WIRING DIAGRAM

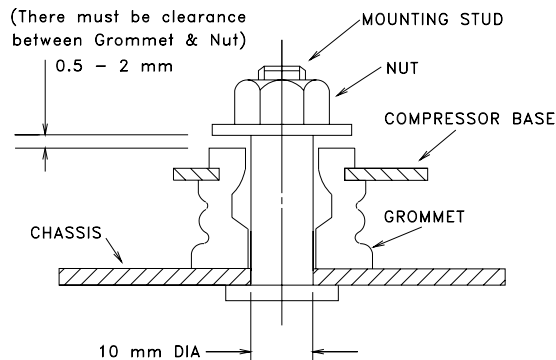


COMPRESSOR ACCESSORIES



Accessories	Part Number
1 Gasket-Terminal Cover	7070620U
2 Spring-OLP hold down	7041200
3 Terminal Cover	7070219U
4 Gasket-Nut	7070621U
5 Nut-Terminal Cover	7080300
Grommet	7070815

COMPRESSOR MOUNTING



Panasonic Industrial Company

Air Conditioning Department

2P14S3R236A-1A

208/230 V, 60 Hz R-22

2P14S3R236A-1A

Application	Cooling (C) / Heating (H)	
Ref. Charge Limit (C/H)	24.0 oz.	680 g
	(C)	28.2 oz. 800 g
Evap. Temp. Range (C/H)	5°F to 53.6°F	-15°C to 12°C
	(C)	14°F to 53.6°F -10°C to 12°C
Specification Number	SC-52170447-B	

Rated Performance @230V¹

Capacity	9,165 Btu/hr
Motor Input	844 Watts
Current	3.8 Amperes
E.E.R.	10.86 Btu/hr/ W

Compressor Data

Pump Type	Rotary	
Displacement	13.2 cc/rev	
Oil	ATMOS M60 or equivalent	
Oil Charge (Precharged)	9.1 fl. oz.	270 cc
Net Weight	26.7 lb	12.1 kg

Motor Data

Motor Type	Permanent Split Capacitor	
Locked Rotor Amperes	26 A at 240 V	
Winding Resistance	Main: 2.764Ω, Aux: 1.681Ω	
Max. Continuous Current ²		

Maximum Operating Conditions

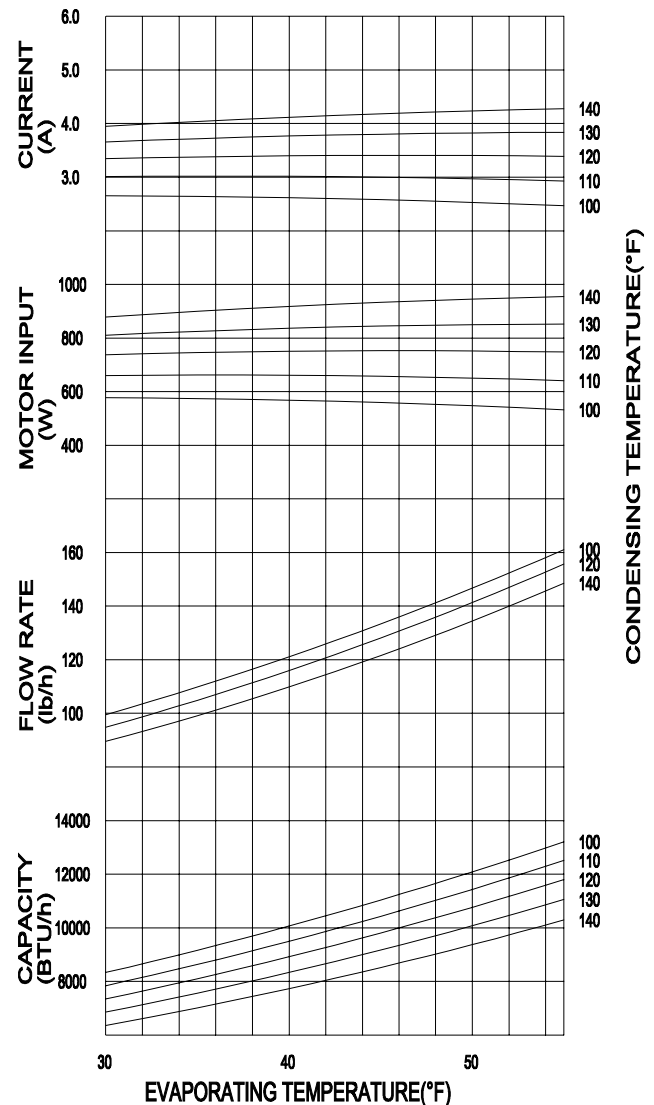
Condensing Temp.	149°F	65°C
Return Gas Temp.	95°F	35°C
Discharge Gas Temp.	239°F	115°C
Motor Wire Temp.	266°F	130°C

Electrical Components

Overload Protector	7100553	
Texas Instrument part #	MRA 99027	
Run Capacitor	30 μF/300 VAC	

¹Rated @ASHRAE/T Conditions

Evaporating Temp.	45°F	7.2°C
Condensing Temp.	130°F	54.4°C
Return Gas Temp.	95°F	35.0°C
Liquid Temp.	115°F	46.1°C
Ambient Temp.	95°F	35.0°C



BTU 9,000

Performance Data @230V

Based on:

Return gas Temp.	95°F	35.0°C
Liquid sub-cooling	15°F	8.3°C
Ambient	95°F	35.0°C

COND. TEMP.

100°F	110°F	120°F	130°F	140°F
37.8°C	43.3°C	48.9°C	54.4°C	60°C

EVAP. TEMP.

35° F 1.7°C	Btu/hr	9170	8630	8090	7550	7010
	Watts	590	675	750	825	900
	Amperes	2.8	3.1	3.4	3.7	4.0

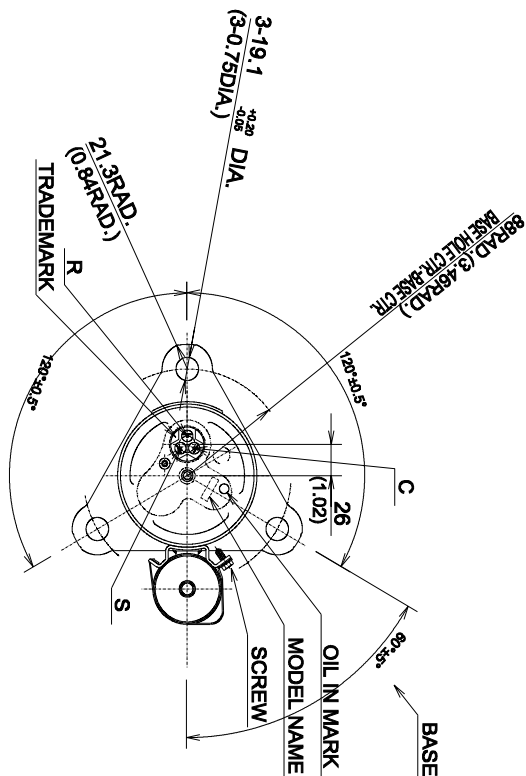
45° F 7.2°C	Btu/hr	11100	10460	9820	9170	8510
	Watts	580	670	760	845	925
	Amperes	2.7	3.1	3.4	3.8	4.2

55° F 12.8°C	Btu/hr	13350	12610	11860	11090	10310
	Watts	560	660	755	850	945
	Amperes	2.6	3.0	3.4	3.8	4.2

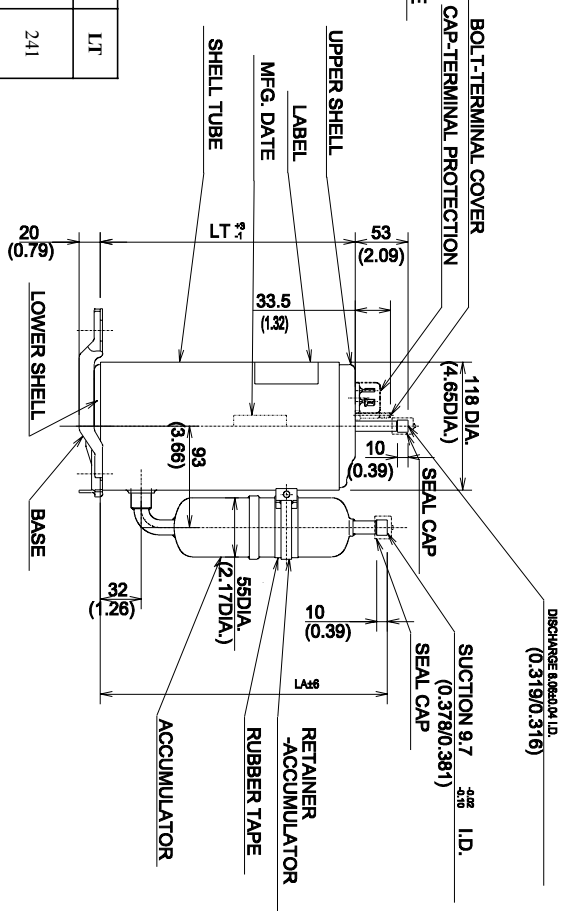
2P14S3R236A-1A

208/230 V, 60 Hz R-22

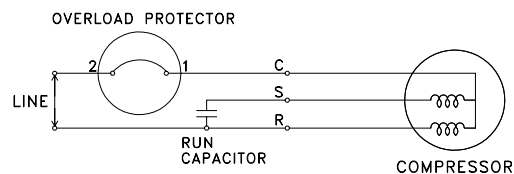
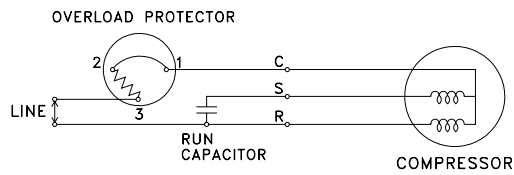
BTU 9,000



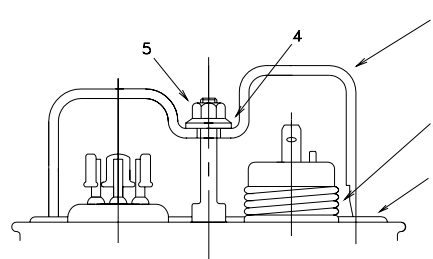
L/A	260	LT	241
	(10.24)		(9.49)



WIRING DIAGRAM

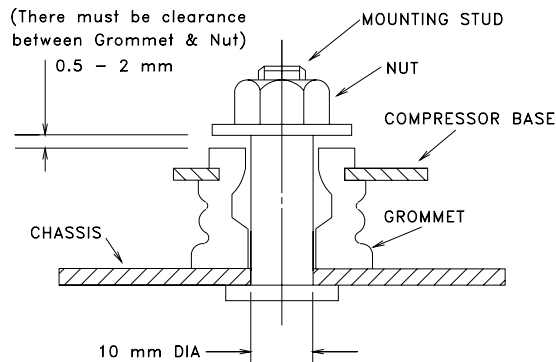


COMPRESSOR ACCESSORIES



Accessories	Part Number
1 Gasket-Terminal Cover	7070620U
2 Spring-OLP hold down	7041200
3 Terminal Cover	7070219U
4 Gasket-Nut	7070621U
5 Nut-Terminal Cover	7080300
Grommet	7070815

COMPRESSOR MOUNTING



This document sets forth certain operational parameters and conditions for operation of this product. If this product is operated outside of the parameters and conditions stated herein, buyer assumes sole and full responsibility and shall indemnify seller with respect to all product failures, and all consequences thereof. Operation of the product outside of the parameters and conditions specified herein shall serve to invalidate all seller warranties, if any, with respect to the product. Use this document as reference only. For specifications, please contact Panasonic's engineering department.

Panasonic Industrial Company

Air Conditioning Department

2P14S3R276A-1A

265/277 V, 60 Hz R-22

2P14S3R276A-1A

Application	Cooling (C) / Heating (H)	
Ref. Charge Limit (C/H)	24.0 oz.	680 g
	(C) 28.2 oz.	800 g
Evap. Temp. Range (C/H)	5°F to 53.6°F	-15°C to 12°C
	(C) 14°F to 53.6°F	-10°C to 12°C
Specification Number	SC-52170587-C	

Rated Performance @265V¹

Capacity	9,165 Btu/hr
Motor Input	845 Watts
Current	3.4 Amperes
E.E.R.	10.85 Btu/hr/ W

Compressor Data

Pump Type	Rotary	
Displacement	13.2 cc/rev	
Oil	ATMOS M60 or equivalent	
Oil Charge (Precharged)	9.1 fl. oz.	270 cc
Net Weight	26.5 lb	12.0 kg

Motor Data

Motor Type	Permanent Split Capacitor	
Locked Rotor Amperes	23 A at 277 V	
Winding Resistance	Main: 3.914Ω, Aux: 2.503Ω	
Max. Continuous Current ²		

Maximum Operating Conditions

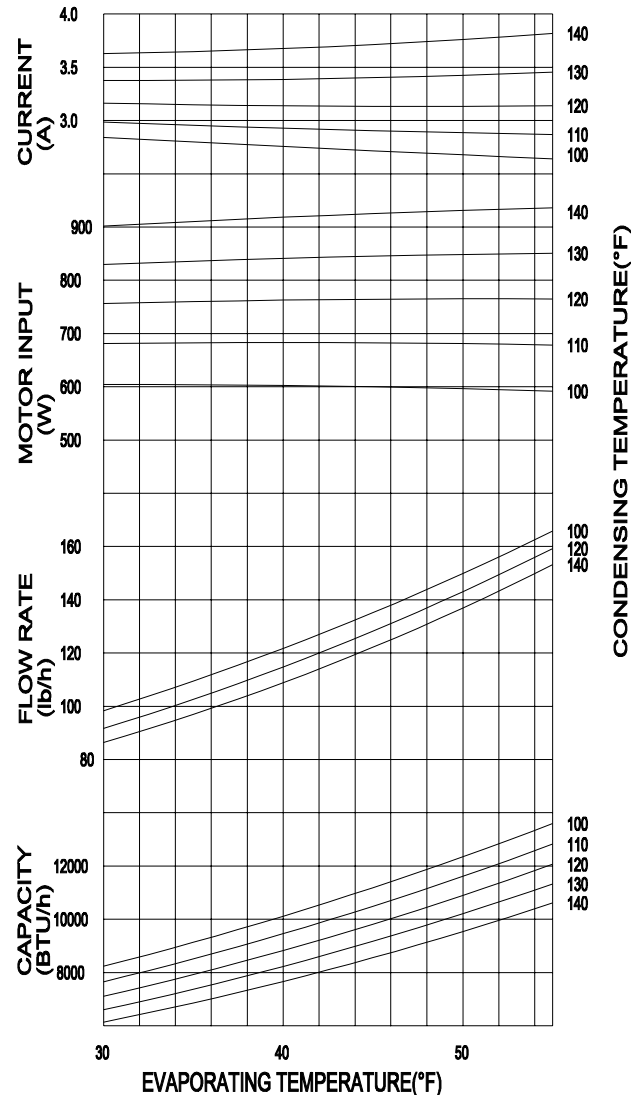
Condensing Temp.	149°F	65°C
Return Gas Temp.	95°F	35°C
Discharge Gas Temp.	239°F	115°C
Motor Wire Temp.	266°F	130°C

Electrical Components

Overload Protector	7100504, 7100523, 7100682	
Texas Instrument part #	MRA98852, MRA98967, MRA99209	
Run Capacitor	25 μF/370 VAC	

¹Rated @ASHRAE/T Conditions

Evaporating Temp.	45°F	7.2°C
Condensing Temp.	130°F	54.4°C
Return Gas Temp.	95°F	35.0°C
Liquid Temp.	115°F	46.1°C
Ambient Temp.	95°F	35.0°C



Performance Data @265V

Based on:

Return gas Temp.	95°F	35.0°C
Liquid sub-cooling	15°F	8.3°C
Ambient	95°F	35.0°C

COND. TEMP.

100°F	110°F	120°F	130°F	140°F
37.8°C	43.3°C	48.9°C	54.4°C	60°C

EVAP. TEMP.

35° F	Btu/hr	9125	8505	7915	7365	6850
	Watts	605	680	760	835	910
	Amperes	2.8	2.9	3.1	3.4	3.6

45° F	Btu/hr	11180	10480	9810	9165	8550
	Watts	600	680	765	845	925
	Amperes	2.7	2.9	3.1	3.4	3.7

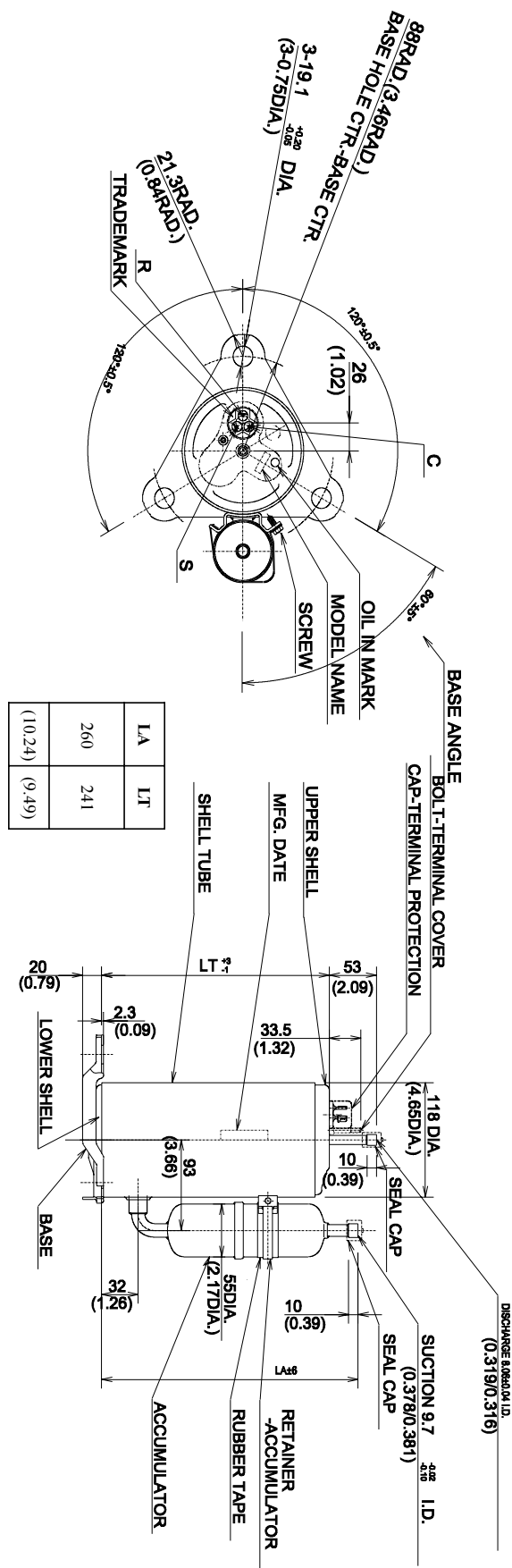
55° F	Btu/hr	13590	12815	12060	11325	10610
	Watts	590	680	765	850	935
	Amperes	2.6	2.9	3.4	3.4	3.8

BTU 9,000

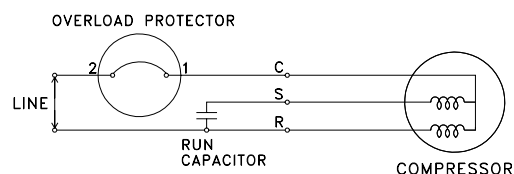
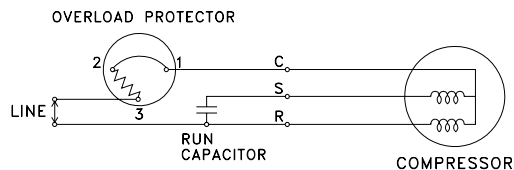
2P14S3R276A-1A

265/277 V, 60 Hz R-22

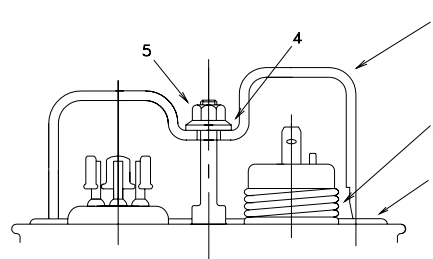
BTU 9,000



WIRING DIAGRAM

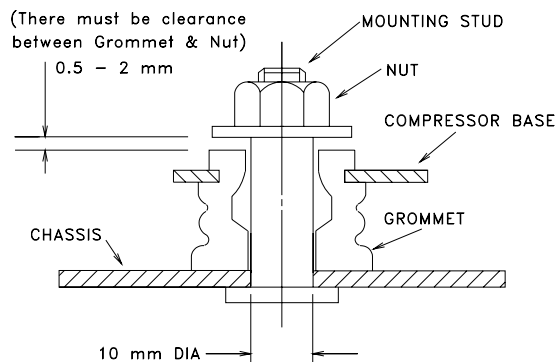


COMPRESSOR ACCESSORIES



Accessories	Part Number
1 Gasket-Terminal Cover	7070620U
2 Spring-OLP hold down	7041200
3 Terminal Cover	7070219U
4 Gasket-Nut	7070621U
5 Nut-Terminal Cover	7080300
Grommet	7070815

COMPRESSOR MOUNTING



This document sets forth certain operational parameters and conditions for operation of this product. If this product is operated outside of the parameters and conditions stated herein, buyer assumes sole and full responsibility and shall indemnify seller with respect to all product failures, and all consequences thereof. Operation of the product outside of the parameters and conditions specified herein shall serve to invalidate all seller warranties, if any, with respect to the product. Use this document as reference only. For specifications, please contact Panasonic's engineering department.

Panasonic Industrial Company

Air Conditioning Department

2P14S3R276A-1A

265/277 V, 60 Hz R-22

2P14S3R276A-1A

Application	Cooling (C) / Heating (H)	
Ref. Charge Limit (C/H)	24.0 oz.	680 g
	(C) 28.2 oz.	800 g
Evap. Temp. Range (C/H)	5°F to 53.6°F	-15°C to 12°C
	(C) 14°F to 53.6°F	-10°C to 12°C
Specification Number	SC-52170587-C	

Rated Performance @265V¹

Capacity	9,165 Btu/hr
Motor Input	845 Watts
Current	3.4 Amperes
E.E.R.	10.85 Btu/hr/ W

Compressor Data

Pump Type	Rotary	
Displacement	13.2 cc/rev	
Oil	ATMOS M60 or equivalent	
Oil Charge (Precharged)	9.1 fl. oz.	270 cc
Net Weight	26.5 lb	12.0 kg

Motor Data

Motor Type	Permanent Split Capacitor	
Locked Rotor Amperes	23 A at 277 V	
Winding Resistance	Main: 3.914Ω, Aux: 2.503Ω	
Max. Continuous Current ²		

Maximum Operating Conditions

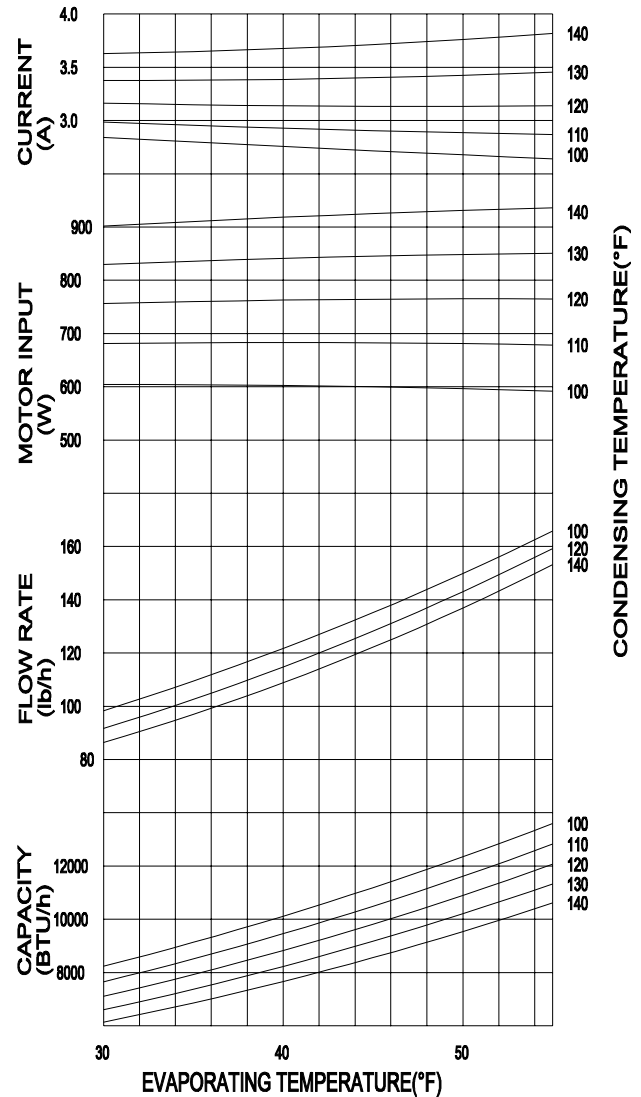
Condensing Temp.	149°F	65°C
Return Gas Temp.	95°F	35°C
Discharge Gas Temp.	239°F	115°C
Motor Wire Temp.	266°F	130°C

Electrical Components

Overload Protector	7100504, 7100523, 7100682	
Texas Instrument part #	MRA98852, MRA98967, MRA99209	
Run Capacitor	25 μF/370 VAC	

¹Rated @ASHRAE/T Conditions

Evaporating Temp.	45°F	7.2°C
Condensing Temp.	130°F	54.4°C
Return Gas Temp.	95°F	35.0°C
Liquid Temp.	115°F	46.1°C
Ambient Temp.	95°F	35.0°C



Performance Data @265V

Based on:

Return gas Temp.	95°F	35.0°C
Liquid sub-cooling	15°F	8.3°C
Ambient	95°F	35.0°C

COND. TEMP.

100°F	110°F	120°F	130°F	140°F
37.8°C	43.3°C	48.9°C	54.4°C	60°C

EVAP. TEMP.

35° F	Btu/hr	9125	8505	7915	7365	6850
	Watts	605	680	760	835	910
	Amperes	2.8	2.9	3.1	3.4	3.6

45° F	Btu/hr	11180	10480	9810	9165	8550
	Watts	600	680	765	845	925
	Amperes	2.7	2.9	3.1	3.4	3.7

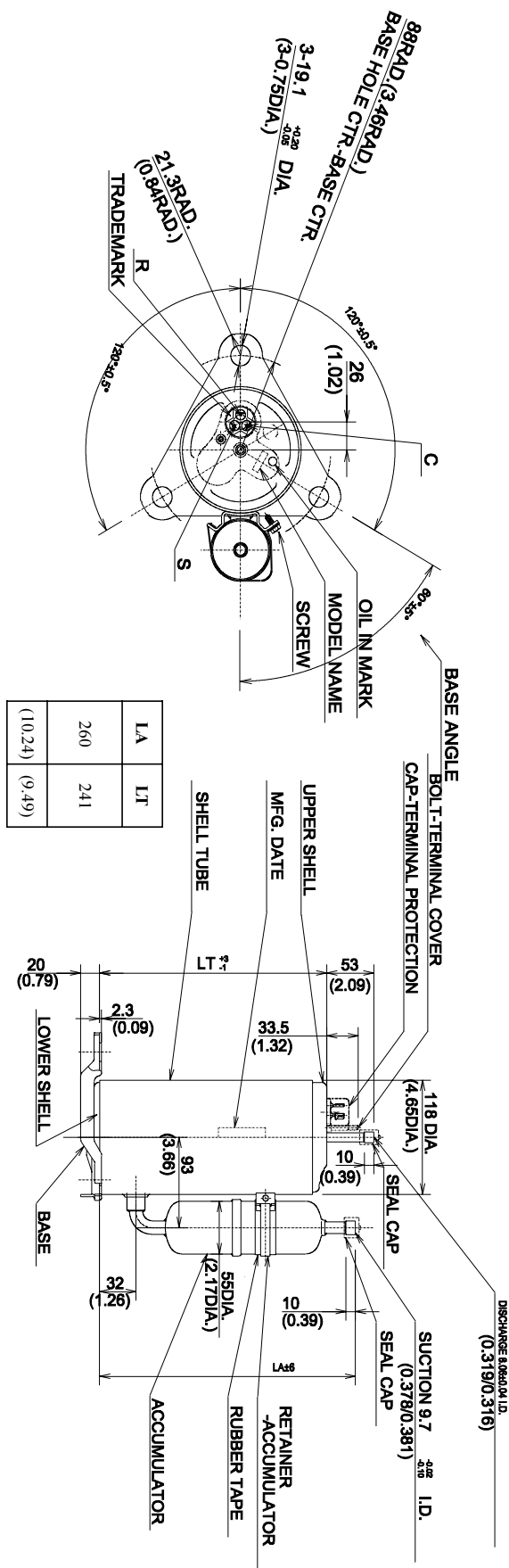
55° F	Btu/hr	13590	12815	12060	11325	10610
	Watts	590	680	765	850	935
	Amperes	2.6	2.9	3.4	3.4	3.8

BTU 9,000

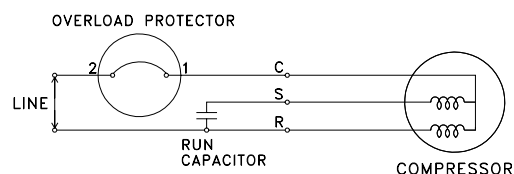
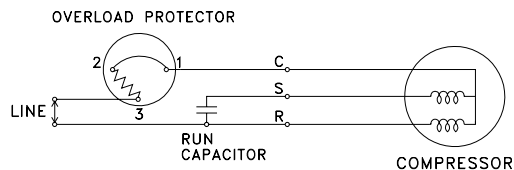
2P14S3R276A-1A

265/277 V, 60 Hz R-22

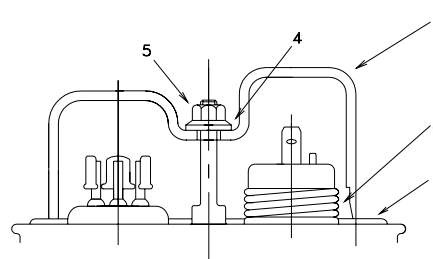
BTU 9,000



WIRING DIAGRAM

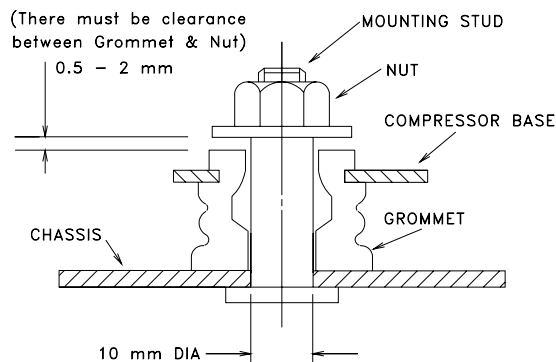


COMPRESSOR ACCESSORIES



Accessories	Part Number
1 Gasket-Terminal Cover	7070620U
2 Spring-OLP hold down	7041200
3 Terminal Cover	7070219U
4 Gasket-Nut	7070621U
5 Nut-Terminal Cover	7080300
Grommet	7070815

COMPRESSOR MOUNTING



This document sets forth certain operational parameters and conditions for operation of this product. If this product is operated outside of the parameters and conditions stated herein, buyer assumes sole and full responsibility and shall indemnify seller with respect to all product failures, and all consequences thereof. Operation of the product outside of the parameters and conditions specified herein shall serve to invalidate all seller warranties, if any, with respect to the product. Use this document as reference only. For specifications, please contact Panasonic's engineering department.

Panasonic Industrial Company

Air Conditioning Department

2P15S126B-1K

115 V, 60 Hz R-22

2P15S126B-1K

Application	Cooling (C) / Heating (H)	
Ref. Charge Limit (C/H)	24.0 oz.	680g
	(C) 28.2 oz.	800 g
Evap. Temp. Range(C/H)	5°F to 53.6°F	-15°C to 12°C
	(C) 14°F to 53.6°F	-10°C to 12°C
Specification Number	SC-52171698-A	

Rated Performance¹

Capacity	10,120 Btu/hr
Motor Input	950 Watts
Current	8.30 Amperes
E.E.R.	10.65 Btu/hr/ W

Compressor Data

Pump Type	Rotary	
Displacement	14.70 cc/rev	
Oil	ATMOS M60 or equivalent	
Oil Charge (Precharged)	9.1 fl. oz.	270 cc
Net Weight	25.4 lb	11.5 kg

Motor Data

Motor Type	Permanent Split Capacitor	
Locked Rotor Amperes	53 A at 120 V	
Winding Resistance	Main: 0.698Ω, Aux: 2.261Ω	
Max. Continuous Current ²		

Maximum Operating Conditions

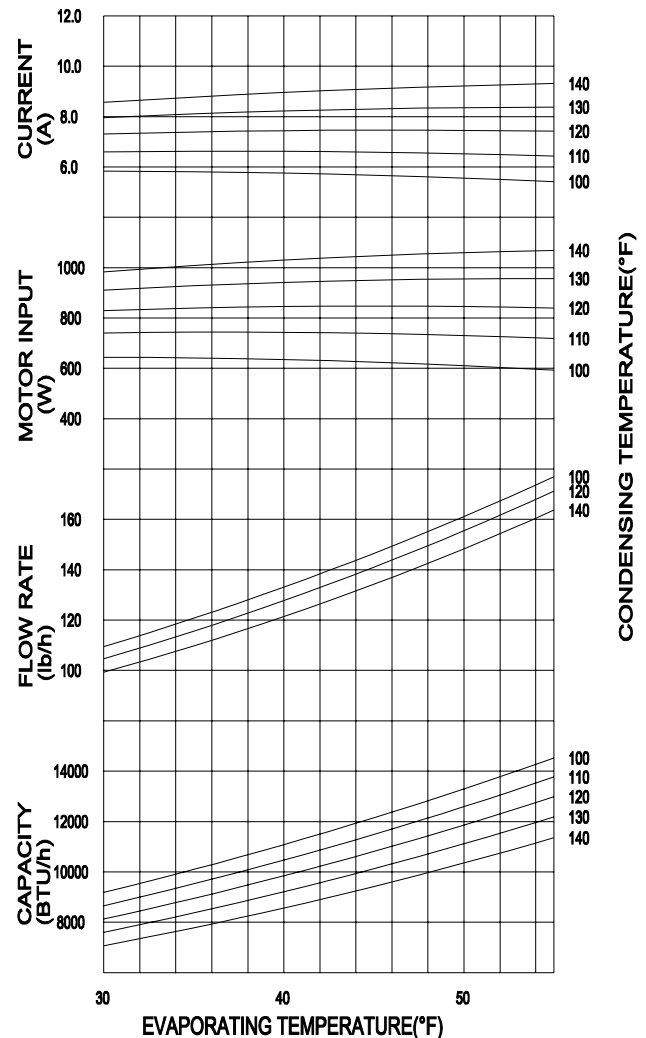
Condensing Temp.	149°F	65°C
Return Gas Temp.	95°F	35°C
Discharge Gas Temp.	239°F	115°C
Motor Wire Temp.	266°F	130°C

Electrical Components

Overload Protector	7100032	
Texas Instrument part #	MRA98695	
Run Capacitor	40 μF/250 VAC	

¹Rated @ ASHRAE/T Conditions

Evaporating Temp.	45°F	7.2°C
Condensing Temp.	130°F	54.4°C
Return Gas Temp.	95°F	35.0°C
Liquid Temp.	115°F	46.1°C
Ambient Temp.	95°F	35.0°C



Performance Data

Based on:

Return gas Temp.	95°F	35.0°C
Liquid sub-cooling	15°F	8.3°C
Ambient	95°F	35.0°C

COND. TEMP.

100°F	110°F	120°F	130°F	140°F
37.8°C	43.3°C	48.9°C	54.4°C	60°C

EVAP. TEMP.

35° F 1.7°C	Btu/hr	10090	9500	8945	8365	7780
	Watts	640	745	840	925	1010
	Amperes	5.8	6.6	7.4	8.1	8.8

45° F 7.2°C	Btu/hr	12145	11550	10810	10120	9415
	Watts	625	740	845	950	1045
	Amperes	5.7	6.6	7.5	8.3	9.1

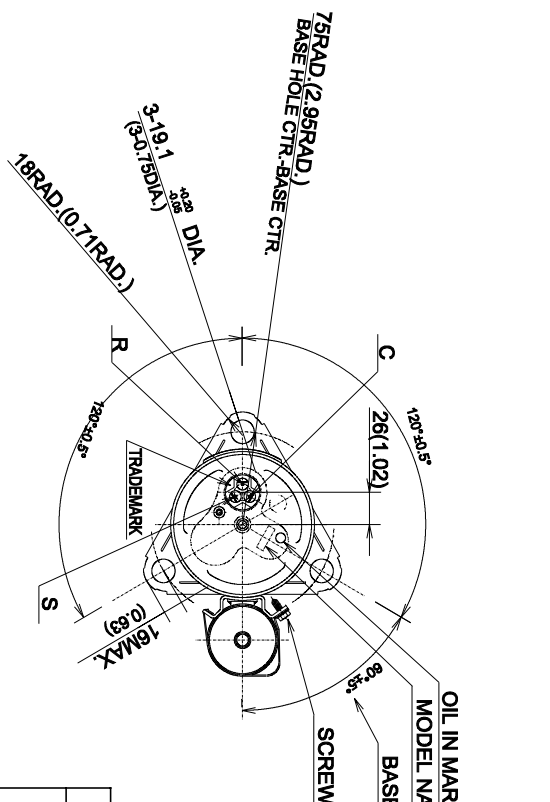
55° F 12.8°C	Btu/hr	14520	13765	12985	12180	11350
	Watts	590	715	840	955	1070
	Amperes	5.4	6.4	7.4	8.4	9.3

BTU 10,000

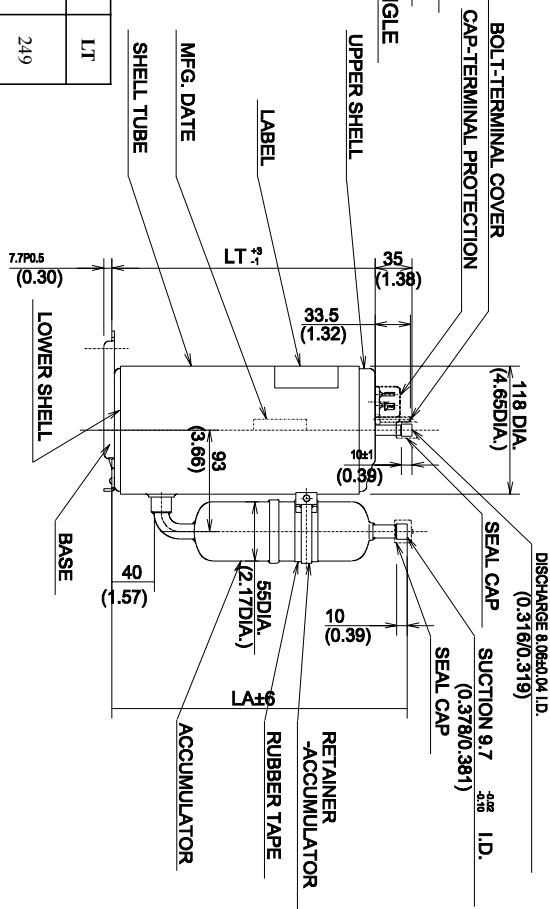
2P15S126B-1K

115 V, 60 Hz R-22

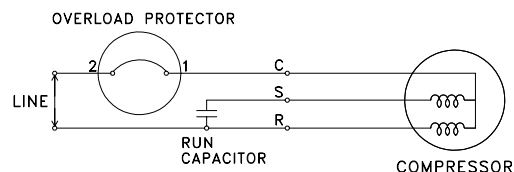
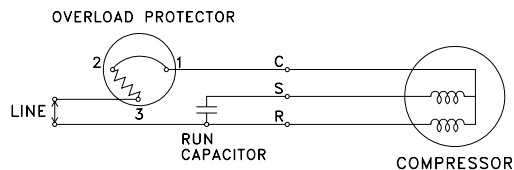
BTU 10,000



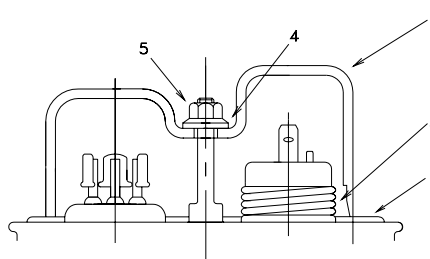
LA	268	LT	249
	(10.55)		(9.80)



WIRING DIAGRAM

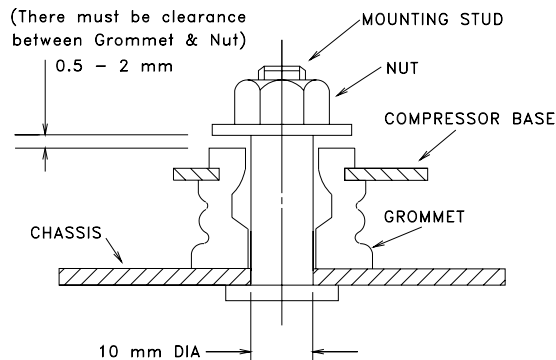


COMPRESSOR ACCESSORIES



Accessories	Part Number
1 Gasket-Terminal Cover	7070620U
2 Spring-OLP hold down	7041200
3 Terminal Cover	7070219U
4 Gasket-Nut	7070621U
5 Nut-Terminal Cover	7080300
Grommet	7070815

COMPRESSOR MOUNTING



This document sets forth certain operational parameters and conditions for operation of this product. If this product is operated outside of the parameters and conditions stated herein, buyer assumes sole and full responsibility and shall indemnify seller with respect to all product failures, and all consequences thereof. Operation of the product outside of the parameters and conditions specified herein shall serve to invalidate all seller warranties, if any, with respect to the product. Use this document as reference only. For specifications, please contact Panasonic's engineering department.

Panasonic Industrial Company

Air Conditioning Department

2P16S3R126B-1A

115 V, 60 Hz R-22

2P16S3R126B-1A

Application Cooling only
 Ref. Charge Limit 28.2 oz. 800 g
 Evaporating Temp. Range 14°F to 53.6°F -10°C to 12°C
 Specification Number SC-52170673-A

Rated Performance¹

Capacity 10,735 Btu/hr
 Motor Input 1000 Watts
 Current 8.8 Amperes
 E.E.R. 10.74 Btu/hr/ W

Compressor Data

Pump Type Rotary
 Displacement 15.6 cc/rev
 Oil ATMOS M60 or equivalent
 Oil Charge (Precharged) 9.1 fl. oz. 270 cc
 Net Weight 26.0 lb 11.8 kg

Motor Data

Motor Type Permanent Split Capacitor
 Locked Rotor Amperes 54 A at 120 V
 Winding Resistance Main: 0.666Ω, Aux: 2.163Ω
 Max. Continuous Current²

Maximum Operating Conditions

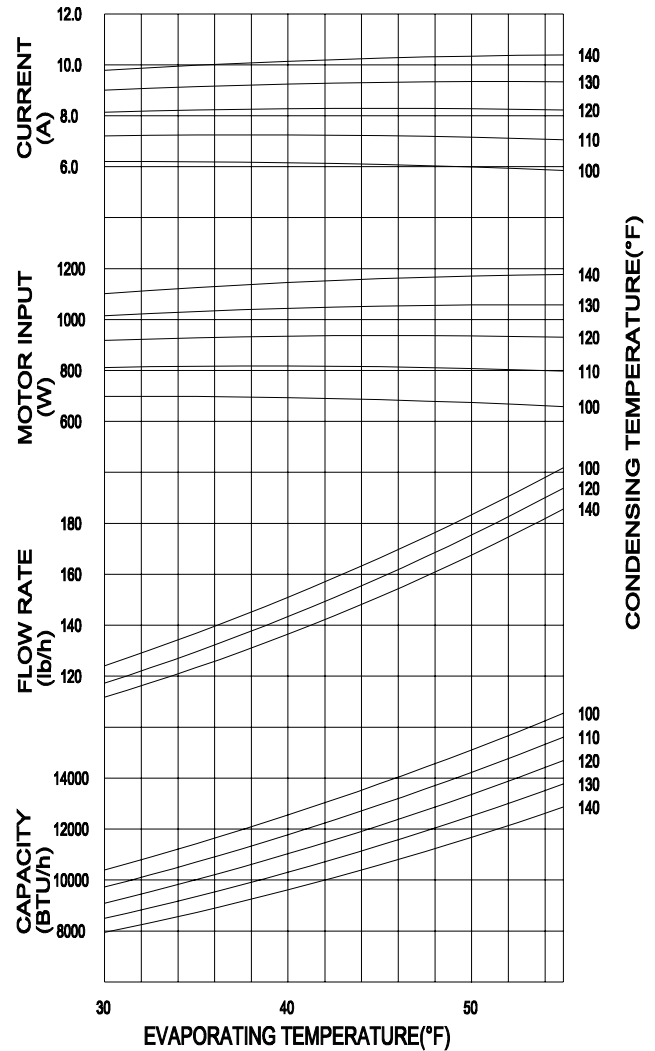
Condensing Temp. 149°F 65°C
 Return Gas Temp. 95°F 35°C
 Discharge Gas Temp. 239°F 115°C
 Motor Wire Temp. 266°F 130°C

Electrical Components

Overload Protector 7100032
 Texas Instrument part # MRA 98695
 Run Capacitor 45 μF/250 VAC

¹Rated @ ASHRAE/T Conditions

Evaporating Temp. 45°F 7.2°C
 Condensing Temp. 130°F 54.4°C
 Return Gas Temp. 95°F 35.0°C
 Liquid Temp. 115°F 46.1°C
 Ambient Temp. 95°F 35.0°C



Performance Data

Based on:
 Return gas Temp. 95°F 35.0°C
 Liquid sub-cooling 15°F 8.3°C
 Ambient 95°F 35.0°C

COND. TEMP.

100°F	110°F	120°F	130°F	140°F
37.8°C	43.3°C	48.9°C	54.4°C	60°C

EVAP. TEMP.

35° F 1.7°C	Btu/hr	10755	10115	9485	8875	8275
	Watts	705	800	890	980	1065
	Amperes	6.1	7.0	7.8	8.6	9.3

45° F 7.2°C	Btu/hr	13000	12250	11500	10735	10005
	Watts	700	800	900	1000	1100
	Amperes	6.0	7.0	7.9	8.8	9.6

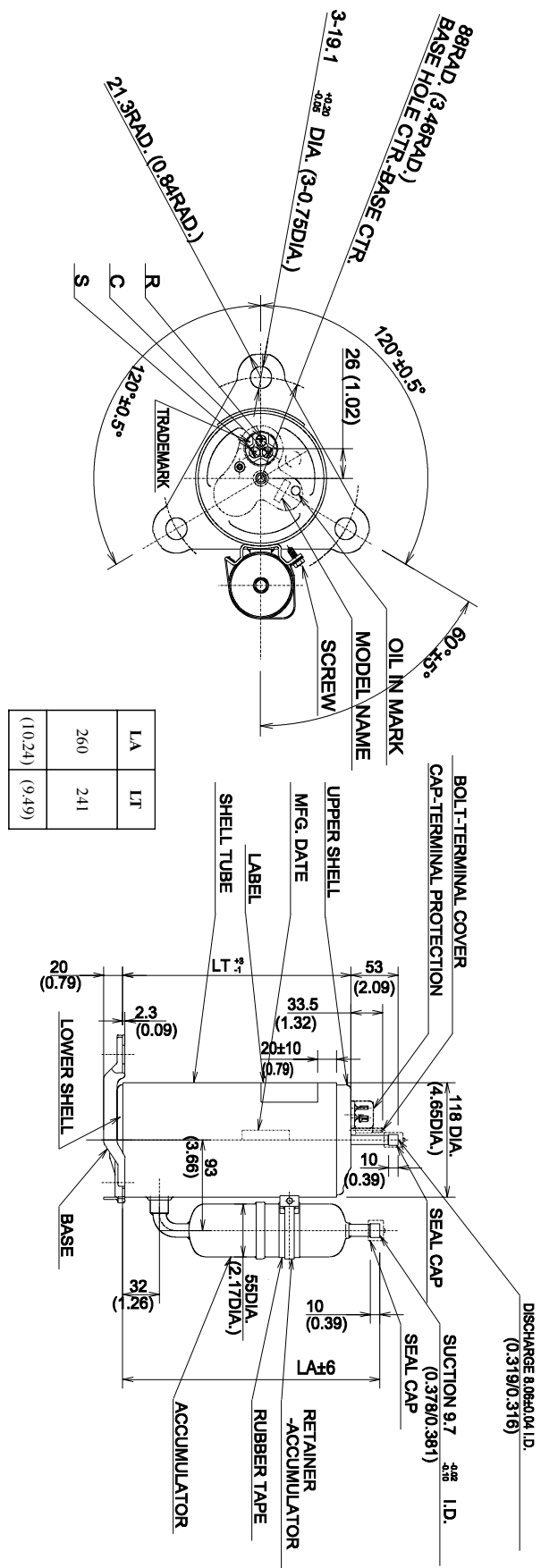
55° F 12.8°C	Btu/hr	15625	14760	13880	12990	12095
	Watts	685	795	905	1015	1125
	Amperes	5.8	6.9	7.9	8.9	9.9

BTU 11,000

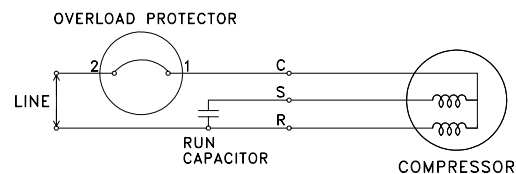
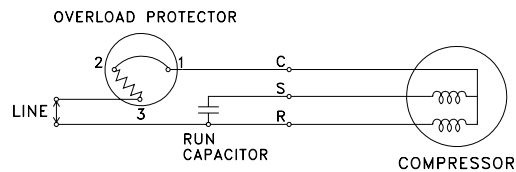
2P16S3R126B-1A

115 V, 60 Hz R-22

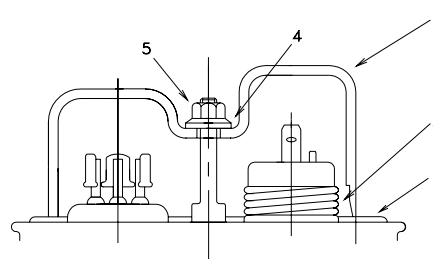
BTU 11,000



WIRING DIAGRAM

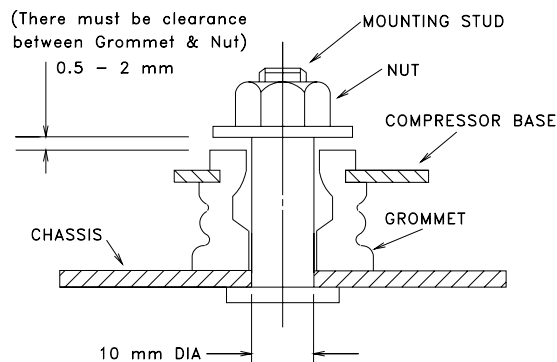


COMPRESSOR ACCESSORIES



Accessories	Part Number
1 Gasket-Terminal Cover	7070620U
2 Spring-OLP hold down	7041200
3 Terminal Cover	7070219U
4 Gasket-Nut	7070621U
5 Nut-Terminal Cover	7080300
Grommet	7070815

COMPRESSOR MOUNTING



Panasonic Industrial Company

Air Conditioning Department

2P17S3R126B-1A

115 V, 60 Hz R-22

2P17S3R126B-1A

Application	Cooling (C) / Heating (H)	
Ref. Charge Limit (C/H)	38.8 oz.	1100 g
Evap. Temp. Range (C/H)	5°F to 53.6°F	-15°C to 12°C
	(C)	14°F to 53.6°F -10°C to 12°C
Specification Number	SC-52170674-B	

Rated Performance¹

Capacity	11,350 Btu/hr
Motor Input	1,052 Watts
Current	9.3 Amperes
E.E.R.	10.79 Btu/hr/ W

Compressor Data

Pump Type	Rotary	
Displacement	16.4 cc/rev	
Oil	ATMOS M60 or equivalent	
Oil Charge (Precharged)	11.8 fl. oz.	350 cc
Net Weight	27.6 lb	12.5 kg

Motor Data

Motor Type	Permanent Split Capacitor	
Locked Rotor Amperes	58 A at 120 V	
Winding Resistance	Main: 0.657Ω, Aux: 2.176Ω	
Max. Continuous Current ²		

Maximum Operating Conditions

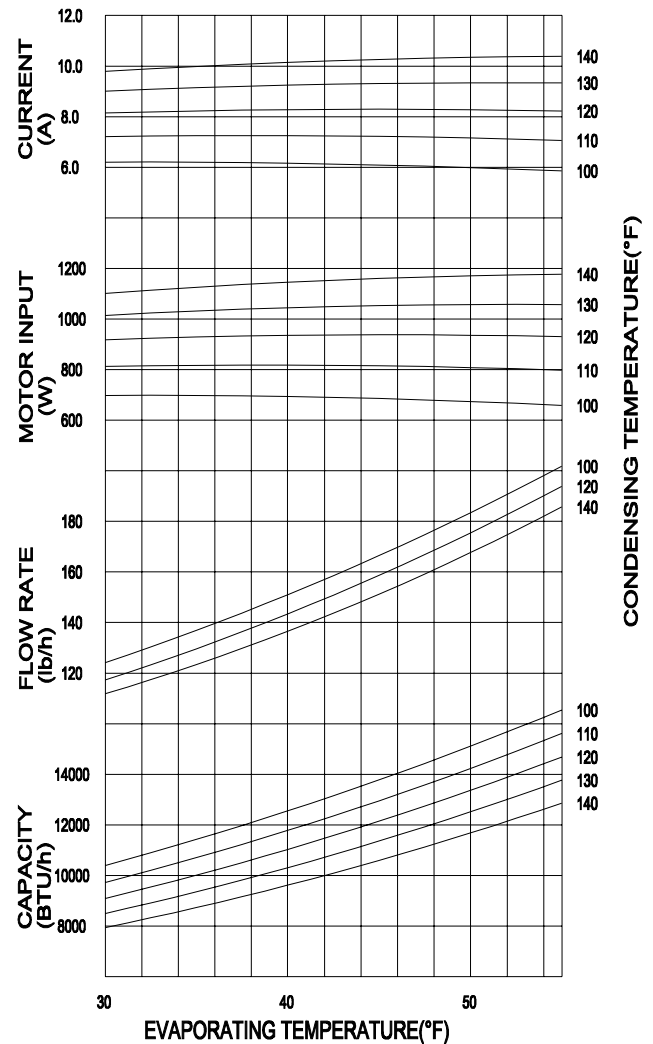
Condensing Temp.	149°F	65°C
Return Gas Temp.	95°F	35°C
Discharge Gas Temp.	239°F	115°C
Motor Wire Temp.	266°F	130°C

Electrical Components

Overload Protector	7100032	
Texas Instrument part #	MRA 98695	
Run Capacitor	45 μF/250 VAC	

¹Rated @ ASHRAE/T Conditions

Evaporating Temp.	45°F	7.2°C
Condensing Temp.	130°F	54.4°C
Return Gas Temp.	95°F	35.0°C
Liquid Temp.	115°F	46.1°C
Ambient Temp.	95°F	35.0°C



Performance Data

Based on:

Return gas Temp.	95°F	35.0°C
Liquid sub-cooling	15°F	8.3°C
Ambient	95°F	35.0°C

COND. TEMP.

100°F	110°F	120°F	130°F	140°F
37.8°C	43.3°C	48.9°C	54.4°C	60°C

EVAP. TEMP.

35° F 1.7°C	Btu/hr	11445	10705	10000	9330	8695
	Watts	695	815	930	1030	1125
	Amperes	6.2	7.2	8.2	9.1	10.0

45° F 7.2°C	Btu/hr	13820	12975	12150	11350	10575
	Watts	685	815	935	1052	1160
	Amperes	6.1	7.2	8.3	9.3	10.2

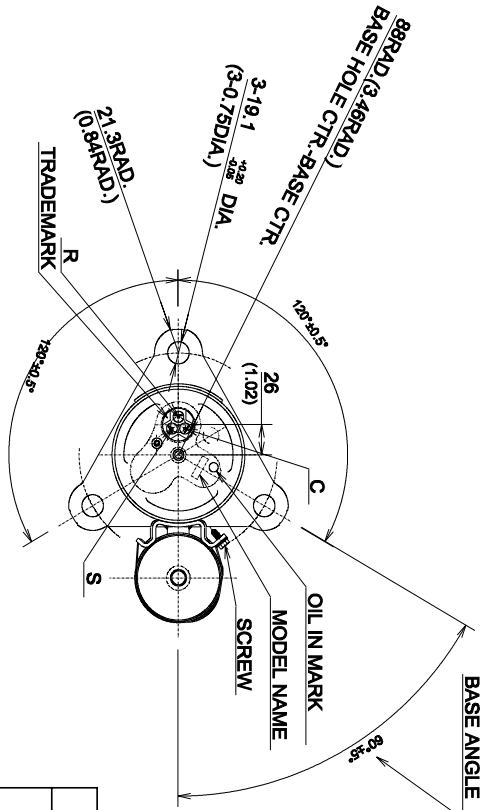
55° F 12.8°C	Btu/hr	16610	15655	14715	13780	12860
	Watts	655	795	930	1055	1180
	Amperes	5.8	7.1	8.2	9.2	10.4

BTU 11,000

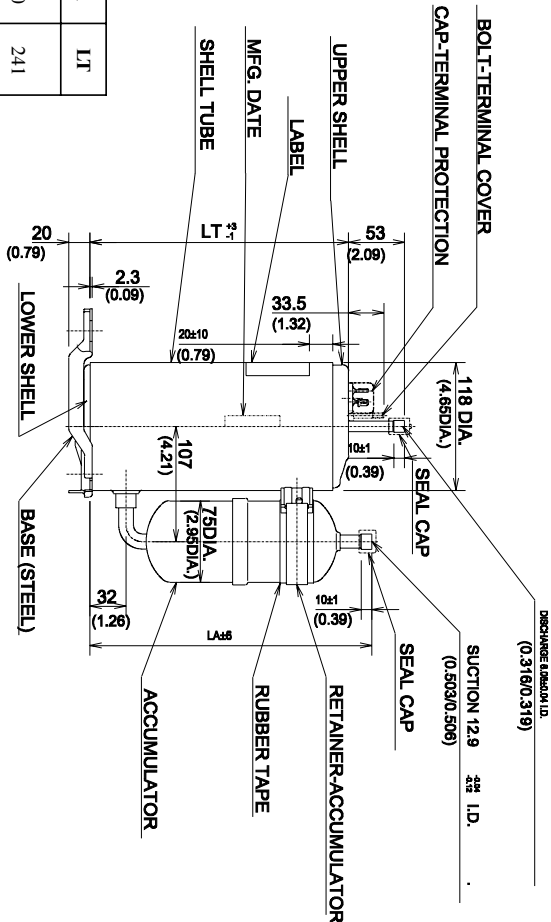
2P17S3R126B-1A

115 V, 60 Hz R-22

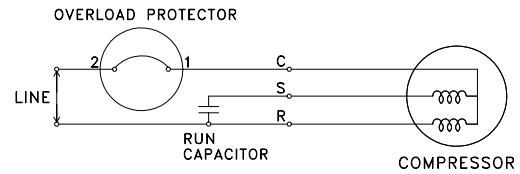
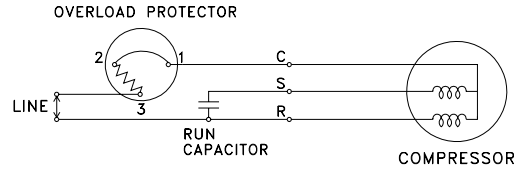
BTU 11,000



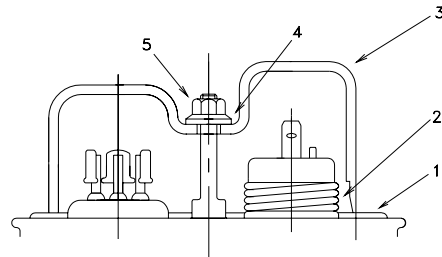
L/A	L/T
270	241
(10.63)	(9.49)



WIRING DIAGRAM

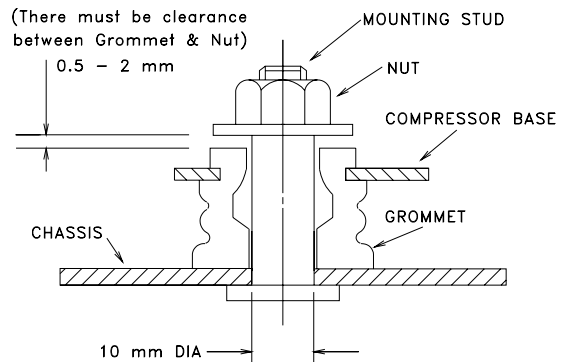


COMPRESSOR ACCESSORIES



Accessories	Part Number
1 Gasket-Terminal Cover	7070620U
2 Spring-OLP hold down	7041200
3 Terminal Cover	7070219U
4 Gasket-Nut	7070621U
5 Nut-Terminal Cover	7080300
Grommet	7070815

COMPRESSOR MOUNTING



This document sets forth certain operational parameters and conditions for operation of this product. If this product is operated outside of the parameters and conditions stated herein, buyer assumes sole and full responsibility and shall indemnify seller with respect to all product failures, and all consequences thereof. Operation of the product outside of the parameters and conditions specified herein shall serve to invalidate all seller warranties, if any, with respect to the product. Use this document as reference only. For specifications, please contact Panasonic's engineering department.

Panasonic Industrial Company

Air Conditioning Department

2P17S3R276A-1A

265/277 V, 60 Hz R-22

2P17S3R276A-1A

Application Cooling (C) / Heating (H)
 Ref. Charge Limit (C/H) 38.8 oz. 1100 g
 Evap. Temp. Range (C/H) 5°F to 53.6°F -15°C to 12°C
 (C) 14°F to 53.6°F -10°C to 12°C
 Specification Number SC-52170588-C

Rated Performance @265V¹

Capacity 11,350 Btu/hr
 Motor Input 1,040 Watts
 Current 4.1 Amperes
 E.E.R. 10.91 Btu/hr/ W

Compressor Data

Pump Type Rotary
 Displacement 16.4 cc/rev
 Oil ATMOS M60 or equivalent
 Oil Charge (Precharged) 11.8 fl. oz. 350 cc
 Net Weight 27.6 lb 12.5 kg

Motor Data

Motor Type Permanent Split Capacitor
 Locked Rotor Amperes 24 A at 277 V
 Winding Resistance Main: 3.507Ω, Aux: 2.815Ω
 Max. Continuous Current²

Maximum Operating Conditions

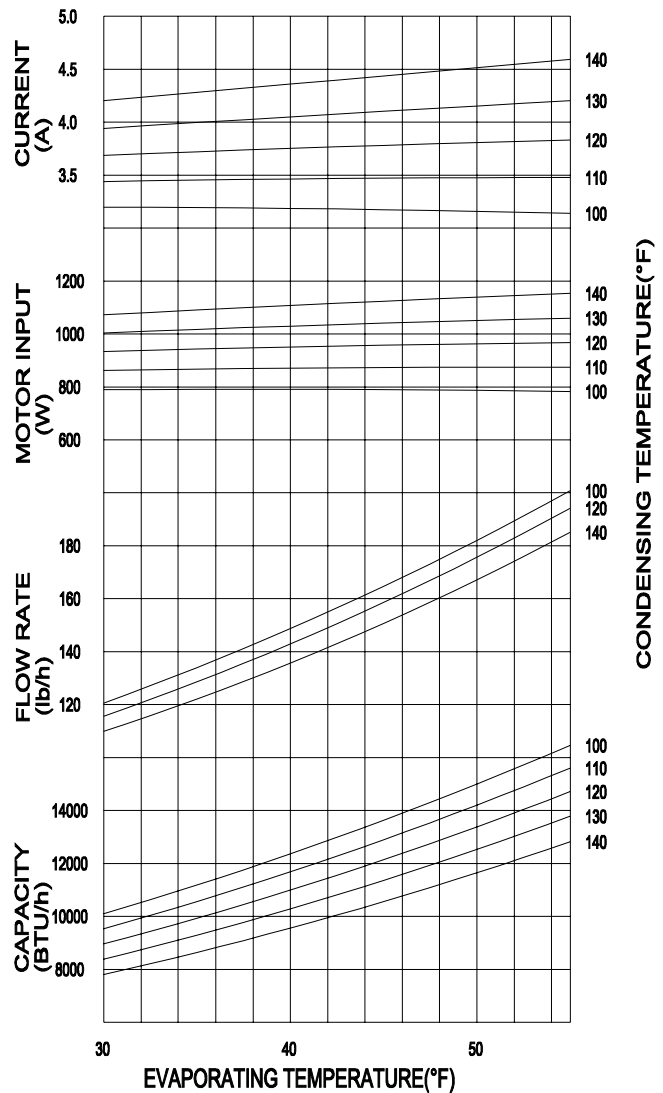
Condensing Temp. 149°F 65°C
 Return Gas Temp. 95°F 35°C
 Discharge Gas Temp. 239°F 115°C
 Motor Wire Temp. 266°F 130°C

Electrical Components

Overload Protector 7100528
 Texas Instrument part # MRA 98963
 Run Capacitor 25 μF/400 VAC

¹Rated @ASHRAE/T Conditions

Evaporating Temp. 45°F 7.2°C
 Condensing Temp. 130°F 54.4°C
 Return Gas Temp. 95°F 35.0°C
 Liquid Temp. 115°F 46.1°C
 Ambient Temp. 95°F 35.0°C



Performance Data @265V

Based on:

Return gas Temp. 95°F 35.0°C
 Liquid sub-cooling 15°F 8.3°C
 Ambient 95°F 35.0°C

COND. TEMP.

100°F	110°F	120°F	130°F	140°F
37.8°C	43.3°C	48.9°C	54.4°C	60°C

EVAP. TEMP.

35° F 1.7°C	Btu/hr	11175	10555	9925	9280	8630
	Watts	790	865	940	1015	1090
	Amperes	3.2	3.5	3.7	4.0	4.3

45° F 7.2°C	Btu/hr	13620	12885	12130	11350	10545
	Watts	790	875	955	1040	1125
	Amperes	3.2	3.5	3.8	4.1	4.4

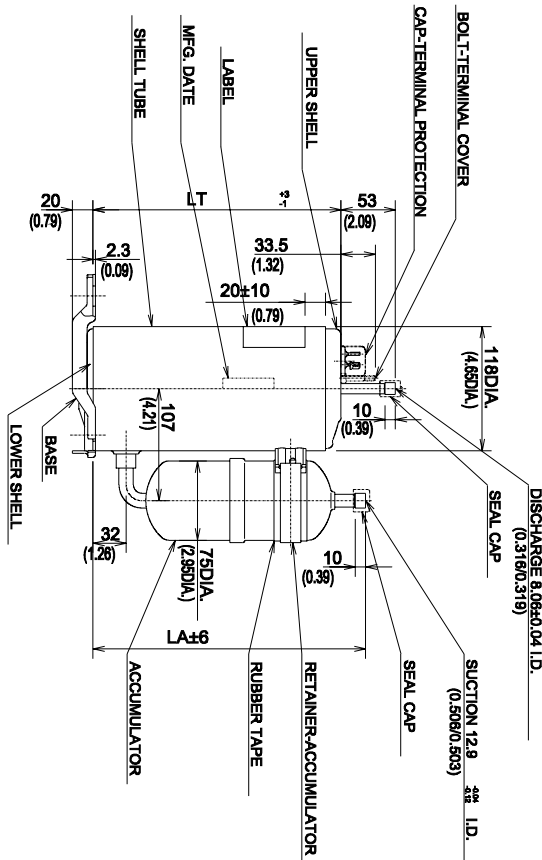
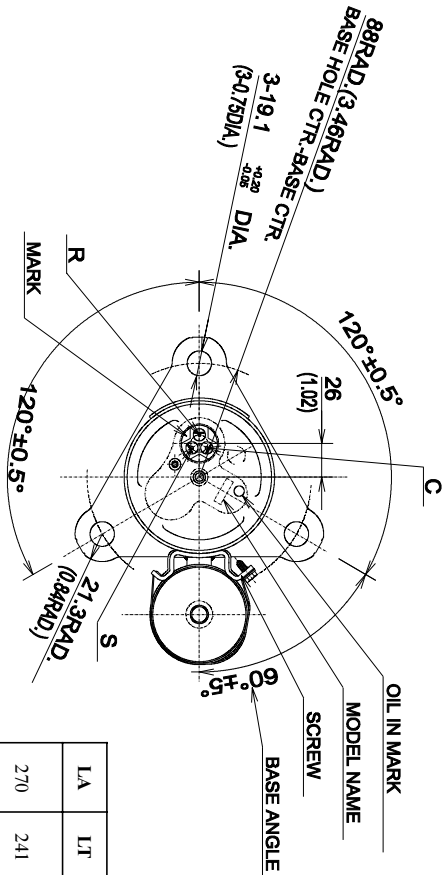
55° F 12.8°C	Btu/hr	16450	15545	14705	13775	12810
	Watts	780	875	965	1060	1150
	Amperes	3.1	3.5	3.8	4.2	4.6

BTU 11,000

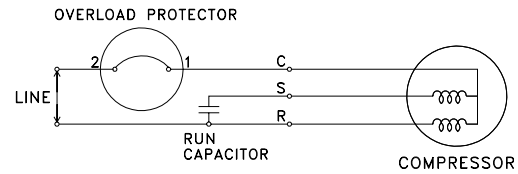
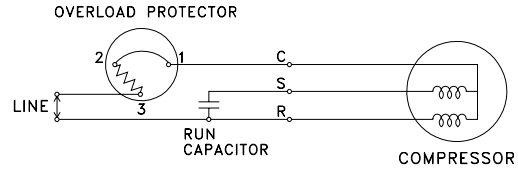
2P17S3R276A-1A

265/277 V, 60 Hz R-22

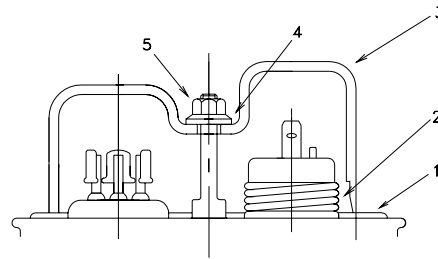
BTU 11,000



WIRING DIAGRAM

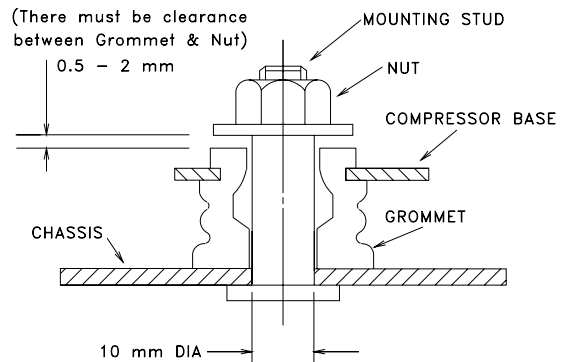


COMPRESSOR ACCESSORIES



Accessories	Part Number
1 Gasket-Terminal Cover	7070620U
2 Spring-OLP hold down	7041200
3 Terminal Cover	7070219U
4 Gasket-Nut	7070621U
5 Nut-Terminal Cover	7080300
Grommet	7070815

COMPRESSOR MOUNTING



Panasonic Industrial Company

Air Conditioning Department

2P17S3R276A-1A

265/277 V, 60 Hz R-22

2P17S3R276A-1A

Application Cooling (C) / Heating (H)
 Ref. Charge Limit (C/H) 38.8 oz. 1100 g
 Evap. Temp. Range (C/H) 5°F to 53.6°F -15°C to 12°C
 (C) 14°F to 53.6°F -10°C to 12°C
 Specification Number SC-52170588-C

Rated Performance @265V¹

Capacity 11,350 Btu/hr
 Motor Input 1,040 Watts
 Current 4.1 Amperes
 E.E.R. 10.91 Btu/hr/ W

Compressor Data

Pump Type Rotary
 Displacement 16.4 cc/rev
 Oil ATMOS M60 or equivalent
 Oil Charge (Precharged) 11.8 fl. oz. 350 cc
 Net Weight 27.6 lb 12.5 kg

Motor Data

Motor Type Permanent Split Capacitor
 Locked Rotor Amperes 24 A at 277 V
 Winding Resistance Main: 3.507Ω, Aux: 2.815Ω
 Max. Continuous Current²

Maximum Operating Conditions

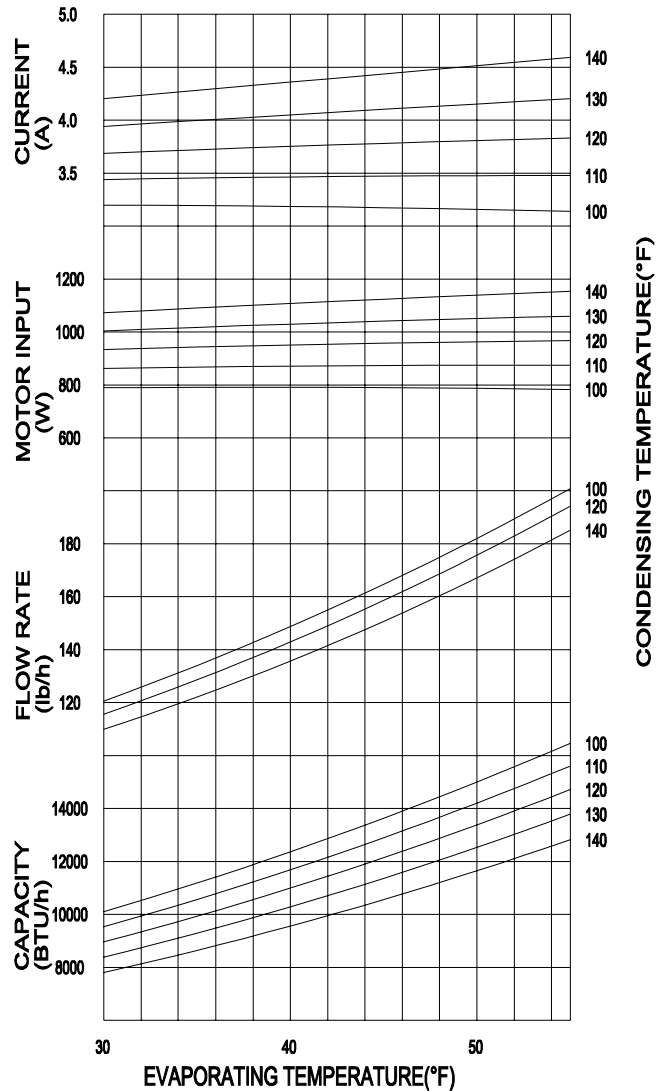
Condensing Temp. 149°F 65°C
 Return Gas Temp. 95°F 35°C
 Discharge Gas Temp. 239°F 115°C
 Motor Wire Temp. 266°F 130°C

Electrical Components

Overload Protector 7100528
 Texas Instrument part # MRA 98963
 Run Capacitor 25 μF/400 VAC

¹Rated @ASHRAE/T Conditions

Evaporating Temp. 45°F 7.2°C
 Condensing Temp. 130°F 54.4°C
 Return Gas Temp. 95°F 35.0°C
 Liquid Temp. 115°F 46.1°C
 Ambient Temp. 95°F 35.0°C



Performance Data @265V

Based on:

Return gas Temp. 95°F 35.0°C
 Liquid sub-cooling 15°F 8.3°C
 Ambient 95°F 35.0°C

COND. TEMP.

100°F	110°F	120°F	130°F	140°F
37.8°C	43.3°C	48.9°C	54.4°C	60°C

EVAP. TEMP.

35° F 1.7°C	Btu/hr	11175	10555	9925	9280	8630
	Watts	790	865	940	1015	1090
	Amperes	3.2	3.5	3.7	4.0	4.3

45° F 7.2°C	Btu/hr	13620	12885	12130	11350	10545
	Watts	790	875	955	1040	1125
	Amperes	3.2	3.5	3.8	4.1	4.4

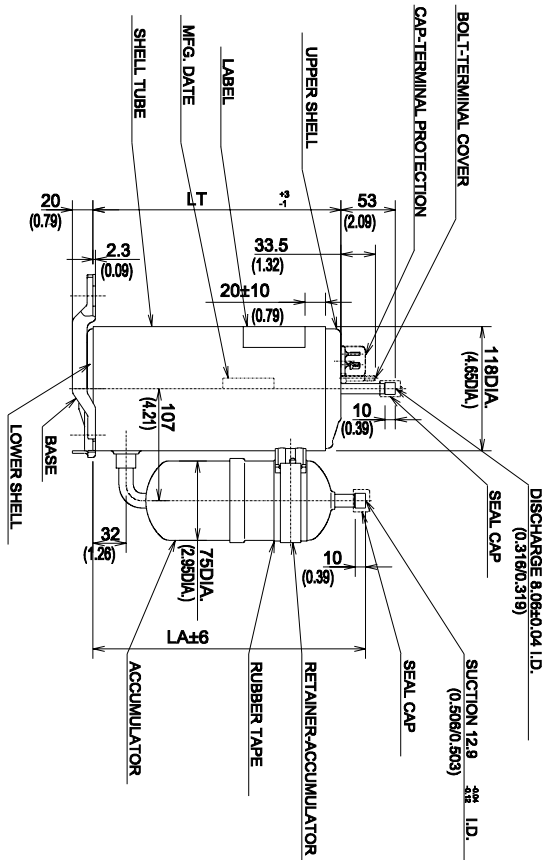
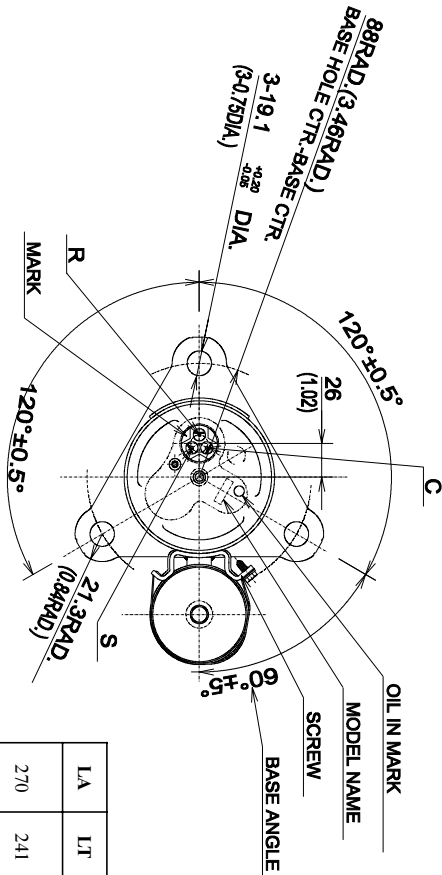
55° F 12.8°C	Btu/hr	16450	15545	14705	13775	12810
	Watts	780	875	965	1060	1150
	Amperes	3.1	3.5	3.8	4.2	4.6

BTU 11,000

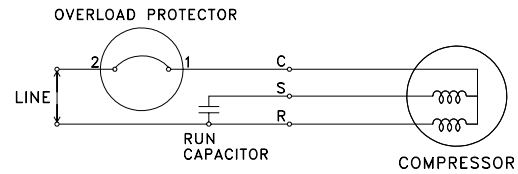
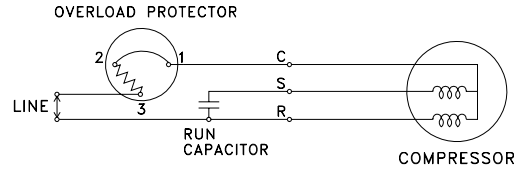
2P17S3R276A-1A

265/277 V, 60 Hz R-22

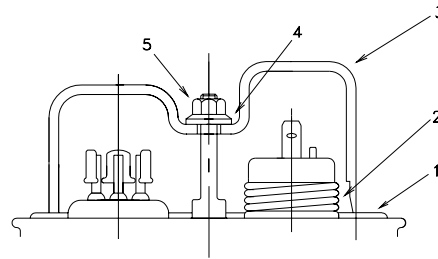
BTU 11,000



WIRING DIAGRAM

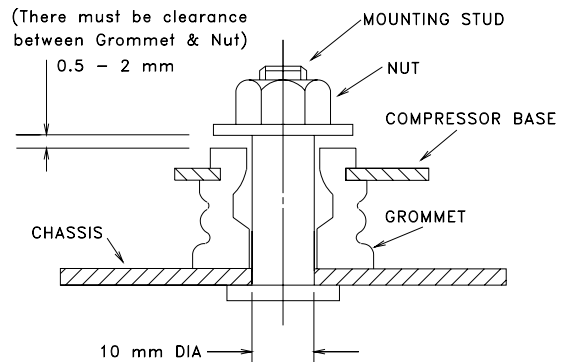


COMPRESSOR ACCESSORIES



Accessories	Part Number
1 Gasket-Terminal Cover	7070620U
2 Spring-OLP hold down	7041200
3 Terminal Cover	7070219U
4 Gasket-Nut	7070621U
5 Nut-Terminal Cover	7080300
Grommet	7070815

COMPRESSOR MOUNTING



Panasonic Industrial Company

Air Conditioning Department

2P19S3R236A-1A

208/230 V, 60 Hz R-22

2P19S3R236A-1A

Application Cooling (C) / Heating (H)
 Ref. Charge Limit (C/H) 38.8 oz. 1100 g
 Evap. Temp. Range (C/H) 5°F to 53.6°F -15°C to 12°C
 (C) 14°F to 53.6°F -10°C to 12°C
 Specification Number SC-52170461-B

Rated Performance @230V¹

Capacity 12,660 Btu/hr
 Motor Input 1,167 Watts
 Current 5.2 Amperes
 E.E.R. 10.85 Btu/hr/ W

Compressor Data

Pump Type Rotary
 Displacement 18.1 cc/rev
 Oil ATMOS M60 or equivalent
 Oil Charge (Precharged) 11.8 fl. oz. 350 cc
 Net Weight 28.0 lb 12.7 kg

Motor Data

Motor Type Permanent Split Capacitor
 Locked Rotor Amperes 33 A at 240 V
 Winding Resistance Main: 2.237Ω, Aux: 2.710Ω
 Max. Continuous Current²

Maximum Operating Conditions

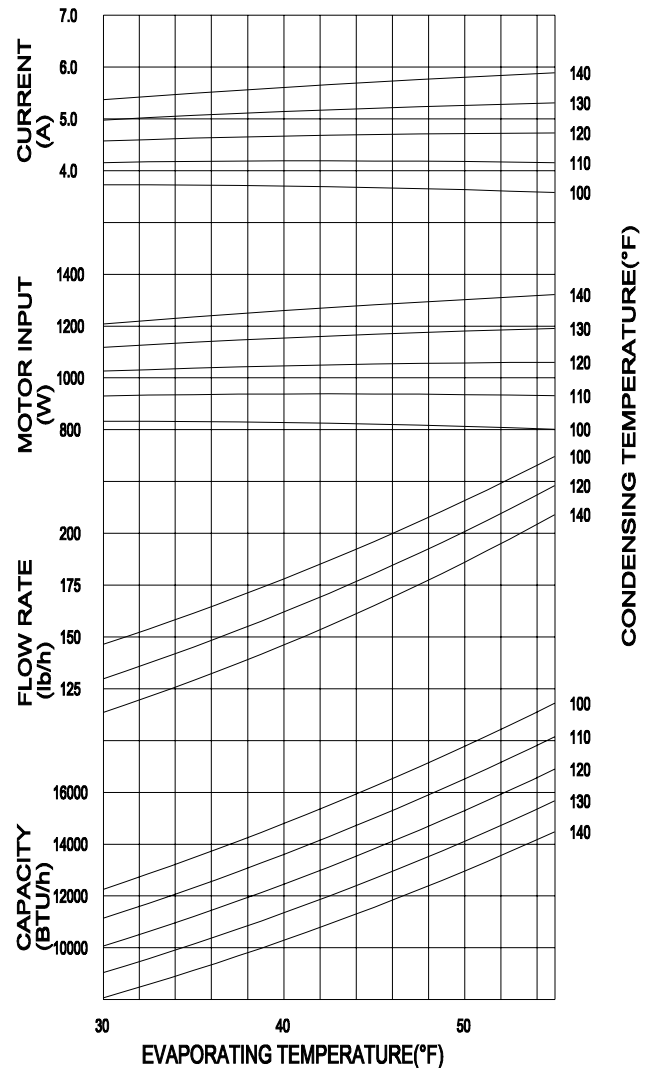
Condensing Temp. 149°F 65°C
 Return Gas Temp. 95°F 35°C
 Discharge Gas Temp. 239°F 115°C
 Motor Wire Temp. 266°F 130°C

Electrical Components

Overload Protector 7100080 or 7100096
 Texas Instrument part # MRA 98781 or MRA 98830
 Run Capacitor 30 μF/370 VAC

¹Rated @ASHRAE/T Conditions

Evaporating Temp. 45°F 7.2°C
 Condensing Temp. 130°F 54.4°C
 Return Gas Temp. 95°F 35.0°C
 Liquid Temp. 115°F 46.1°C
 Ambient Temp. 95°F 35.0°C



BTU 13,000

Performance Data @230V

Based on:
 Return gas Temp. 95°F 35.0°C
 Liquid sub-cooling 15°F 8.3°C
 Ambient 95°F 35.0°C

COND. TEMP.

100°F	110°F	120°F	130°F	140°F
37.8°C	43.3°C	48.9°C	54.4°C	60°C

EVAP. TEMP.

35° F 1.7°C	Btu/hr	13460	12305	11195	10125	9110
	Watts	830	935	1035	1135	1235
	Amperes	3.7	4.2	4.6	5.1	5.5

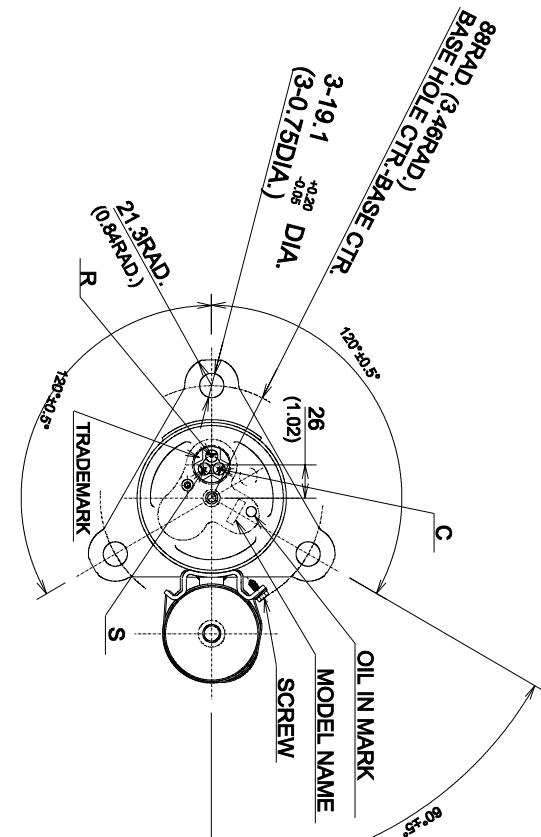
45° F 7.2°C	Btu/hr	16215	14990	13805	12660	11555
	Watts	820	935	1050	1165	1280
	Amperes	3.7	4.2	4.7	5.2	5.7

55° F 12.8°C	Btu/hr	19425	18140	16880	15660	14470
	Watts	800	930	1060	1190	1320
	Amperes	3.6	4.1	4.7	5.3	5.9

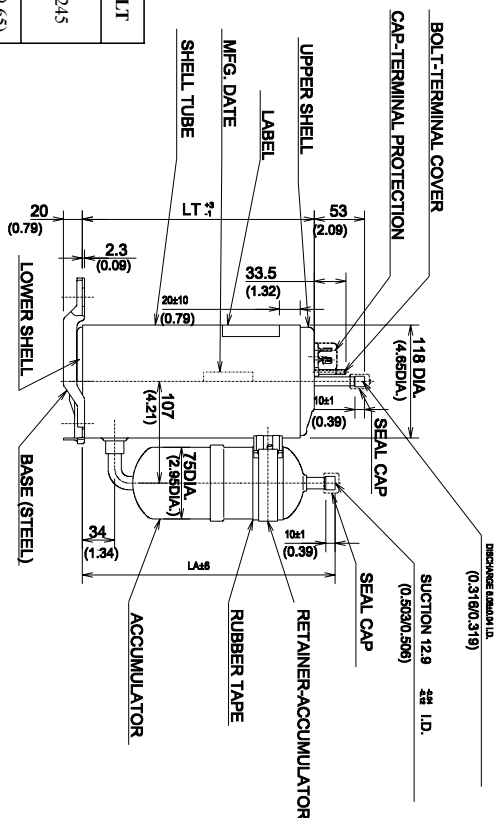
2P19S3R236A-1A

208/230 V, 60 Hz R-22

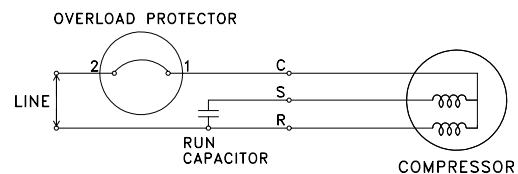
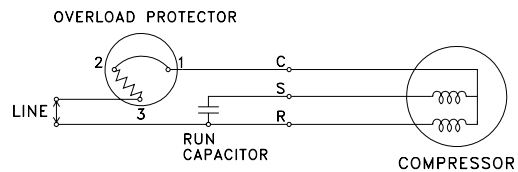
BTU 13,000



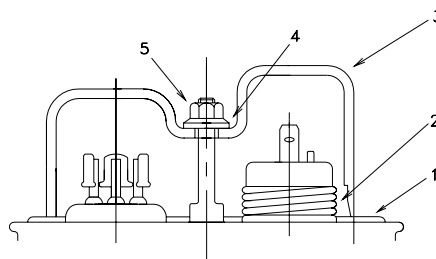
LA	272	LT	245
	(10.71)		(9.65)



WIRING DIAGRAM

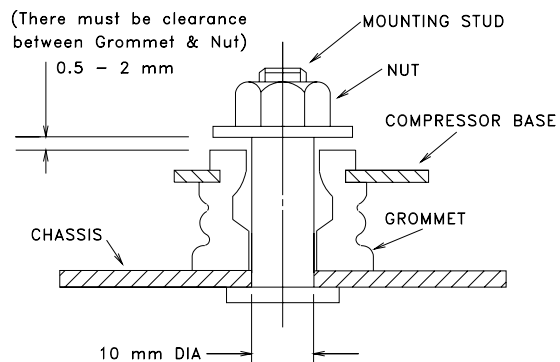


COMPRESSOR ACCESSORIES



Accessories	Part Number
1 Gasket-Terminal Cover	7070620U
2 Spring-OLP hold down	7041200
3 Terminal Cover	7070219U
4 Gasket-Nut	7070621U
5 Nut-Terminal Cover	7080300
Grommet	7070815

COMPRESSOR MOUNTING



Panasonic Industrial Company

Air Conditioning Department

2P19S3R236A-1A

208/230 V, 60 Hz R-22

2P19S3R236A-1A

Application Cooling (C) / Heating (H)
 Ref. Charge Limit (C/H) 38.8 oz. 1100 g
 Evap. Temp. Range (C/H) 5°F to 53.6°F -15°C to 12°C
 (C) 14°F to 53.6°F -10°C to 12°C
 Specification Number SC-52170461-B

Rated Performance @230V¹

Capacity 12,660 Btu/hr
 Motor Input 1,167 Watts
 Current 5.2 Amperes
 E.E.R. 10.85 Btu/hr/ W

Compressor Data

Pump Type Rotary
 Displacement 18.1 cc/rev
 Oil ATMOS M60 or equivalent
 Oil Charge (Precharged) 11.8 fl. oz. 350 cc
 Net Weight 28.0 lb 12.7 kg

Motor Data

Motor Type Permanent Split Capacitor
 Locked Rotor Amperes 33 A at 240 V
 Winding Resistance Main: 2.237Ω, Aux: 2.710Ω
 Max. Continuous Current²

Maximum Operating Conditions

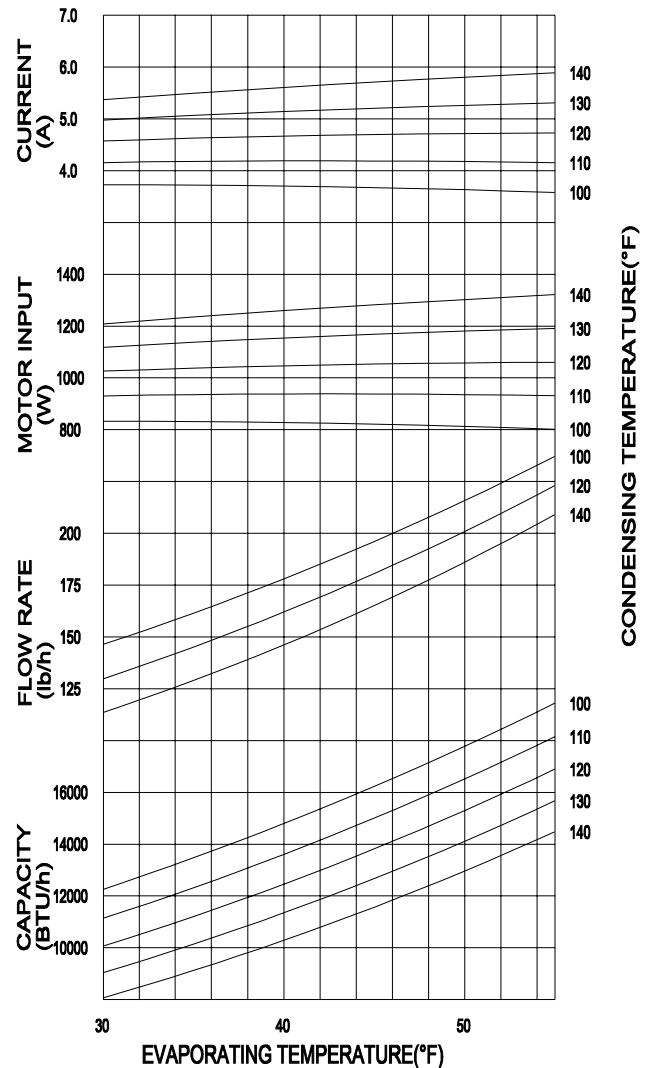
Condensing Temp. 149°F 65°C
 Return Gas Temp. 95°F 35°C
 Discharge Gas Temp. 239°F 115°C
 Motor Wire Temp. 266°F 130°C

Electrical Components

Overload Protector 7100080 or 7100096
 Texas Instrument part # MRA 98781 or MRA 98830
 Run Capacitor 30 μF/370 VAC

¹Rated @ASHRAE/T Conditions

Evaporating Temp. 45°F 7.2°C
 Condensing Temp. 130°F 54.4°C
 Return Gas Temp. 95°F 35.0°C
 Liquid Temp. 115°F 46.1°C
 Ambient Temp. 95°F 35.0°C



Performance Data @230V

Based on:

Return gas Temp. 95°F 35.0°C
 Liquid sub-cooling 15°F 8.3°C
 Ambient 95°F 35.0°C

COND. TEMP.

100°F	110°F	120°F	130°F	140°F
37.8°C	43.3°C	48.9°C	54.4°C	60°C

EVAP. TEMP.

35° F 1.7°C	Btu/hr	13460	12305	11195	10125	9110
	Watts	830	935	1035	1135	1235
	Amperes	3.7	4.2	4.6	5.1	5.5

45° F 7.2°C	Btu/hr	16215	14990	13805	12660	11555
	Watts	820	935	1050	1165	1280
	Amperes	3.7	4.2	4.7	5.2	5.7

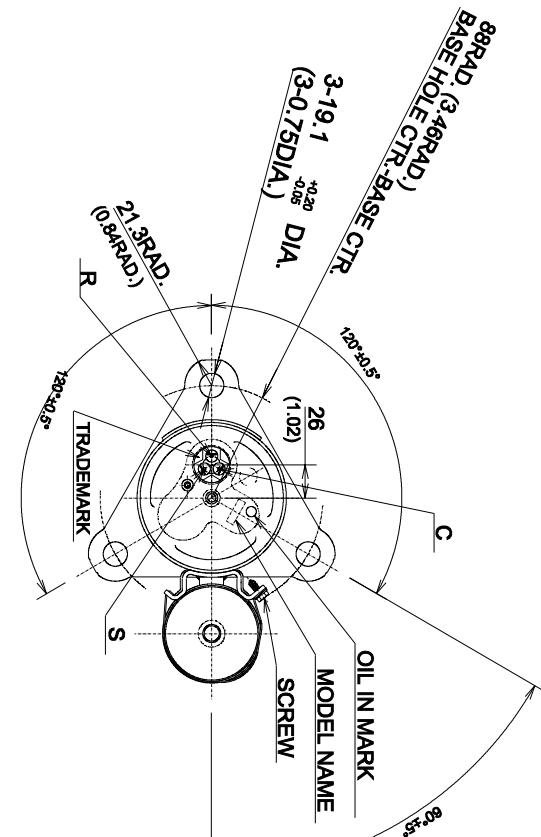
55° F 12.8°C	Btu/hr	19425	18140	16880	15660	14470
	Watts	800	930	1060	1190	1320
	Amperes	3.6	4.1	4.7	5.3	5.9

BTU 13,000

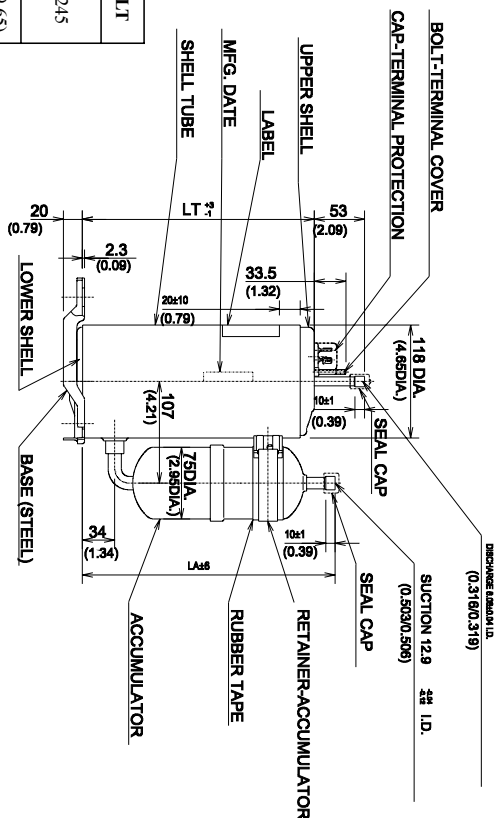
2P19S3R236A-1A

208/230 V, 60 Hz R-22

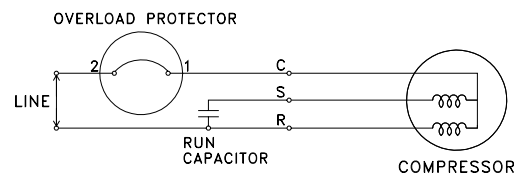
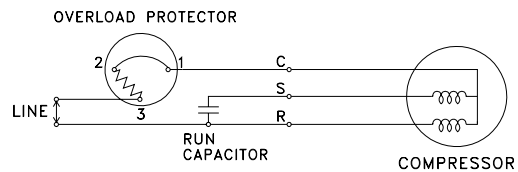
BTU 13,000



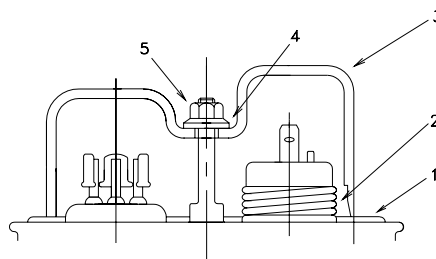
LA	LT
272 (10.71)	245 (9.65)



WIRING DIAGRAM

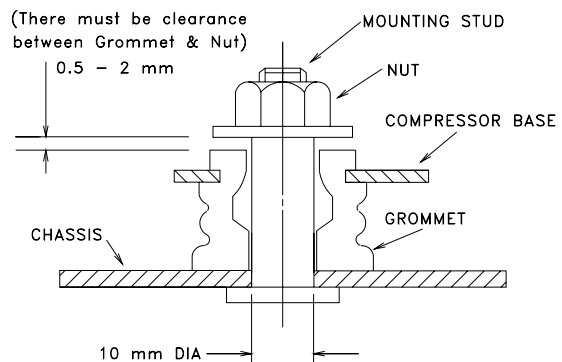


COMPRESSOR ACCESSORIES



Accessories	Part Number
1 Gasket-Terminal Cover	7070620U
2 Spring-OLP hold down	7041200
3 Terminal Cover	7070219U
4 Gasket-Nut	7070621U
5 Nut-Terminal Cover	7080300
Grommet	7070815

COMPRESSOR MOUNTING



Panasonic Industrial Company

Air Conditioning Department

2P19S3R276A-1A

265/277 V, 60 Hz R-22

2P19S3R276A-1A

Application	Cooling (C) / Heating (H)	
Ref. Charge Limit (C/H)	33.5 oz.	950 g
	(C) 38.8 oz.	1100 g
Evap. Temp. Range (C/H)	5°F to 53.6°F	-15°C to 12°C
	(C) 14°F to 53.6°F	-10°C to 12°C
Specification Number	SC-52170589-A	

Rated Performance @265V¹

Capacity	12,640 Btu/hr
Motor Input	1,170 Watts
Current	4.6 Amperes
E.E.R.	10.80 Btu/hr/ W

Compressor Data

Pump Type	Rotary	
Displacement	18.1 cc/rev	
Oil	ATMOS M60 or equivalent	
Oil Charge (Precharged)	11.8 fl. oz.	350 cc
Net Weight	28.0 lb	12.7 kg

Motor Data

Motor Type	Permanent Split Capacitor	
Locked Rotor Amperes	26 A at 277 V	
Winding Resistance	Main: 3.345Ω, Aux: 2.501Ω	
Max. Continuous Current ²		

Maximum Operating Conditions

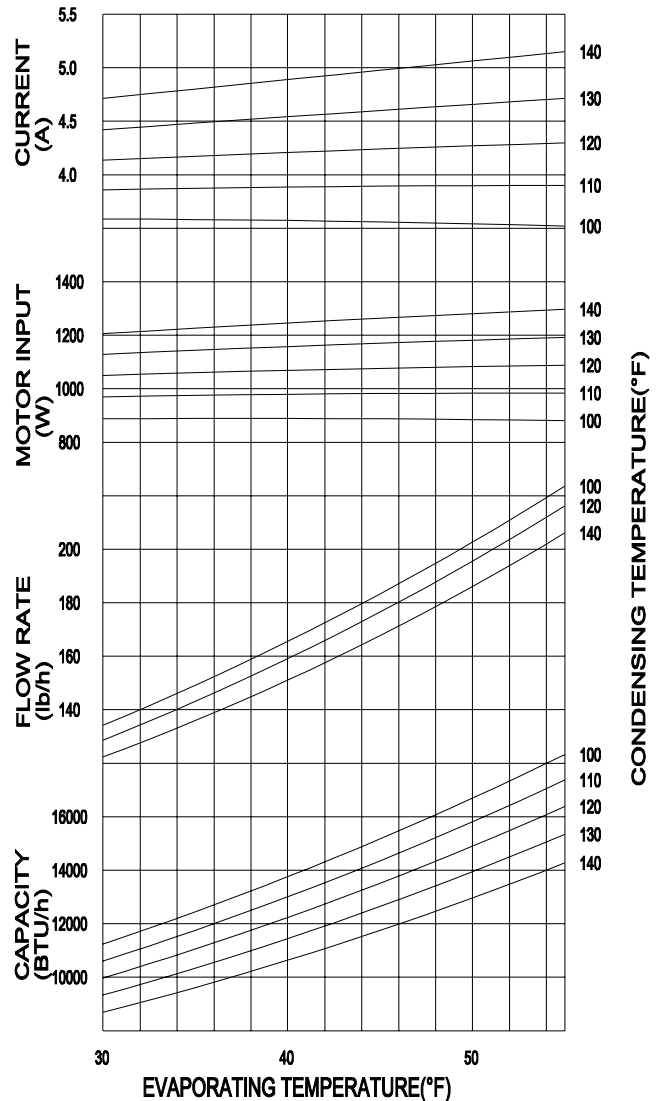
Condensing Temp.	149°F	65°C
Return Gas Temp.	95°F	35°C
Discharge Gas Temp.	239°F	115°C
Motor Wire Temp.	266°F	130°C

Electrical Components

Overload Protector	7100077	
Texas Instrument part #	MRA98776	
Run Capacitor	30 μF/400 VAC	

¹Rated @ASHRAE/T Conditions

Evaporating Temp.	45°F	7.2°C
Condensing Temp.	130°F	54.4°C
Return Gas Temp.	95°F	35.0°C
Liquid Temp.	115°F	46.1°C
Ambient Temp.	95°F	35.0°C



Performance Data @265V

Based on:

Return gas Temp.	95°F	35.0°C
Liquid sub-cooling	15°F	8.3°C
Ambient	95°F	35.0°C

COND. TEMP.

100°F	110°F	120°F	130°F	140°F
37.8°C	43.3°C	48.9°C	54.4°C	60°C

EVAP. TEMP.

35° F 1.7°C	Btu/hr	12445	11750	11050	10335	9610
	Watts	890	975	1060	1145	1225
Amperes	3.6	3.9	4.2	4.5	4.8	

45° F 7.2°C	Btu/hr	15165	14350	13505	12640	11745
	Watts	885	980	1075	1170	1265
Amperes	3.6	3.9	4.2	4.6	5.0	

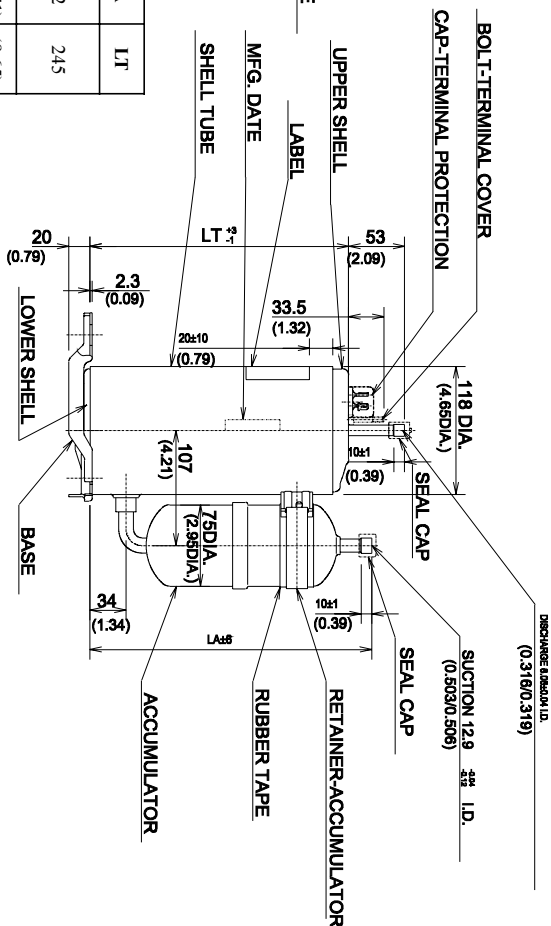
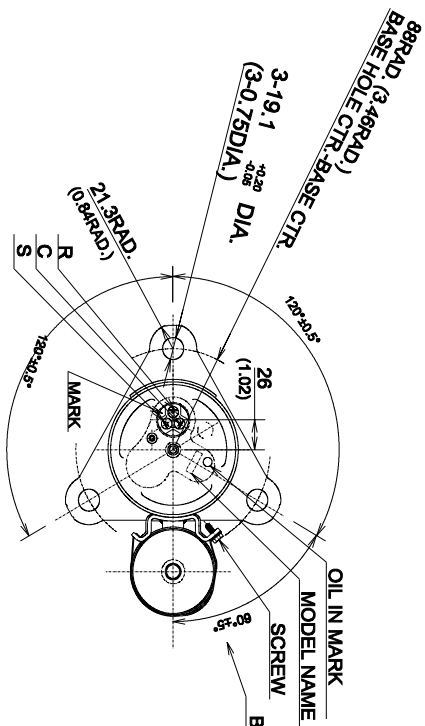
55° F 12.8°C	Btu/hr	18320	17365	16375	15345	14270
	Watts	880	985	1085	1190	1295
Amperes	3.5	3.9	4.3	4.7	5.2	

BTU 13,000

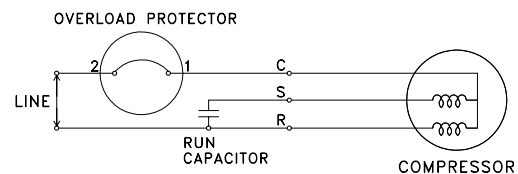
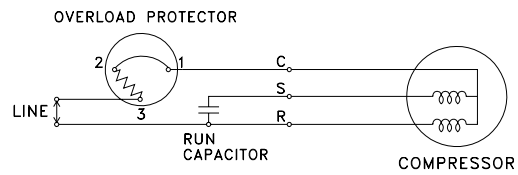
2P19S3R276A-1A

265/277 V, 60 Hz R-22

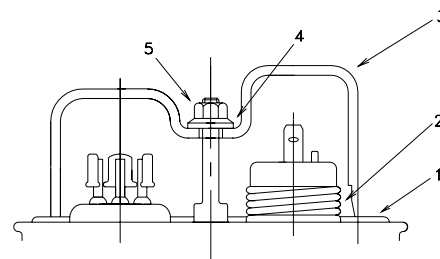
BTU 13,000



WIRING DIAGRAM

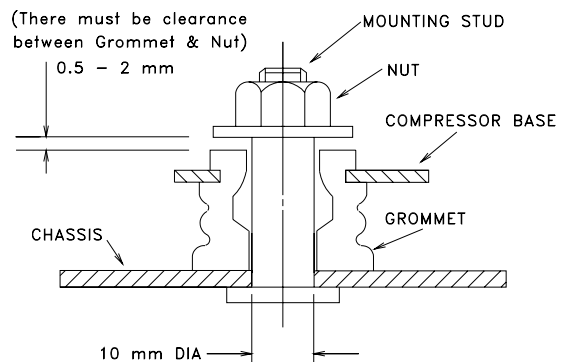


COMPRESSOR ACCESSORIES



Accessories	Part Number
1 Gasket-Terminal Cover	7070620U
2 Spring-OLP hold down	7041200
3 Terminal Cover	7070219U
4 Gasket-Nut	7070621U
5 Nut-Terminal Cover	7080300
Grommet	7070815

COMPRESSOR MOUNTING



Panasonic Industrial Company

Air Conditioning Department

2P19S3R276A-1A

265/277 V, 60 Hz R-22

2P19S3R276A-1A

Application	Cooling (C) / Heating (H)	
Ref. Charge Limit (C/H)	33.5 oz.	950 g
	(C) 38.8 oz.	1100 g
Evap. Temp. Range (C/H)	5°F to 53.6°F	-15°C to 12°C
	(C) 14°F to 53.6°F	-10°C to 12°C
Specification Number	SC-52170589-A	

Rated Performance @265V¹

Capacity	12,640 Btu/hr
Motor Input	1,170 Watts
Current	4.6 Amperes
E.E.R.	10.80 Btu/hr/ W

Compressor Data

Pump Type	Rotary	
Displacement	18.1 cc/rev	
Oil	ATMOS M60 or equivalent	
Oil Charge (Precharged)	11.8 fl. oz.	350 cc
Net Weight	28.0 lb	12.7 kg

Motor Data

Motor Type	Permanent Split Capacitor	
Locked Rotor Amperes	26 A at 277 V	
Winding Resistance	Main: 3.345Ω, Aux: 2.501Ω	
Max. Continuous Current ²		

Maximum Operating Conditions

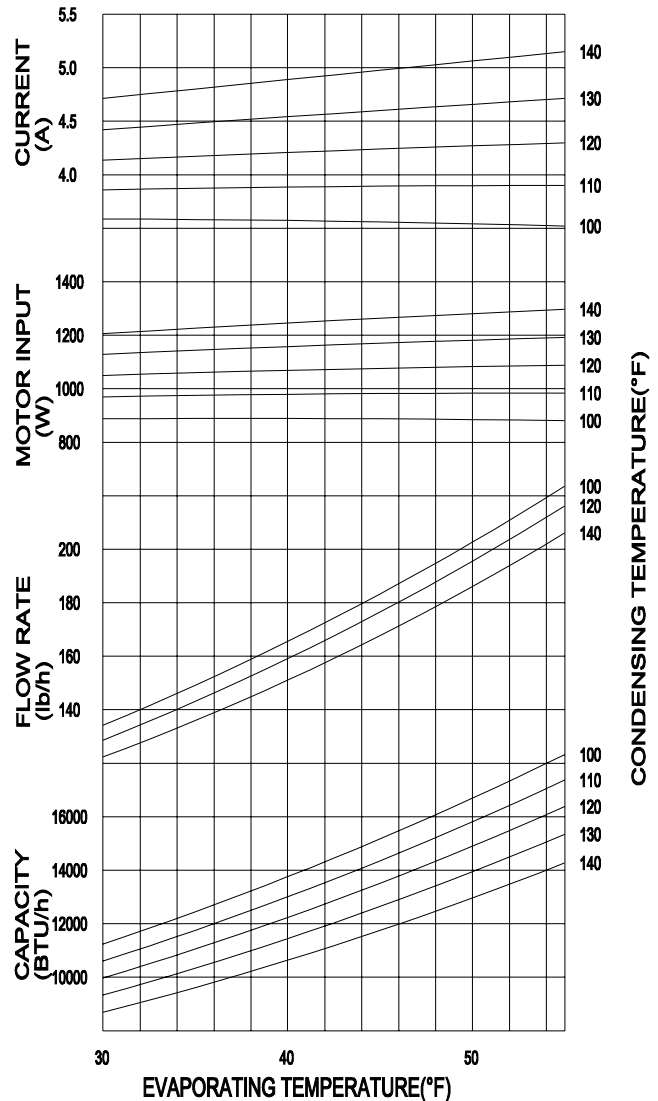
Condensing Temp.	149°F	65°C
Return Gas Temp.	95°F	35°C
Discharge Gas Temp.	239°F	115°C
Motor Wire Temp.	266°F	130°C

Electrical Components

Overload Protector	7100077	
Texas Instrument part #	MRA98776	
Run Capacitor	30 μF/400 VAC	

¹Rated @ASHRAE/T Conditions

Evaporating Temp.	45°F	7.2°C
Condensing Temp.	130°F	54.4°C
Return Gas Temp.	95°F	35.0°C
Liquid Temp.	115°F	46.1°C
Ambient Temp.	95°F	35.0°C



Performance Data @265V

Based on:

Return gas Temp.	95°F	35.0°C
Liquid sub-cooling	15°F	8.3°C
Ambient	95°F	35.0°C

COND. TEMP.

100°F	110°F	120°F	130°F	140°F
37.8°C	43.3°C	48.9°C	54.4°C	60°C

EVAP. TEMP.

35° F 1.7°C	Btu/hr	12445	11750	11050	10335	9610
	Watts	890	975	1060	1145	1225
Amperes	3.6	3.9	4.2	4.5	4.8	

45° F 7.2°C	Btu/hr	15165	14350	13505	12640	11745
	Watts	885	980	1075	1170	1265
Amperes	3.6	3.9	4.2	4.6	5.0	

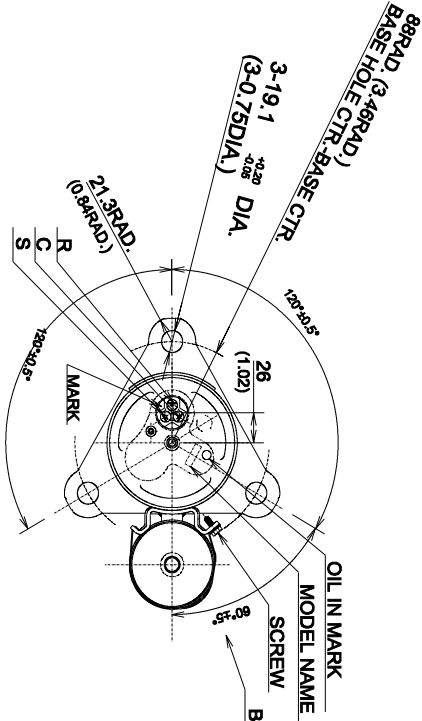
55° F 12.8°C	Btu/hr	18320	17365	16375	15345	14270
	Watts	880	985	1085	1190	1295
Amperes	3.5	3.9	4.3	4.7	5.2	

BTU 13,000

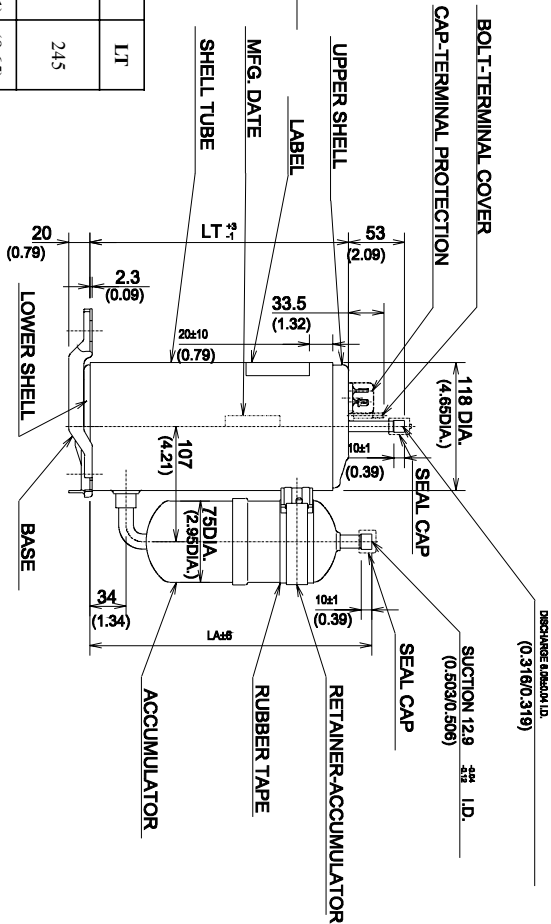
2P19S3R276A-1A

265/277 V, 60 Hz R-22

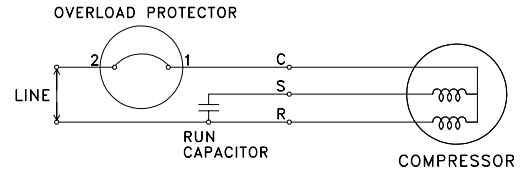
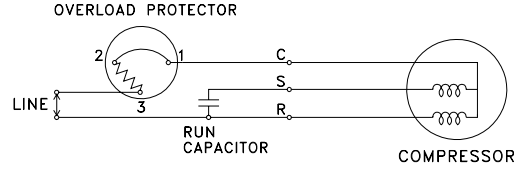
BTU 13,000



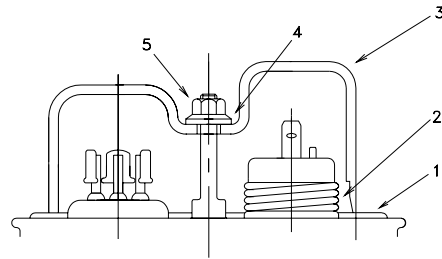
L/A	272	LA	(10.71)
L/T	245	LT	(9.65)



WIRING DIAGRAM

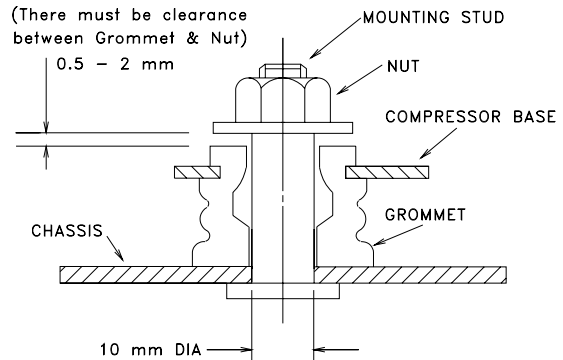


COMPRESSOR ACCESSORIES



Accessories	Part Number
1 Gasket-Terminal Cover	7070620U
2 Spring-OLP hold down	7041200
3 Terminal Cover	7070219U
4 Gasket-Nut	7070621U
5 Nut-Terminal Cover	7080300
Grommet	7070815

COMPRESSOR MOUNTING



This document sets forth certain operational parameters and conditions for operation of this product. If this product is operated outside of the parameters and conditions stated herein, buyer assumes sole and full responsibility and shall indemnify seller with respect to all product failures, and all consequences thereof. Operation of the product outside of the parameters and conditions specified herein shall serve to invalidate all seller warranties, if any, with respect to the product. Use this document as reference only. For specifications, please contact Panasonic's engineering department.

Panasonic Industrial Company

Air Conditioning Department

2P20S3R126B-1A

115 V, 60 Hz R-22

2P20S3R126B-1A

Application	Cooling (C) / Heating (H)	
Ref. Charge Limit (C/H)	38.8 oz.	1100 g
Evap. Temp. Range (C/H)	5°F to 53.6°F	-15°C to 12°C
	(C)	14°F to 53.6°F -10°C to 12°C
Specification Number	SC-52170756-D	

Rated Performance¹

Capacity	13,315 Btu/hr
Motor Input	1,257 Watts
Current	11.2 Amperes
E.E.R.	10.59 Btu/hr/ W

Compressor Data

Pump Type	Rotary	
Displacement	19.1 cc/rev	
Oil	ATMOS M60 or equivalent	
Oil Charge (Precharged)	11.8 fl. oz.	350 cc
Net Weight	27.3 lb	12.4 kg

Motor Data

Motor Type	Permanent Split Capacitor	
Locked Rotor Amperes	62 A at 120 V	
Winding Resistance	Main: 0.619Ω, Aux: 2.179Ω	
Max. Continuous Current ²		

Maximum Operating Conditions

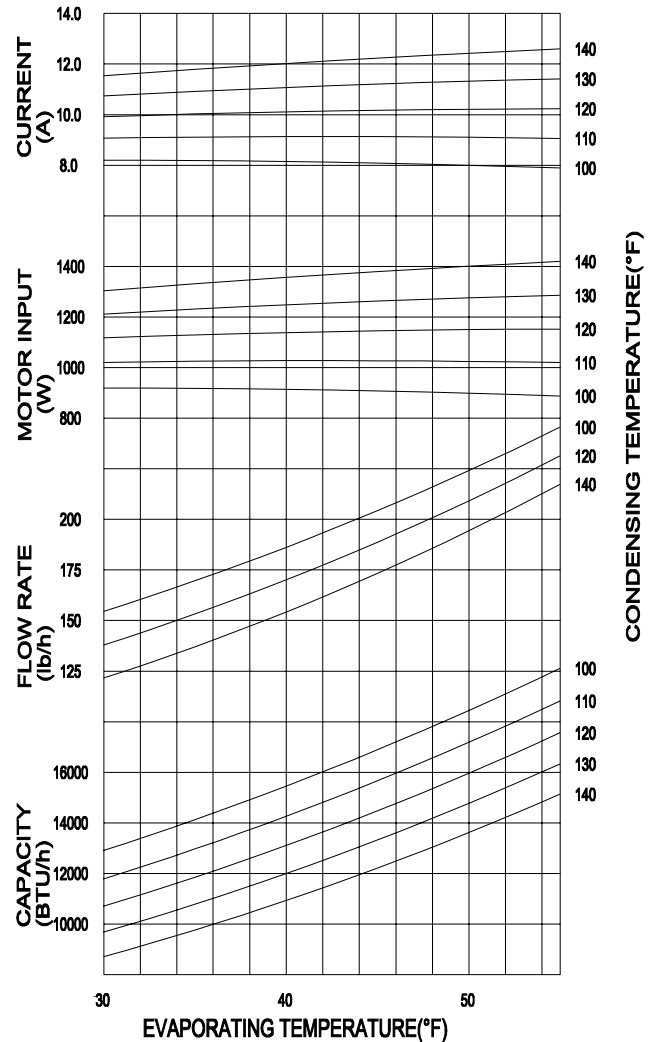
Condensing Temp.	149°F	65°C
Return Gas Temp.	95°F	35°C
Discharge Gas Temp.	239°F	115°C
Motor Wire Temp.	266°F	130°C

Electrical Components

Overload Protector	7100522	
Texas Instrument part #	MRA 98896	
Run Capacitor	45 μF/260 VAC	

¹Rated @ ASHRAE/T Conditions

Evaporating Temp.	45°F	7.2°C
Condensing Temp.	130°F	54.4°C
Return Gas Temp.	95°F	35.0°C
Liquid Temp.	115°F	46.1°C
Ambient Temp.	95°F	35.0°C



Performance Data

Based on:

Return gas Temp.	95°F	35.0°C
Liquid sub-cooling	15°F	8.3°C
Ambient	95°F	35.0°C

COND. TEMP.

100°F	110°F	120°F	130°F	140°F
37.8°C	43.3°C	48.9°C	54.4°C	60°C

EVAP. TEMP.

35° F 1.7°C	Btu/hr	13040	12325	11610	10900	10200
	Watts	860	985	1105	1225	1340
	Amperes	7.9	8.9	9.9	10.9	12.0

45° F 7.2°C	Btu/hr	15880	15030	14175	13315	12445
	Watts	860	995	1125	1255	1385
	Amperes	7.8	8.9	10.0	11.2	12.4

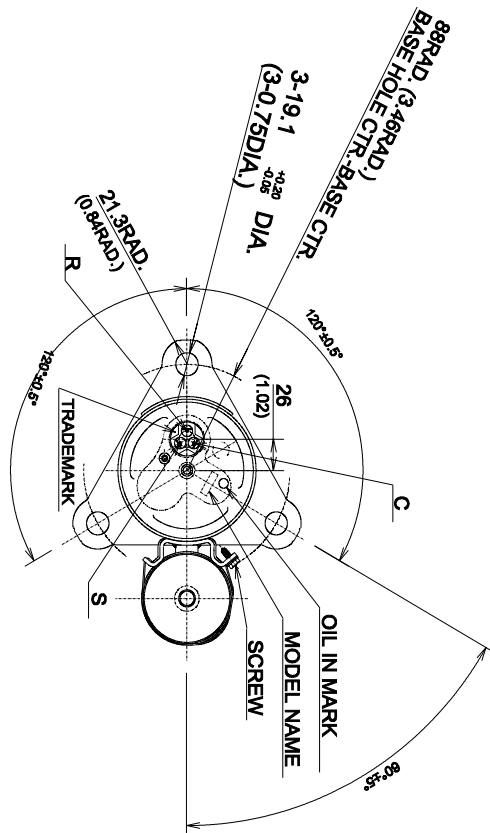
55° F 12.8°C	Btu/hr	19175	18195	17195	16170	15120
	Watts	850	995	1140	1285	1425
	Amperes	7.6	8.8	10.1	11.4	12.8

BTU 13,000

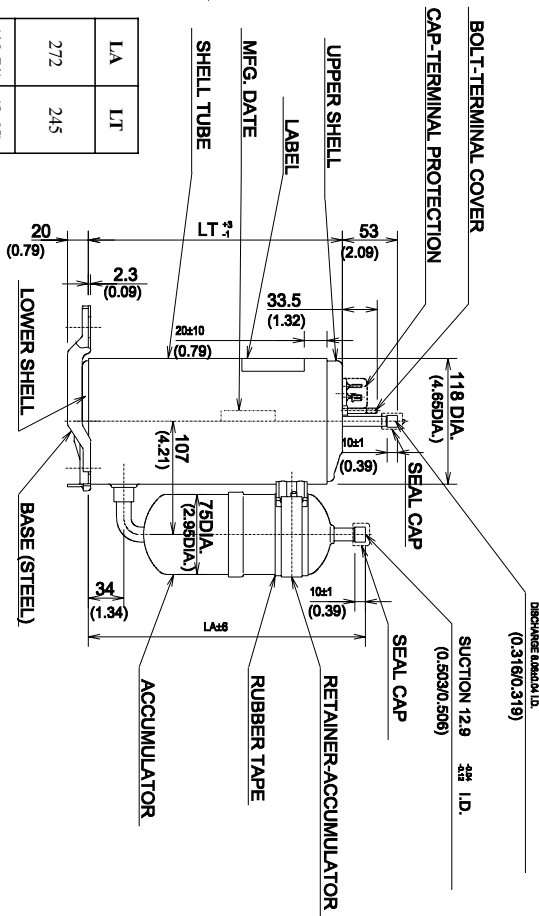
2P20S3R126B-1A

115 V, 60 Hz R-22

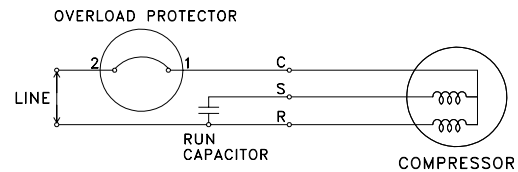
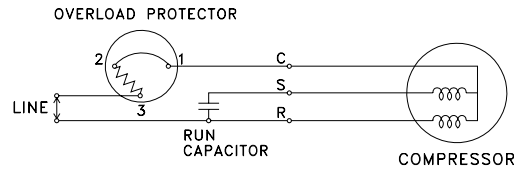
BTU 13,000



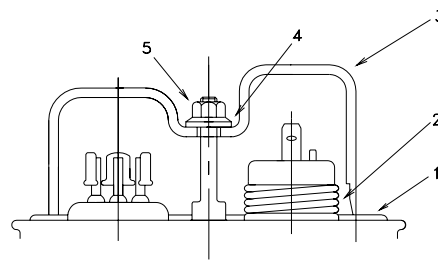
L/A	L/T
272	245
(10.71)	(9.65)



WIRING DIAGRAM

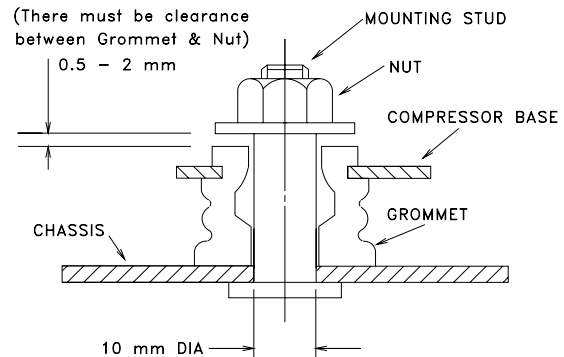


COMPRESSOR ACCESSORIES



Accessories	Part Number
1 Gasket-Terminal Cover	7070620U
2 Spring-OLP hold down	7041200
3 Terminal Cover	7070219U
4 Gasket-Nut	7070621U
5 Nut-Terminal Cover	7080300
Grommet	7070815

COMPRESSOR MOUNTING



This document sets forth certain operational parameters and conditions for operation of this product. If this product is operated outside of the parameters and conditions stated herein, buyer assumes sole and full responsibility and shall indemnify seller with respect to all product failures, and all consequences thereof. Operation of the product outside of the parameters and conditions specified herein shall serve to invalidate all seller warranties, if any, with respect to the product. Use this document as reference only. For specifications, please contact Panasonic's engineering department.

Panasonic Industrial Company

Air Conditioning Department

2P20S3R236A-1A

208/230 V, 60 Hz R-22

2P20S3R236A-1A

Application	Cooling (C) / Heating (H)	
Ref. Charge Limit (C/H)	38.8 oz.	1100 g
Evap. Temp. Range (C/H)	5°F to 53.6°F	-15°C to 12°C
	(C)	14°F to 53.6°F -10°C to 12°C
Specification Number	SC-52170462-C	

Rated Performance @230V¹

Capacity	13,330 Btu/hr
Motor Input	1,235 Watts
Current	5.4 Amperes
E.E.R.	10.79 Btu/hr/ W

Compressor Data

Pump Type	Rotary	
Displacement	19.1 cc/rev	
Oil	ATMOS M60 or equivalent	
Oil Charge (Precharged)	11.80 fl. oz.	350 cc
Net Weight	28.0 lb	12.7 kg

Motor Data

Motor Type	Permanent Split Capacitor	
Locked Rotor Amperes	34 A at 240 V	
Winding Resistance	Main: 2.157Ω, Aux: 2.655Ω	
Max. Continuous Current ²		

Maximum Operating Conditions

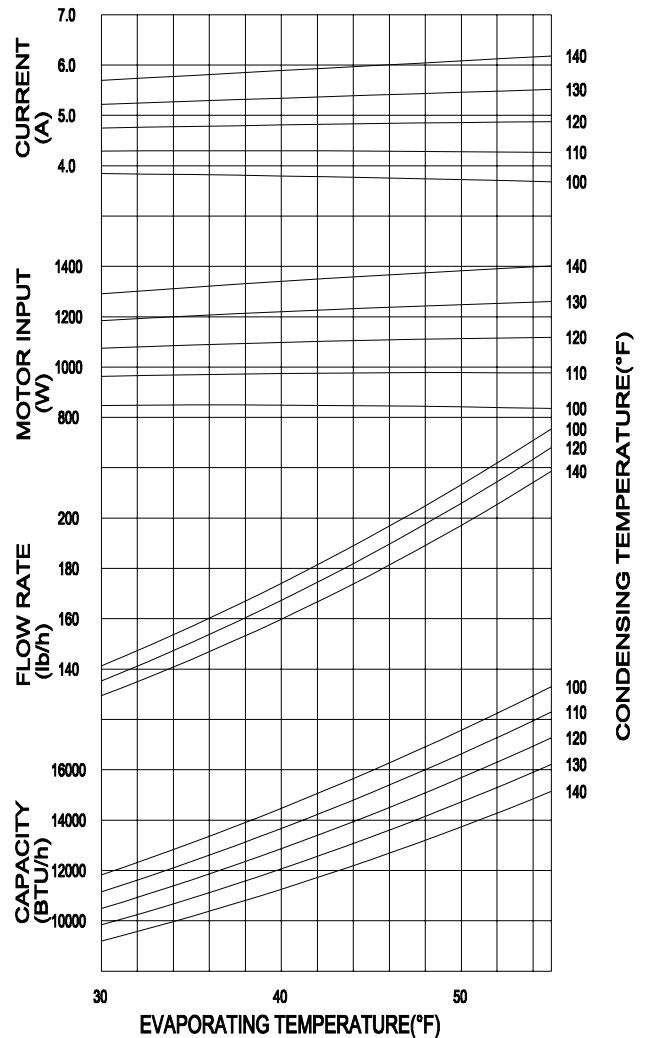
Condensing Temp.	149°F	65°C
Return Gas Temp.	95°F	35°C
Discharge Gas Temp.	239°F	115°C
Motor Wire Temp.	266°F	130°C

Electrical Components

Overload Protector	7100078	
Texas Instrument part #	MRA 98768	
Run Capacitor	30 μF/370 VAC	

¹Rated @ ASHRAE/T Conditions

Evaporating Temp.	45°F	7.2°C
Condensing Temp.	130°F	54.4°C
Return Gas Temp.	95°F	35.0°C
Liquid Temp.	115°F	46.1°C
Ambient Temp.	95°F	35.0°C



BTU 13,000

Performance Data @230V

Based on:

Return gas Temp.	95°F	35.0°C
Liquid sub-cooling	15°F	8.3°C
Ambient	95°F	35.0°C

COND. TEMP.

100°F	110°F	120°F	130°F	140°F
37.8°C	43.3°C	48.9°C	54.4°C	60°C

EVAP. TEMP.

35° F 1.7°C	Btu/hr	13090	12350	11620	10890	10170
	Watts	850	970	1085	1205	1315
	Amperes	3.8	4.3	4.8	5.3	5.8

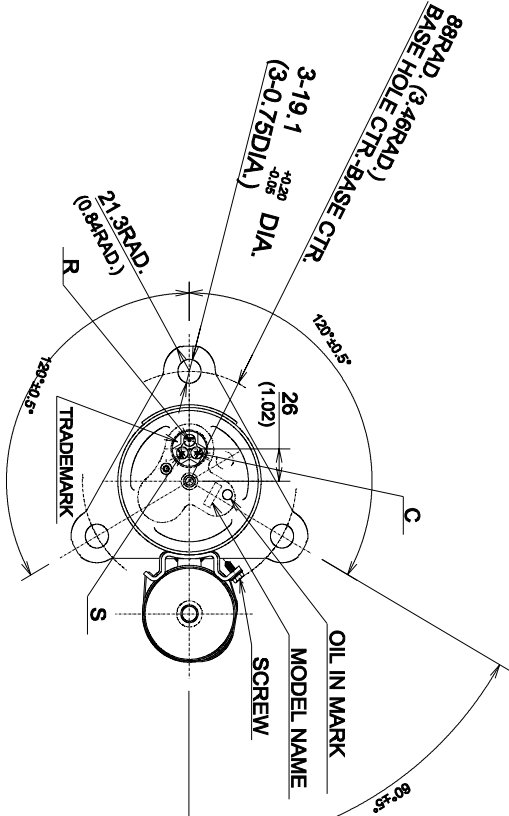
45° F 7.2°C	Btu/hr	15960	15090	14215	13330	12435
	Watts	845	975	1105	1235	1360
	Amperes	3.8	4.3	4.8	5.4	6.0

55° F 12.8°C	Btu/hr	19290	18290	17260	16210	15135
	Watts	835	975	1120	1260	1400
	Amperes	3.7	4.3	4.9	5.5	6.2

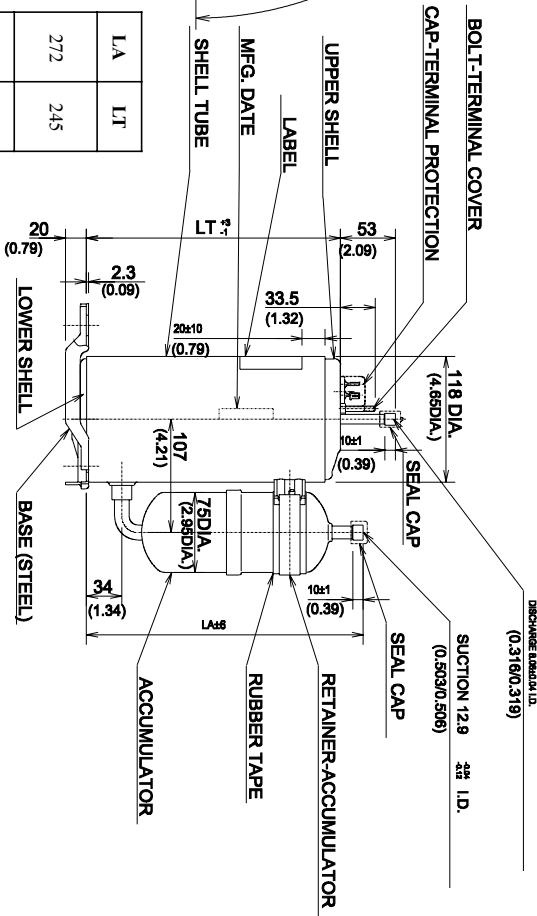
2P20S3R236A-1A

208/230 V, 60 Hz R-22

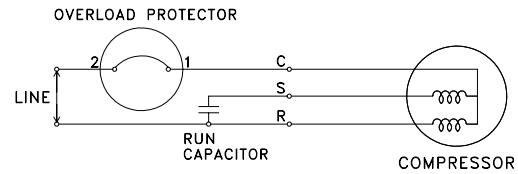
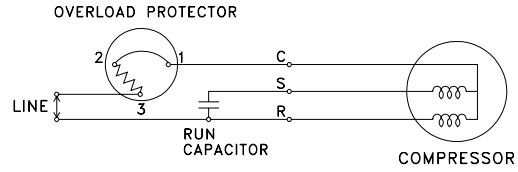
BTU 13,000



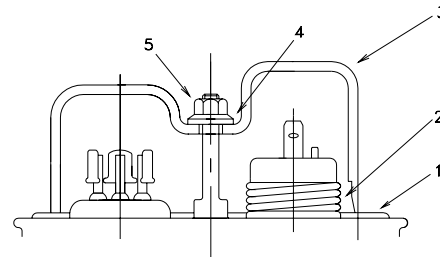
L/A	272	L/T	245
	(10.71)		(9.65)



WIRING DIAGRAM

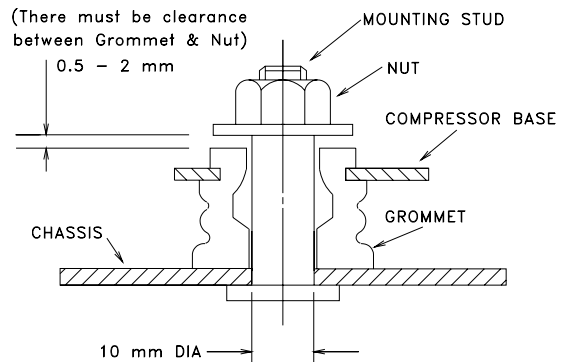


COMPRESSOR ACCESSORIES



Accessories	Part Number
1 Gasket-Terminal Cover	7070620U
2 Spring-OLP hold down	7041200
3 Terminal Cover	7070219U
4 Gasket-Nut	7070621U
5 Nut-Terminal Cover	7080300
Grommet	7070815

COMPRESSOR MOUNTING



This document sets forth certain operational parameters and conditions for operation of this product. If this product is operated outside of the parameters and conditions stated herein, buyer assumes sole and full responsibility and shall indemnify seller with respect to all product failures, and all consequences thereof. Operation of the product outside of the parameters and conditions specified herein shall serve to invalidate all seller warranties, if any, with respect to the product. Use this document as reference only. For specifications, please contact Panasonic's engineering department.

Panasonic Industrial Company

Air Conditioning Department

5PS102FAD21

208/230V, 60Hz R-410a

5PS102FAD21

Application	Cooling (C) / Heating (H)	
Ref. Charge Limit (C/H)	24.0 oz.	680 g
	(C) 28.2 oz.	800 g
Evaporating Temp Range (C/H)	5°F to 53.6 °F	-15°C to 12°C
	(C) 14°F to 53.6 °F	-10°C to 12°C

Rated Performance at 230 V

Capacity	9,710 BTU/h
Motor Input	1040 Watts
Current	4.55 Amperes

Compressor Data

Pump Type	Rotary	
Displacement	10.2 cm ³ /rev.	
Oil	FV50S (PVE) or equivalent	
Oil Charge (Precharged)	11.83 fl. Oz.	350 cm ³
Net Weight	26.2 lb.	11.9 kg

Motor Data

Motor Type	Permanent Split Capacitor	
Locked Rotor Amperes	26 A at 240 V	
Winding Resistance ²	Main: _____Ω	Aux: _____Ω
Max. Continuous Current ²	_____	

Maximum Operating Conditions

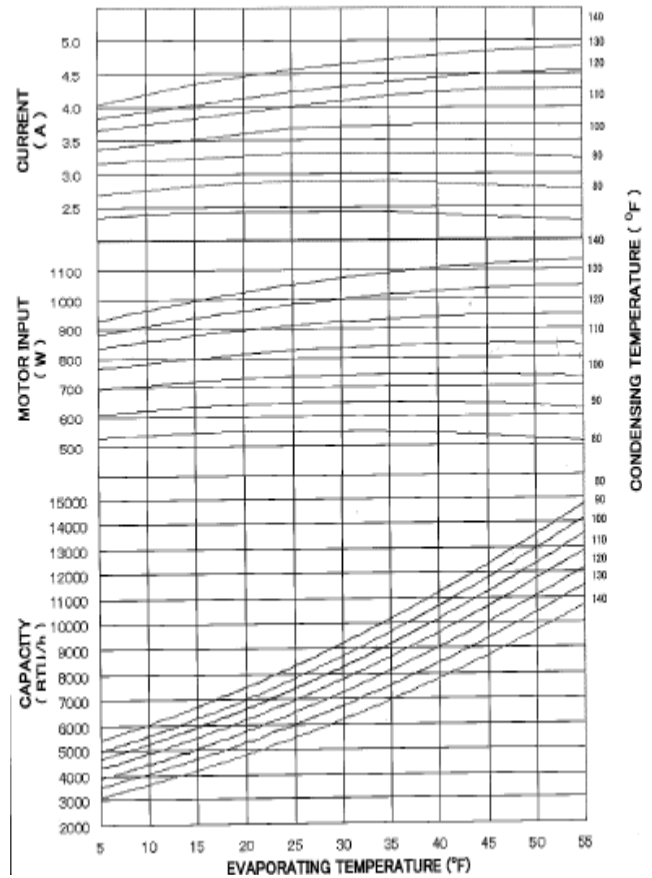
Condensing Temp.	149°F	65°C
Return Gas Temp.	95°F	35°C
Discharge Gas Temp.	239°F	115°C
Motor Wire Temp.	266°F	130°C

Electrical Components

Overload Protector	7100553
Texas Instrument part#	MRA 99027-9201
Run Capacitor	30 μF / 330 V

Rated at ASHRAE/T Conditions

Evaporating Temp.	45°F	7.2°C
Condensing Temp.	130°F	54.4°C
Return Gas Temp.	95°F	35.0°C
Liquid Temp.	115°F	46.1°C
Ambient Temp.	95°F	35.0°C



Performance Data

Based on Voltage 230 V, Frequency 60 Hz

Return Gas	65°F	18.3°C
Liquid Sub Cooling	15°F	-9.4°C
Ambient, Air Over 1m/s	95°F	35.0°C

COND. TEMP.

100°F	110°F	120°F	130°F	140°F
37.8°C	43.3°C	48.9°C	54.4°C	60°C

EVAP. TEMP.

35°F 1.7°C	Btu/h	9177	8682	8131	7549	6964
	Watts	747	841	931	1015	1089
	Amperes	3.3	3.7	4.2	4.4	4.7

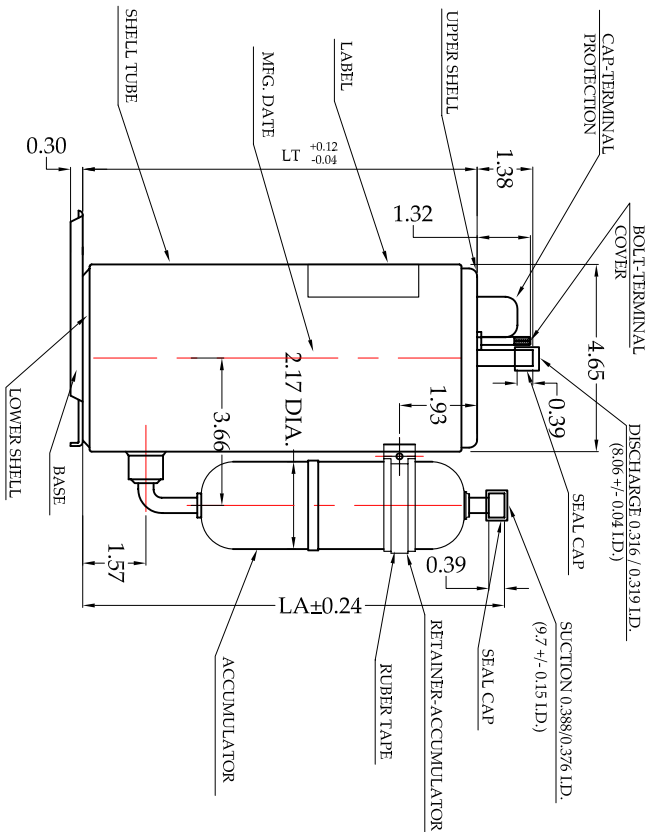
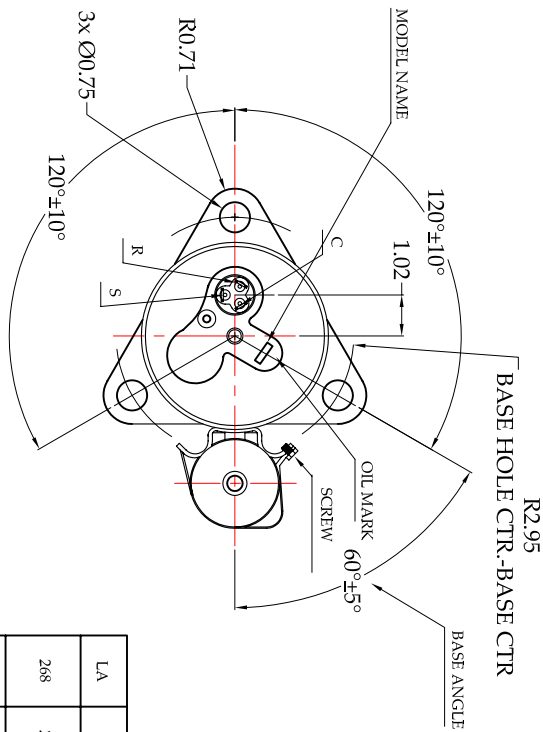
45°F 7.2°C	Btu/h	11215	10633	10025	9385	8710
	Watts	737	847	945	1035	1119
	Amperes	3.3	3.8	4.3	4.5	4.8

55°F 12.8°C	Btu/h	13576	12882	12149	11477	10691
	Watts	734	844	945	1045	1132
	Amperes	3.2	3.7	4.3	4.6	4.9

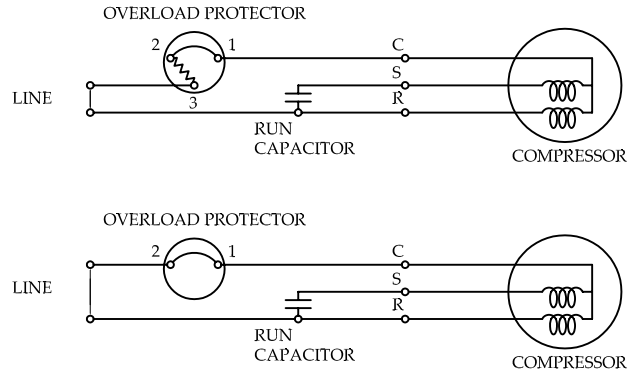
5PS102FAD21

115 V, 60 Hz R410A

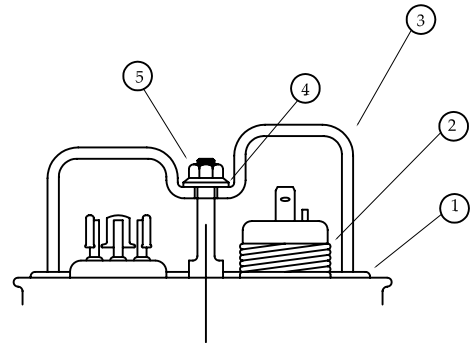
BTU 10,000



WIRING DIAGRAM



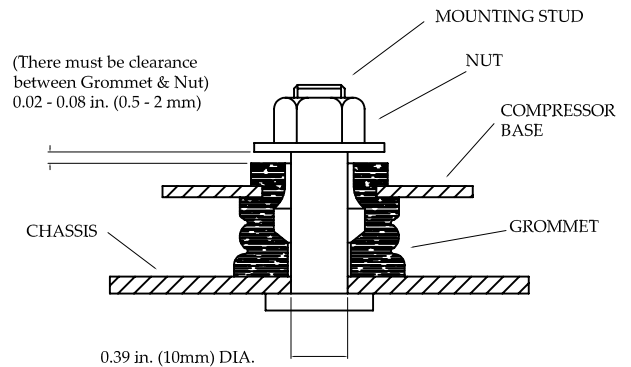
COMPRESSOR ACCESSORIES



ACCESSORIES	PART NUMBER
-------------	-------------

1	Gasket-Terminal Cover	7070620U
2	Spring - OLP hold down	7041200
3	Terminal Cover	7070219U
4	Gasket - Nut	7070621U
5	Nut - Terminal Cover	7080300
	Grommet	7070815

COMPRESSOR MOUNTING



This document sets forth certain operational parameters and conditions for operation of this product. If this product is operated outside of the parameters and conditions stated herein, buyer assumes sole and full responsibility and shall indemnify seller with respect to all product failures, and all the consequences thereof. Operation of the product outside of the parameters and conditions specified herein shall serve to invalidate all seller warranties, if any, with respect to the product. Use this document as reference only. For specifications please contact Panasonic's engineering department.

Panasonic Industrial Company

Air Conditioning Department

5PS102UCA21

115V, 60Hz R-410a

5PS102UCA21

Application	Cooling (C) / Heating (H)	
Ref. Charge Limit (C/H)	28.2 oz.	635 g
	(C)	26.5 oz. 750 g
Evaporating Temp Range (C/H)	5°F to 53.6 °F	-15°C to 12°C
	(C)	14°F to 53.6 °F -10°C to 12°C

Rated Performance at 115 V

Capacity	9,880 BTU/h
Motor Input	1050 Watts
Current	9.30 Amperes

Compressor Data

Pump Type	Rotary	
Displacement	10.2 cm ³ /rev.	
Oil	FV50S (PVE) or equivalent	
Oil Charge (Precharged)	11.83 fl. Oz.	350 cm ³
Net Weight	25.6 lb.	11.6 kg

Motor Data

Motor Type	Permanent Split Capacitor	
Locked Rotor Amperes	53 A at 120 V	
Winding Resistance ²	Main: _____Ω, Aux: _____Ω	
Max. Continuous Current ²	_____	

Maximum Operating Conditions

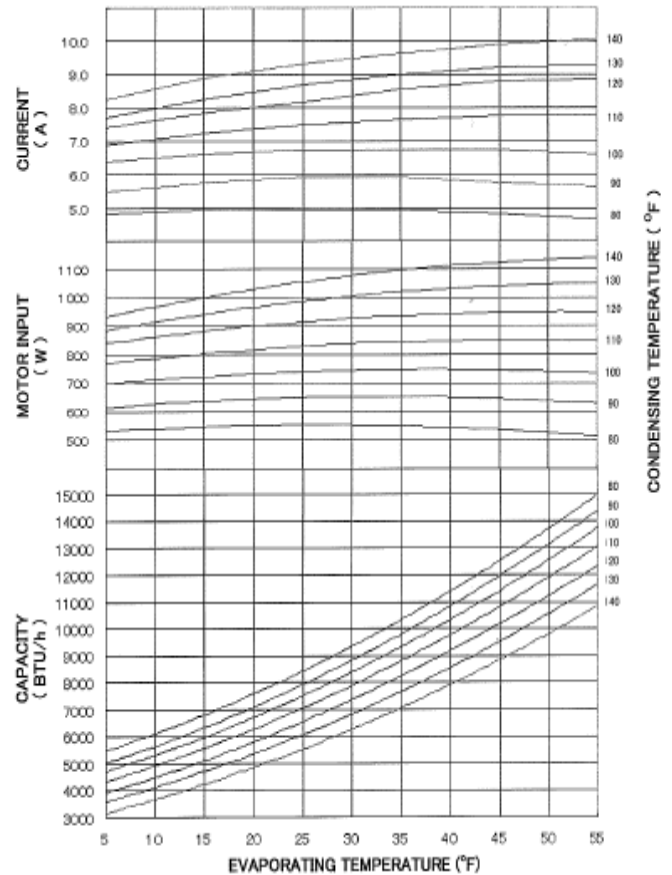
Condensing Temp.	149°F	65°C
Return Gas Temp.	95°F	35°C
Discharge Gas Temp.	239°F	115°C
Motor Wire Temp.	266°F	130°C

Electrical Components

Overload Protector	7100032
Texas Instrument part#	MRA 98695
Run Capacitor	40 μF / 250 V

Rated at ASHRAE/T Conditions

Evaporating Temp.	45°F	7.2°C
Condensing Temp.	130°F	54.4°C
Return Gas Temp.	95°F	35.0°C
Liquid Temp.	115°F	46.1°C
Ambient Temp.	95°F	35.0°C



Performance Data

Based on Voltage 115 V, Frequency 60 Hz

Return Gas	65°F	18.3°C
Liquid Sub Cooling	15°F	-9.4°C
Ambient, Air Over 1m/s	95°F	35.0°C

COND. TEMP.

100°F	110°F	120°F	130°F	140°F
37.8°C	43.3°C	48.9°C	54.4°C	60°C

EVAP. TEMP.

35°F 1.7°C	Btu/h	9390	8806	8248	7658	7064
	Watts	750	845	936	1020	1094
	Amperes	6.7	7.7	8.6	9.0	9.6

45°F 7.2°C	Btu/h	11376	10786	10169	9520	8836
	Watts	740	851	949	1040	1124
	Amperes	6.7	7.8	8.8	9.2	9.9

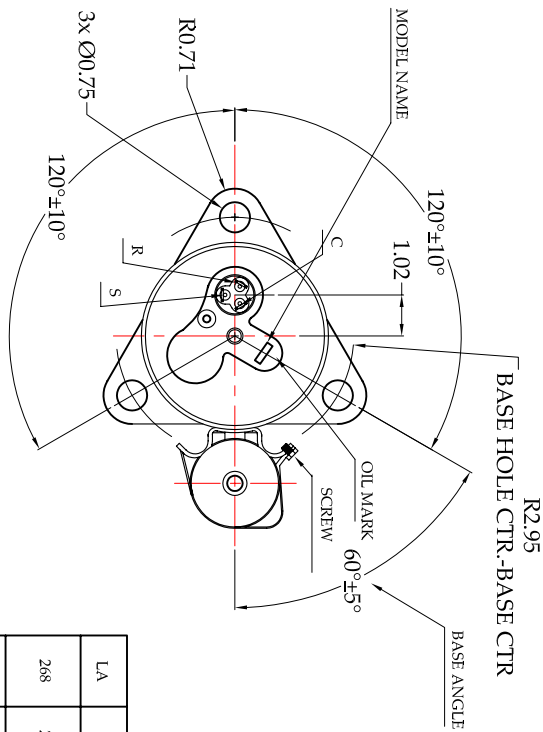
55°F 12.8°C	Btu/h	13771	13067	12324	11642	10844
	Watts	737	848	949	1050	1138
	Amperes	6.6	7.8	8.9	9.3	10.0

5PS102UAC21

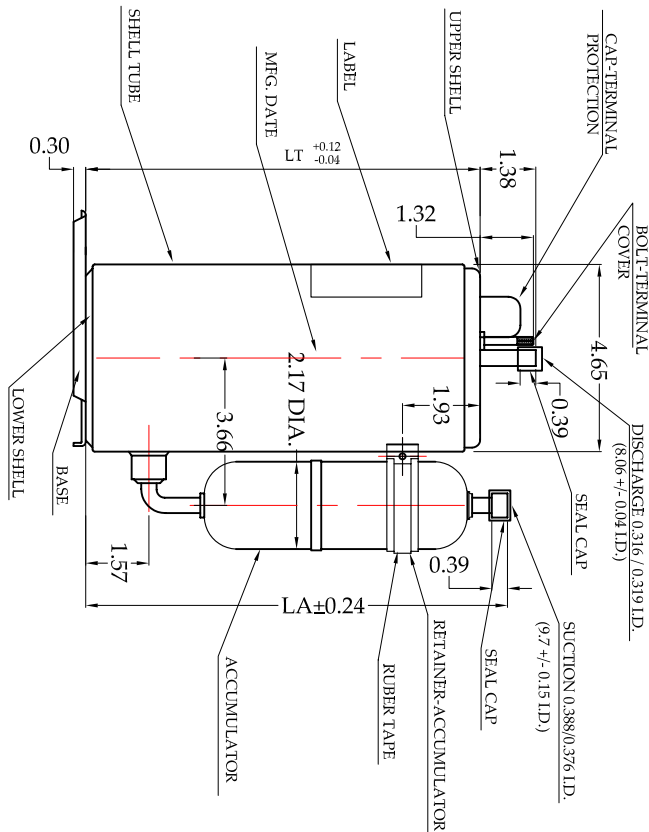
115 V, 60 Hz

R410A

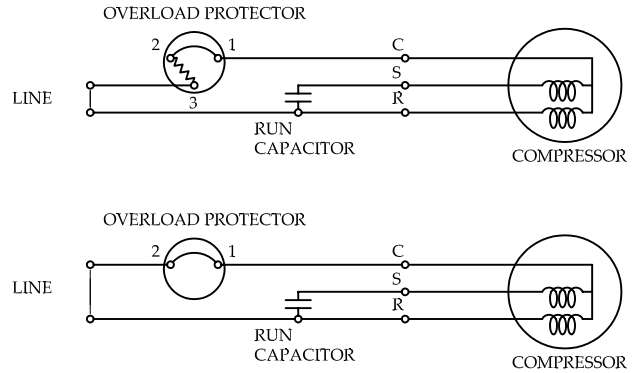
BTU 10,000



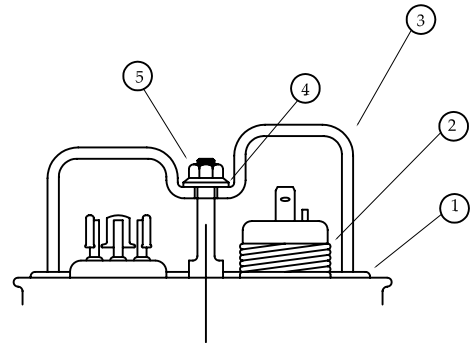
LA	268	LT	249
(10.55)	(9.80)		



WIRING DIAGRAM

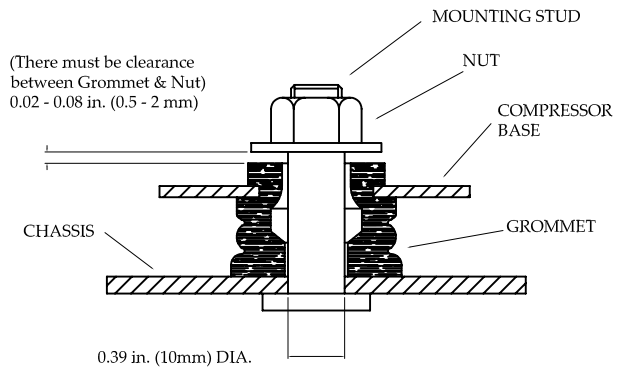


COMPRESSOR ACCESSORIES



ACCESSORIES	PART NUMBER
1 Gasket-Terminal Cover	7070620U
2 Spring - OLP hold down	7041200
3 Terminal Cover	7070219U
4 Gasket - Nut	7070621U
5 Nut - Terminal Cover	7080300
Grommet	7070815

COMPRESSOR MOUNTING



This document sets forth certain operational parameters and conditions for operation of this product. If this product is operated outside of the parameters and conditions stated herein, buyer assumes sole and full responsibility and shall indemnify seller with respect to all product failures, and all the consequences thereof. Operation of the product outside of the parameters and conditions specified herein shall serve to invalidate all seller warranties, if any, with respect to the product. Use this document as reference only. For specifications please contact Panasonic's engineering department.

Panasonic Industrial Company

Air Conditioning Department

5PS112FAB21

208/230V, 60Hz R-410a

5PS112FAB21

Application	Cooling (C) / Heating (H)	
Ref. Charge Limit (C/H)	38.8 oz.	1100 g
Evaporating Temp Range (C/H)	5°F to 53.6 °F	-15°C to 12°C
	(C) 14°F to 53.6 °F	-10°C to 12°C

Rated Performance at 230 V

Capacity	10,955 BTU/h
Motor Input	1100 Watts
Current	4.85 Amperes

Compressor Data

Pump Type	Rotary	
Displacement	11.2 cm ³ /rev.	
Oil	FV50S (PVE) Or equivalent	
Oil Charge (Precharged)	11.83 fl. Oz.	350 cm ³
Net Weight	26.9 lb.	12.2 kg

Motor Data

Motor Type	Permanent Split Capacitor	
Locked Rotor Amperes	33 A at 240 V	
Winding Resistance ²	Main: _____Ω, Aux: _____Ω	
Max. Continuous Current ²	_____	

Maximum Operating Conditions

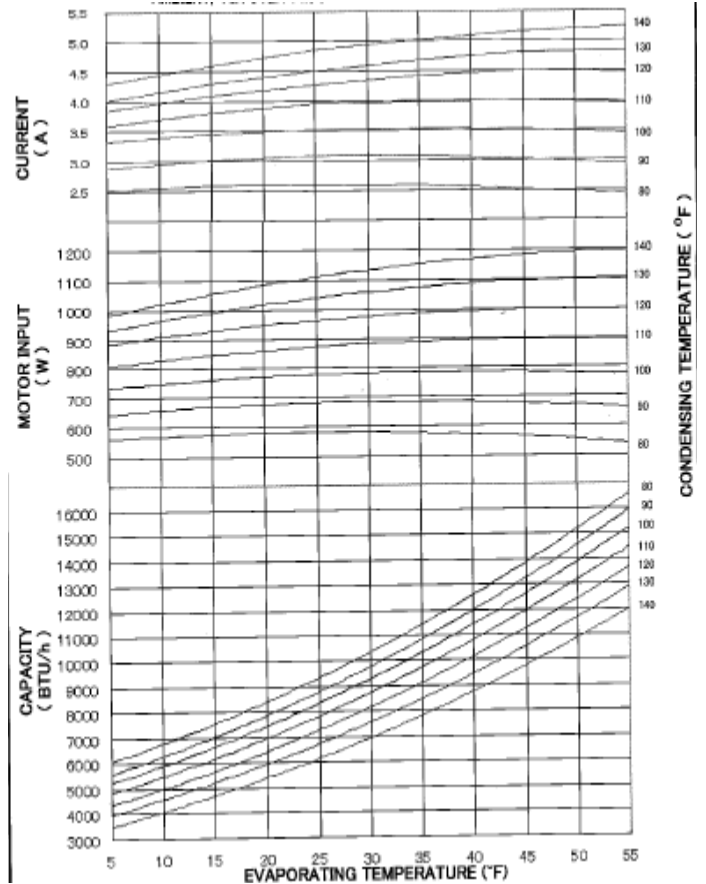
Condensing Temp.	149°F	65°C
Return Gas Temp.	95°F	35°C
Discharge Gas Temp.	239°F	115°C
Motor Wire Temp.	266°F	130°C

Electrical Components

Overload Protector	7100050
Texas Instrument part#	MRA 98533
Run Capacitor	30 μF / 330 V

Rated at ASHRAE/T Conditions

Evaporating Temp.	45°F	7.2°C
Condensing Temp.	130°F	54.4°C
Return Gas Temp.	95°F	35.0°C
Liquid Temp.	115°F	46.1°C
Ambient Temp.	95°F	35.0°C



Performance Data

Based on Voltage 230 V, Frequency 60 Hz
 Return Gas 65°F 18.3°C
 Liquid Sub Cooling 15°F -9.4°C
 Ambient, Air Over 1m/s 95°F 35.0°C

COND. TEMP.				
100°F	110°F	120°F	130°F	140°F
37.8°C	43.3°C	48.9°C	54.4°C	60°C

EVAP. TEMP.

35°F 1.7°C	Btu/h	10311	9754	9136	8482	7824
	Watts	790	889	985	1074	1152
	Amperes	3.5	4.0	4.4	4.7	5.0

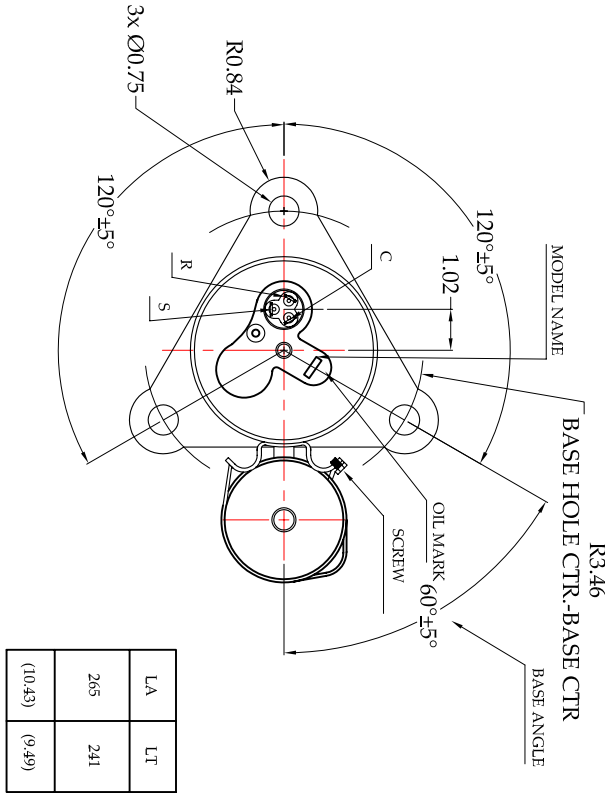
45°F 7.2°C	Btu/h	12600	11946	11264	10545	9786
	Watts	780	897	999	1095	1184
	Amperes	3.5	4.0	4.5	4.8	5.2

55°F 12.8°C	Btu/h	15253	14473	13650	12895	12011
	Watts	776	893	999	1106	1198
	Amperes	3.4	3.9	4.5	4.8	5.2

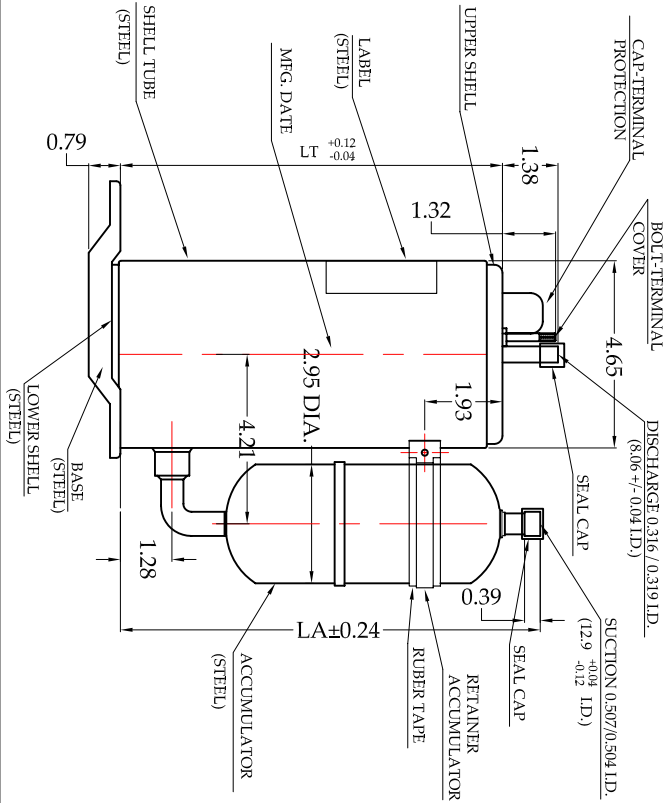
5PS112FAB21

208 / 230 V, 60 Hz R410A

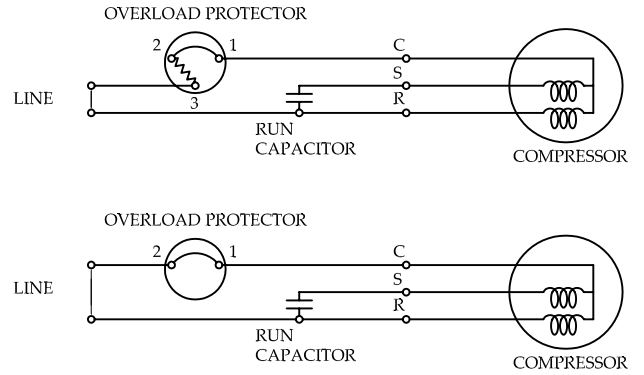
BTU 11,000



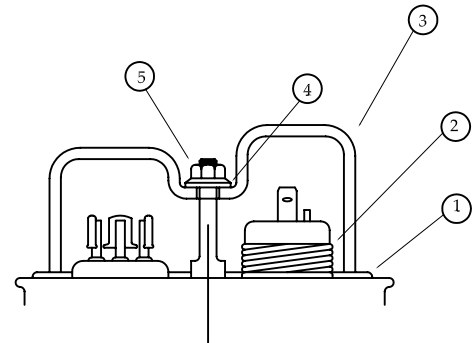
LA	265	LT	241
(10.43)		(9.49)	



WIRING DIAGRAM



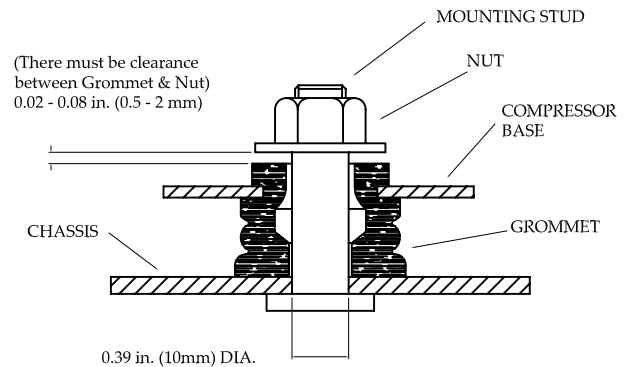
COMPRESSOR ACCESSORIES



ACCESSORIES	PART NUMBER
-------------	-------------

1	Gasket-Terminal Cover	7070620U
2	Spring - OLP hold down	7041200
3	Terminal Cover	7070219U
4	Gasket - Nut	7070621U
5	Nut - Terminal Cover	7080300
	Grommet	7070815

COMPRESSOR MOUNTING



This document sets forth certain operational parameters and conditions for operation of this product. If this product is operated outside of the parameters and conditions stated herein, buyer assume sole and full responsibility and shall indemnify seller with respect to all product failures, and all the consequences thereof. Operation of the product outside of the parameters and conditions specified herein shall serve to invalidate all seller warranties, if any, with respect to the product. Use this document as reference only. For specifications please contact Panasonic's engineering department.

Panasonic Industrial Company

Air Conditioning Department

5PS112UAA21

115V, 60Hz R-410a

5PS112UAA21

Application	Cooling (C) / Heating (H)	
Ref. Charge Limit (C/H)	38.8 oz.	1100 g
Evaporating Temp Range (C/H)	5°F to 53.6 °F	-15°C to 12°C
	(C) 14°F to 53.6 °F	-10°C to 12°C

Rated Performance at 115 V

Capacity	10,953 BTU/h
Motor Input	1135 Watts
Current	10.1 Amperes

Compressor Data

Pump Type	Rotary	
Displacement	11.2 cm ³ /rev.	
Oil	FV50S (PVE) Or equivalent	
Oil Charge (Precharged)	11.83 fl. Oz.	350 cm ³
Net Weight	26.0 lb.	11.8 kg

Motor Data

Motor Type	Permanent Split Capacitor	
Locked Rotor Amperes	58 A at 120 V	
Winding Resistance ²	Main: ___Ω, Aux: ___Ω	
Max. Continuous Current ²	_____	

Maximum Operating Conditions

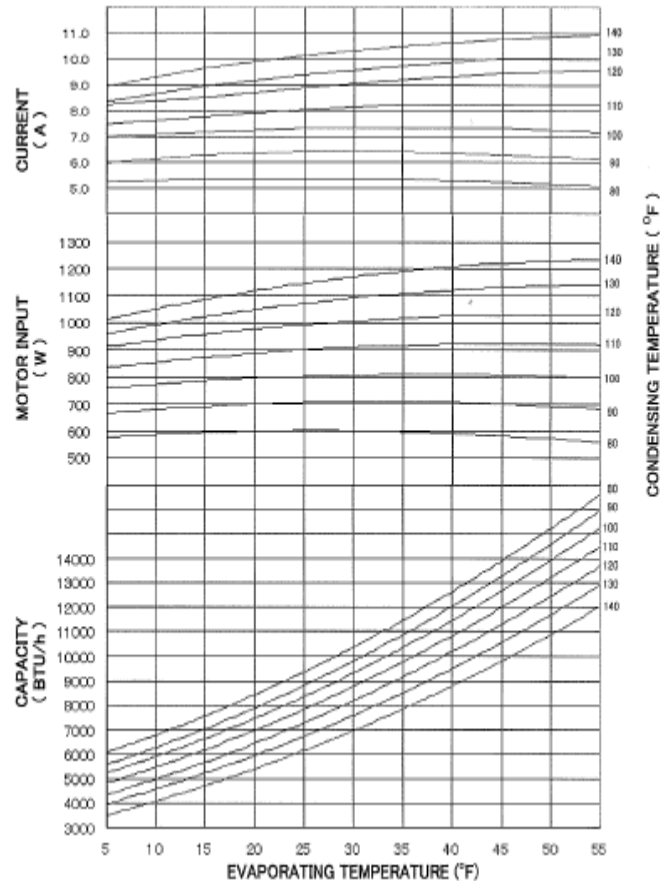
Condensing Temp.	149°F	65°C
Return Gas Temp.	95°F	35°C
Discharge Gas Temp.	239°F	115°C
Motor Wire Temp.	266°F	130°C

Electrical Components

Overload Protector ²	
Texas Instrument part#	MRA 98695
Run Capacitor	45 μF / 250 V

Rated at ASHRAE/T Conditions

Evaporating Temp.	45°F	7.2°C
Condensing Temp.	130°F	54.4°C
Return Gas Temp.	95°F	35.0°C
Liquid Temp.	115°F	46.1°C
Ambient Temp.	95°F	35.0°C



Performance Data

Based on Voltage 115 V, Frequency 60 Hz
 Return Gas 65°F 18.3°C
 Liquid Sub Cooling 15°F -9.4°C
 Ambient, Air Over 1m/s 95°F 35.0°C

COND. TEMP.				
100°F	110°F	120°F	130°F	140°F
37.8°C	43.3°C	48.9°C	54.4°C	60°C

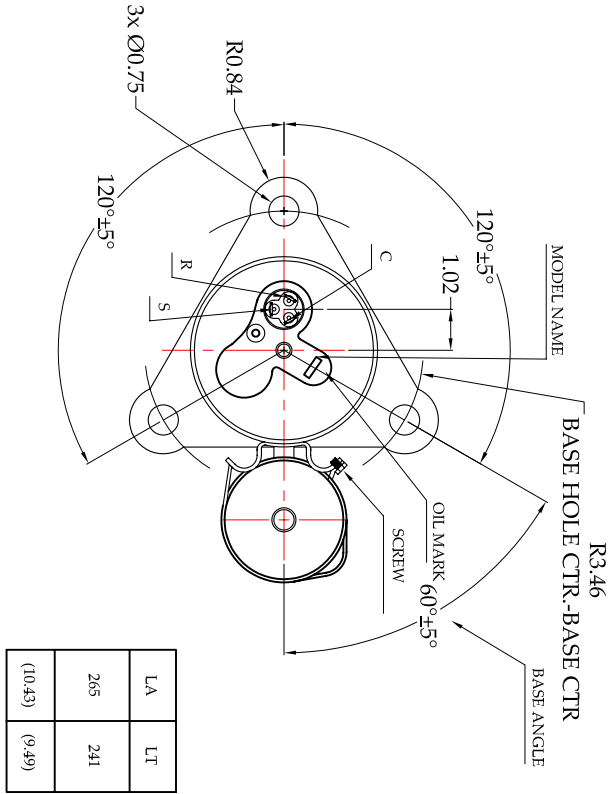
EVAP. TEMP.						
35°F 1.7°C	Btu/h	10326	9768	9149	8494	7835
	Watts	815	918	1017	1108	1188
	Amperes	7.3	8.2	9.2	9.8	10.5
45°F 7.2°C	Btu/h	12618	11963	11279	10560	9800
	Watts	805	925	1031	1130	1221
	Amperes	7.3	8.2	9.5	10.0	10.8
55°F 12.8°C	Btu/h	15274	14493	13669	12913	12028
	Watts	801	922	1031	1141	1236
	Amperes	7.2	8.2	9.6	10.0	10.9

5PS112UAA21

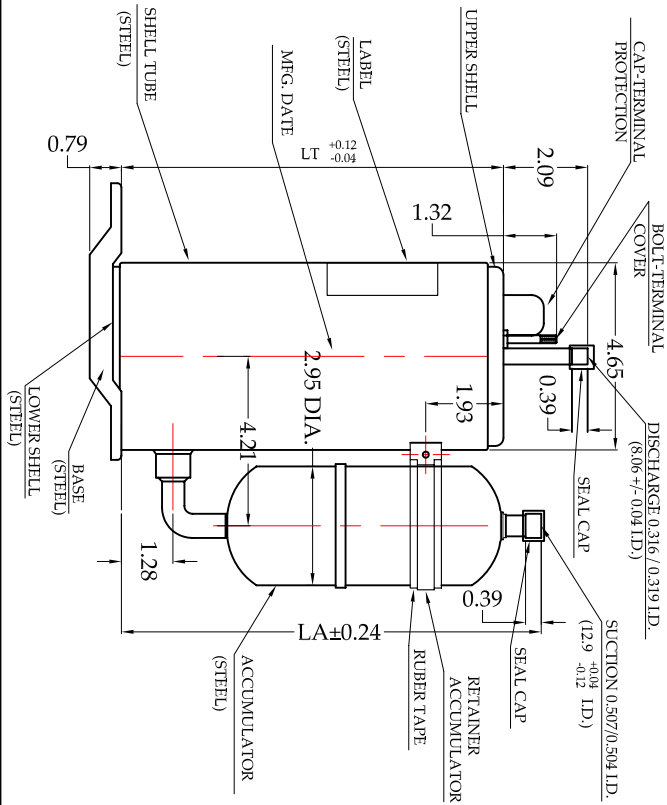
115 V, 60 Hz

R410A

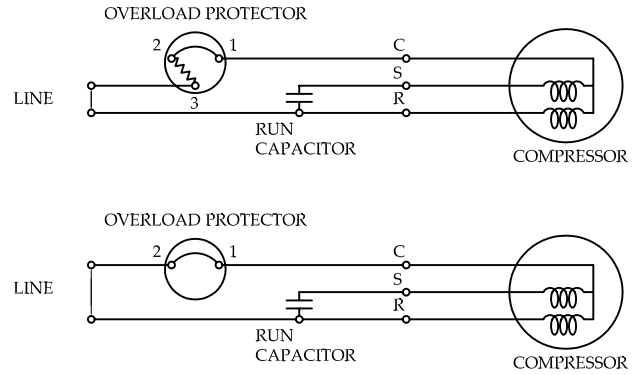
BTU 11,000



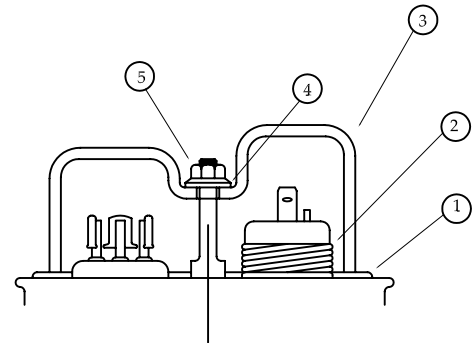
LA	265	LA	(10.43)
LT	241	LT	(9.49)



WIRING DIAGRAM



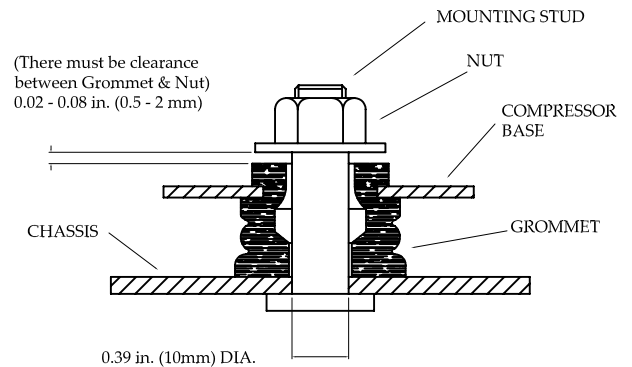
COMPRESSOR ACCESSORIES



ACCESSORIES	PART NUMBER
-------------	-------------

1	Gasket-Terminal Cover	7070620U
2	Spring - OLP hold down	7041200
3	Terminal Cover	7070219U
4	Gasket - Nut	7070621U
5	Nut - Terminal Cover	7080300
	Grommet	7070815

COMPRESSOR MOUNTING



This document sets forth certain operational parameters and conditions for operation of this product. If this product is operated outside of the parameters and conditions stated herein, buyer assumes sole and full responsibility and shall indemnify seller with respect to all product failures, and all the consequences thereof. Operation of the product outside of the parameters and conditions specified herein shall serve to invalidate all seller warranties, if any, with respect to the product. Use this document as reference only. For specifications please contact Panasonic's engineering department.

Panasonic Industrial Company

Air Conditioning Department

5PS132FAA21

208/230V, 60Hz R-410a

5PS132FAA21

Application	Cooling (C) / Heating (H)	
Ref. Charge Limit (C/H)	24.0 oz.	680 g
	(C)	28.2 oz. 800 g
Evaporating Temp Range (C/H)	5°F to 53.6 °F	-15°C to 12°C
	(C)	14°F to 53.6 °F -10°C to 12°C

Rated Performance at 230 V

Capacity	13,010 BTU/h
Motor Input	1335 Watts
Current	5.90 Amperes

Compressor Data

Pump Type	Rotary	
Displacement	13.2 cm ³ /rev.	
Oil	FV50S (PVE)	
	Or equivalent	
Oil Charge (Precharged)	11.80 fl. Oz.	350 cm ³
Net Weight	25.8 lb.	11.7 kg

Motor Data

Motor Type	Permanent Split Capacitor	
Locked Rotor Amperes	34 A at 240 V	
Winding Resistance ²	Main: ___Ω, Aux: ___Ω	
Max. Continuous Current ²	_____	

Maximum Operating Conditions

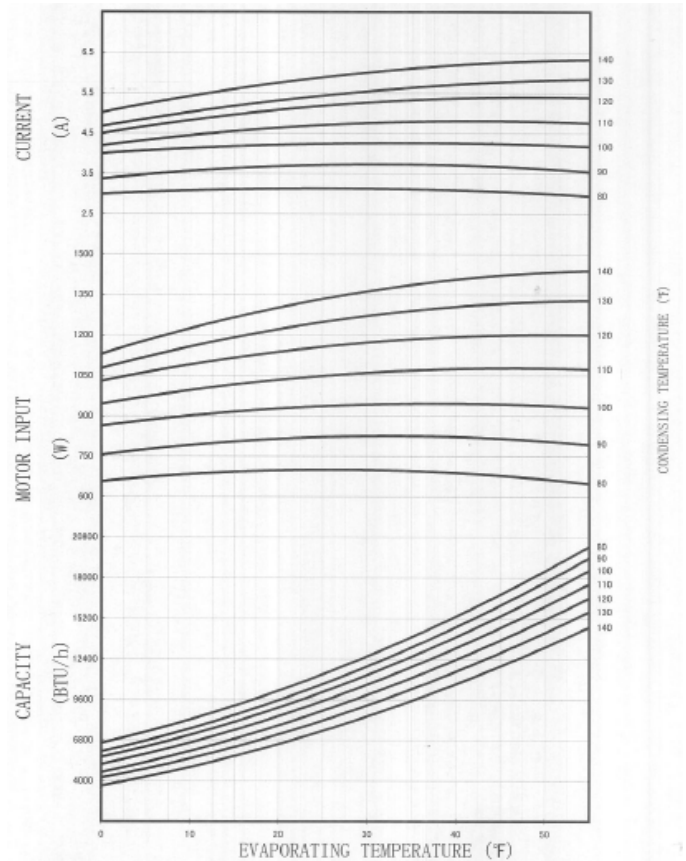
Condensing Temp.	149°F	65°C
Return Gas Temp.	95°F	35°C
Discharge Gas Temp.	239°F	115°C
Motor Wire Temp.	266°F	130°C

Electrical Components

Overload Protector	7100792 / 7100078
Texas Instrument part#	MRA 98768-9090 / 98768
Run Capacitor	30 μF / 370 V

Rated at ASHRAE/T Conditions

Evaporating Temp.	45°F	7.2°C
Condensing Temp.	130°F	54.4°C
Return Gas Temp.	95°F	35.0°C
Liquid Temp.	115°F	46.1°C
Ambient Temp.	95°F	35.0°C



Performance Data

Based on Voltage 230 V, Frequency 60 Hz
 Return Gas 65°F 18.3°C
 Liquid Sub Cooling 15°F -9.4°C
 Ambient, Air Over 1m/s 95°F 35.0°C

COND. TEMP.

100°F	110°F	120°F	130°F	140°F
37.8°C	43.3°C	48.9°C	54.4°C	60°C

EVAP. TEMP.

35°F 1.7°C	Btu/h	12520	11845	11095	10300	9500
	Watts	950	1070	1185	1290	1385
	Amperes	4.3	4.8	5.3	5.7	6.1

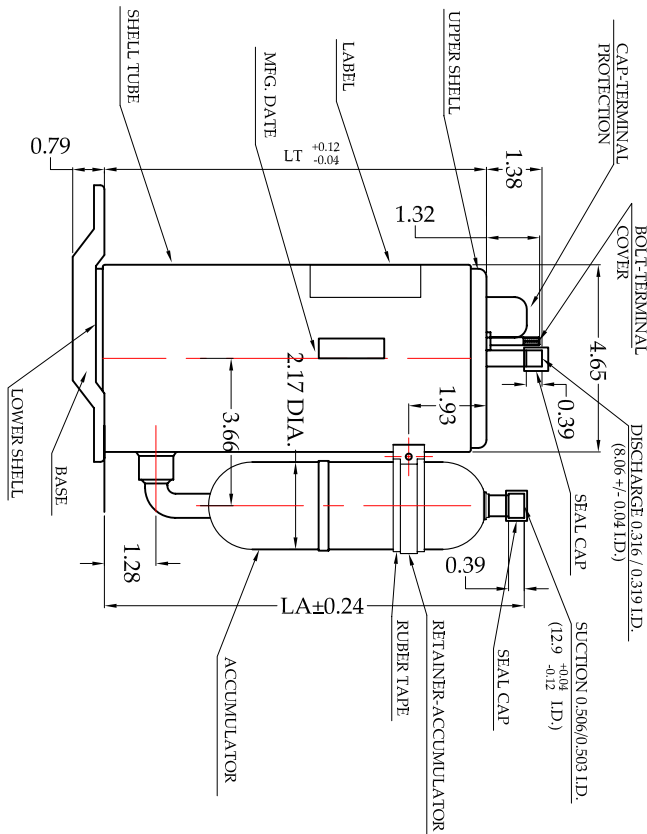
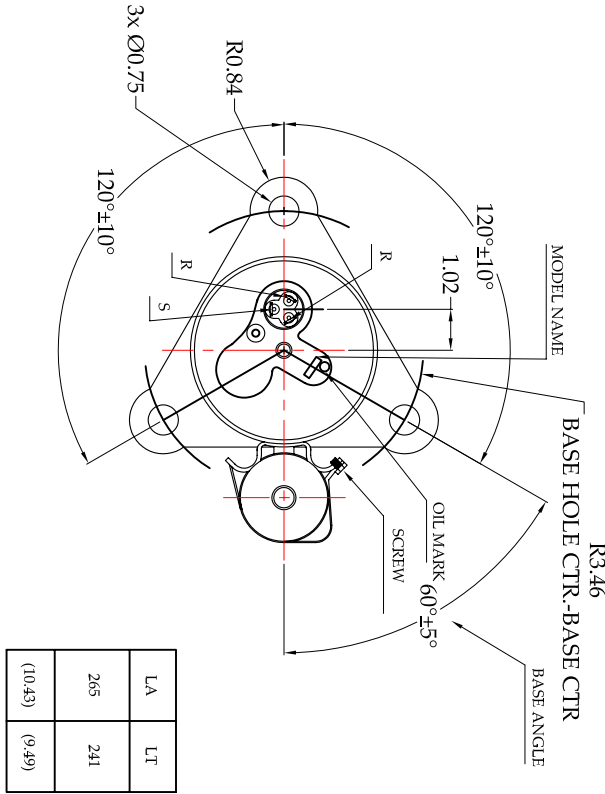
45°F 7.2°C	Btu/h	15300	14510	13680	12805	11885
	Watts	935	1075	1200	1315	1420
	Amperes	4.3	4.8	5.6	5.8	6.3

55°F 12.8°C	Btu/h	18525	17575	16575	15660	14585
	Watts	930	1070	1200	1330	1440
	Amperes	4.2	4.8	5.3	5.8	6.4

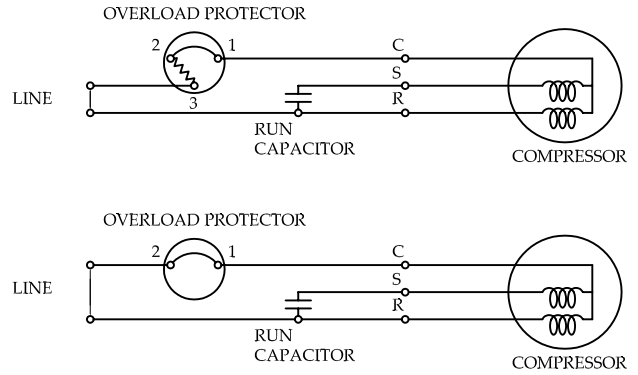
5PS132FAA21

208 / 230 V, 60 Hz R410A

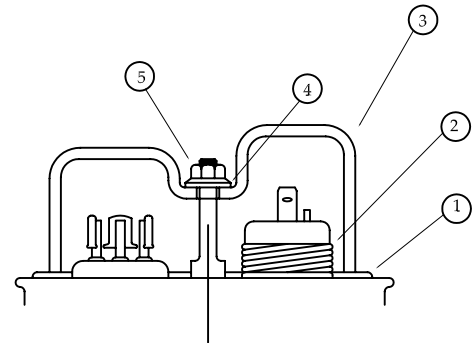
BTU 13,000



WIRING DIAGRAM

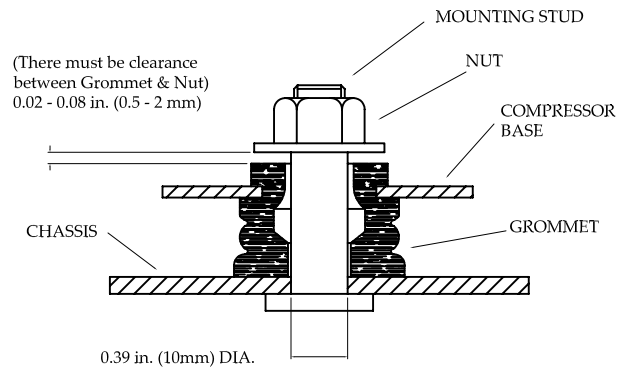


COMPRESSOR ACCESSORIES



ACCESSORIES	PART NUMBER
1 Gasket-Terminal Cover	7070620U
2 Spring - OLP hold down	7041200
3 Terminal Cover	7070219U
4 Gasket - Nut	7070621U
5 Nut - Terminal Cover	7080300
Grommet	7070815

COMPRESSOR MOUNTING



This document sets forth certain operational parameters and conditions for operation of this product. If this product is operated outside of the parameters and conditions stated herein, buyer assume sole and full responsibility and shall indemnify seller with respect to all product failures, and all the consequences thereof. Operation of the product outside of the parameters and conditions specified herein shall serve to invalidate all seller warranties, if any, with respect to the product. Use this document as reference only. For specifications please contact Panasonic's engineering department.

Panasonic Industrial Company

Air Conditioning Department

5PS132UAB21

115V, 60Hz R-410a

5PS132UAB21

Application	Cooling (C) / Heating (H)	
Ref. Charge Limit (C/H)	24.0 oz.	680 g
	(C)	28.2 oz. 800 g
Evaporating Temp Range (C/H)	5°F to 53.6 °F	-15°C to 12°C
	(C)	14°F to 53.6 °F -10°C to 12°C

Rated Performance at 115 V

Capacity	12,890 BTU/h
Motor Input	1360 Watts
Current	12.15 Amperes

Compressor Data

Pump Type	Rotary	
Displacement	13.2 cm ³ /rev.	
Oil	FV50S (PVE)	
	Or equivalent	
Oil Charge (Precharged)	11.8 fl. Oz.	350 cm ³
Net Weight	25.8 lb.	11.7 kg

Motor Data

Motor Type	Permanent Split Capacitor	
Locked Rotor Amperes	62 A at 120 V	
Winding Resistance ²	Main: _____Ω	Aux: _____Ω
Max. Continuous Current ²	_____	

Maximum Operating Conditions

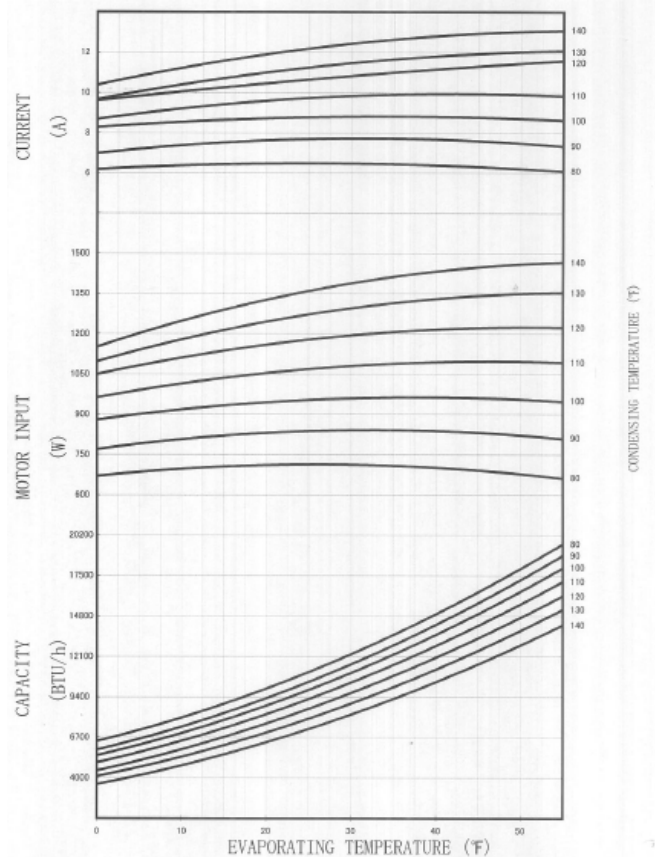
Condensing Temp.	149°F	65°C
Return Gas Temp.	95°F	35°C
Discharge Gas Temp.	239°F	115°C
Motor Wire Temp.	266°F	130°C

Electrical Components

Overload Protector	7100795 / 7100522
Texas Instrument part#	MRA 98896-9091 / 98896-9200
Run Capacitor	45 μF / 260 V

Rated at ASHRAE/T Conditions

Evaporating Temp.	45°F	7.2°C
Condensing Temp.	130°F	54.4°C
Return Gas Temp.	95°F	35.0°C
Liquid Temp.	115°F	46.1°C
Ambient Temp.	95°F	35.0°C



Performance Data

Based on Voltage 115 V, Frequency 60 Hz
 Return Gas 65°F 18.3°C
 Liquid Sub Cooling 15°F -9.4°C
 Ambient, Air Over 1m/s 95°F 35.0°C

COND. TEMP.

100°F	110°F	120°F	130°F	140°F
37.8°C	43.3°C	48.9°C	54.4°C	60°C

EVAP. TEMP.

35°F 1.7°C	Btu/h	12190	11530	10800	10025	9250
	Watts	965	1090	1205	1315	1410
	Amperes	8.8	9.9	11.0	11.7	12.6

45°F 7.2°C	Btu/h	14895	14120	13315	12465	11570
	Watts	955	1095	1225	1340	1450
	Amperes	8.8	9.9	11.5	12.0	12.9

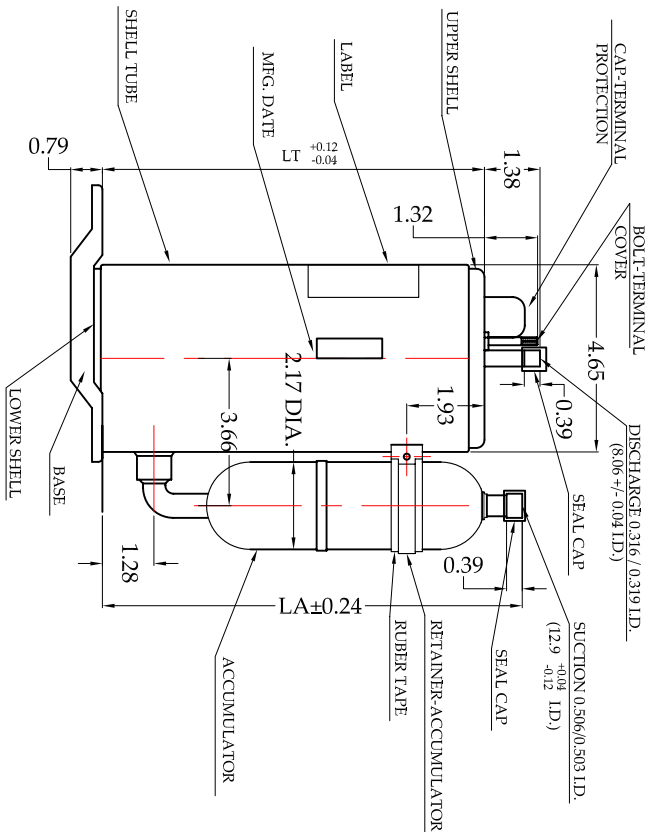
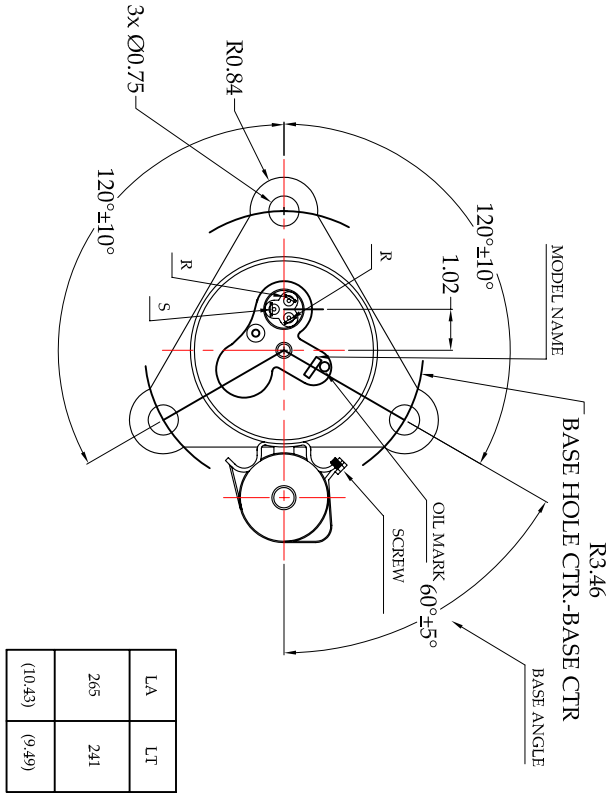
55°F 12.8°C	Btu/h	18030	17110	16135	15245	14200
	Watts	950	1095	1225	1355	1465
	Amperes	8.6	9.9	11.5	12.0	13.1

5PS132UAB21

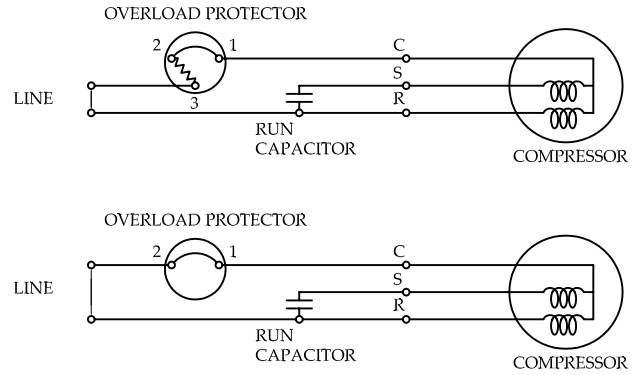
115 V, 60 Hz

R410A

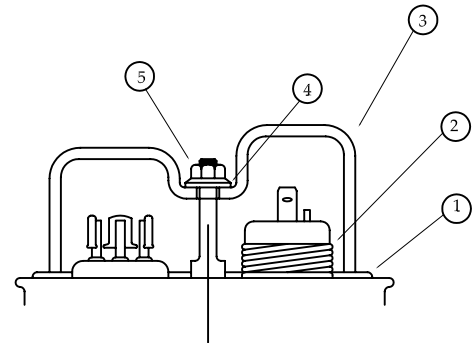
BTU 13,000



WIRING DIAGRAM



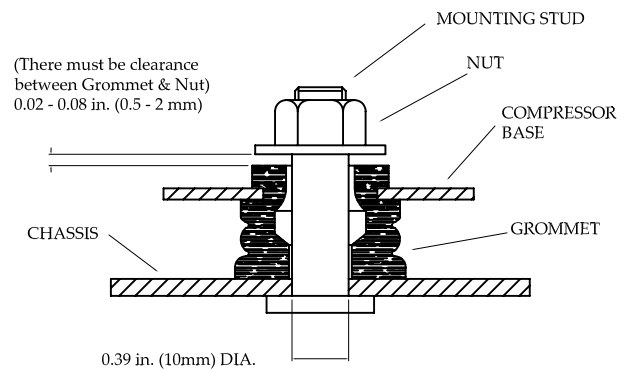
COMPRESSOR ACCESSORIES



ACCESSORIES	PART NUMBER
-------------	-------------

1	Gasket-Terminal Cover	7070620U
2	Spring - OLP hold down	7041200
3	Terminal Cover	7070219U
4	Gasket - Nut	7070621U
5	Nut - Terminal Cover	7080300
	Grommet	7070815

COMPRESSOR MOUNTING



This document sets forth certain operational parameters and conditions for operation of this product. If this product is operated outside of the parameters and conditions stated herein, buyer assume sole and full responsibility and shall indemnify seller with respect to all product failures, and all the consequences thereof. Operation of the product outside of the parameters and conditions specified herein shall serve to invalidate all seller warranties, if any, with respect to the product. Use this document as reference only. For specifications please contact Panasonic's engineering department.

Panasonic Industrial Company

Air Conditioning Department

5PS132UAB21

115V, 60Hz R-410a

5PS132UAB21

Application	Cooling (C) / Heating (H)	
Ref. Charge Limit (C/H)	24.0 oz.	680 g
	(C)	28.2 oz. 800 g
Evaporating Temp Range (C/H)	5°F to 53.6 °F	-15°C to 12°C
	(C)	14°F to 53.6 °F -10°C to 12°C

Rated Performance at 115 V

Capacity	12,890 BTU/h
Motor Input	1360 Watts
Current	12.15 Amperes

Compressor Data

Pump Type	Rotary	
Displacement	13.2 cm ³ /rev.	
Oil	FV50S (PVE)	
	Or equivalent	
Oil Charge (Precharged)	11.8 fl. Oz.	350 cm ³
Net Weight	25.8 lb.	11.7 kg

Motor Data

Motor Type	Permanent Split Capacitor	
Locked Rotor Amperes	62 A at 120 V	
Winding Resistance ²	Main: ___Ω, Aux: ___Ω	
Max. Continuous Current ²	_____	

Maximum Operating Conditions

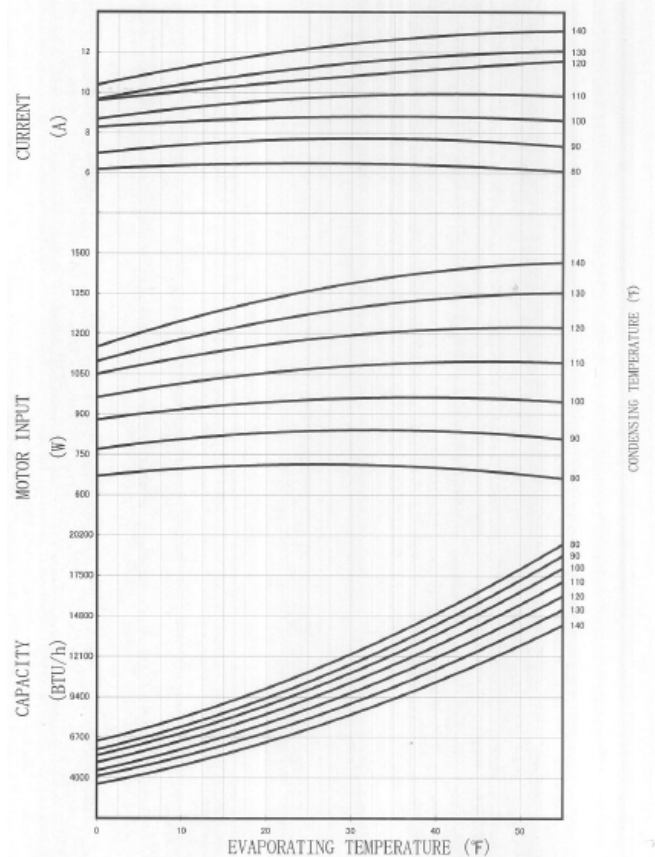
Condensing Temp.	149°F	65°C
Return Gas Temp.	95°F	35°C
Discharge Gas Temp.	239°F	115°C
Motor Wire Temp.	266°F	130°C

Electrical Components

Overload Protector	7100795 / 7100522
Texas Instrument part#	MRA 98896-9091 / 98896-9200
Run Capacitor	45 μF / 260 V

Rated at ASHRAE/T Conditions

Evaporating Temp.	45°F	7.2°C
Condensing Temp.	130°F	54.4°C
Return Gas Temp.	95°F	35.0°C
Liquid Temp.	115°F	46.1°C
Ambient Temp.	95°F	35.0°C



Performance Data

Based on Voltage 115 V, Frequency 60 Hz
 Return Gas 65°F 18.3°C
 Liquid Sub Cooling 15°F -9.4°C
 Ambient, Air Over 1m/s 95°F 35.0°C

COND. TEMP.

100°F	110°F	120°F	130°F	140°F
37.8°C	43.3°C	48.9°C	54.4°C	60°C

EVAP. TEMP.

35°F 1.7°C	Btu/h	12190	11530	10800	10025	9250
	Watts	965	1090	1205	1315	1410
	Amperes	8.8	9.9	11.0	11.7	12.6

45°F 7.2°C	Btu/h	14895	14120	13315	12465	11570
	Watts	955	1095	1225	1340	1450
	Amperes	8.8	9.9	11.5	12.0	12.9

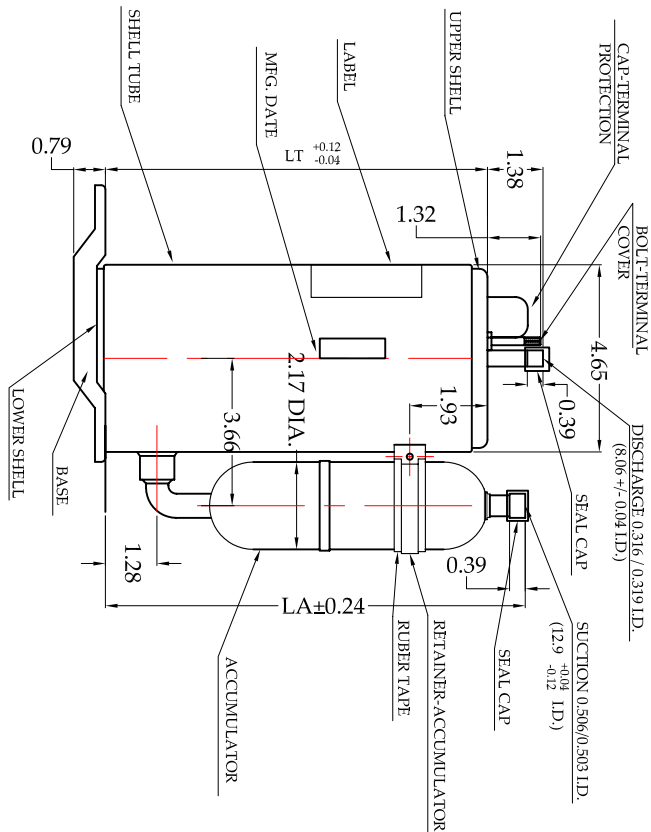
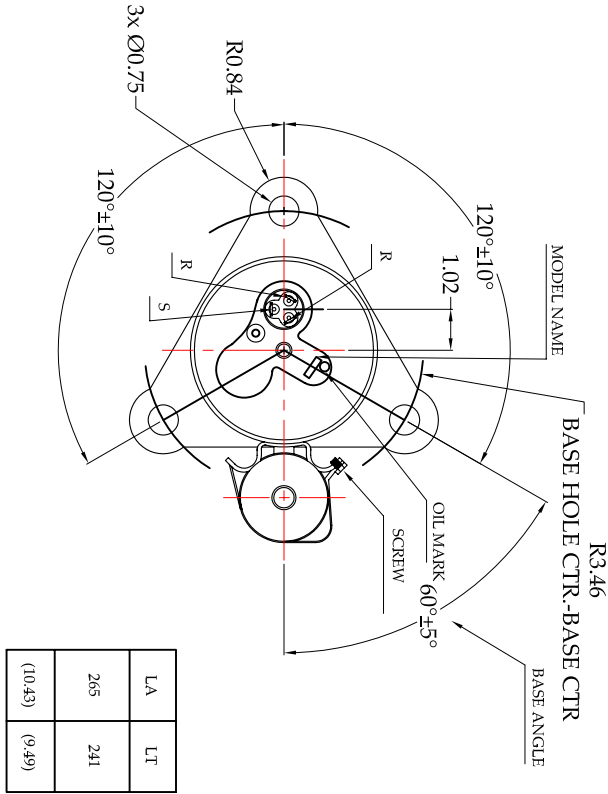
55°F 12.8°C	Btu/h	18030	17110	16135	15245	14200
	Watts	950	1095	1225	1355	1465
	Amperes	8.6	9.9	11.5	12.0	13.1

5PS132UAB21

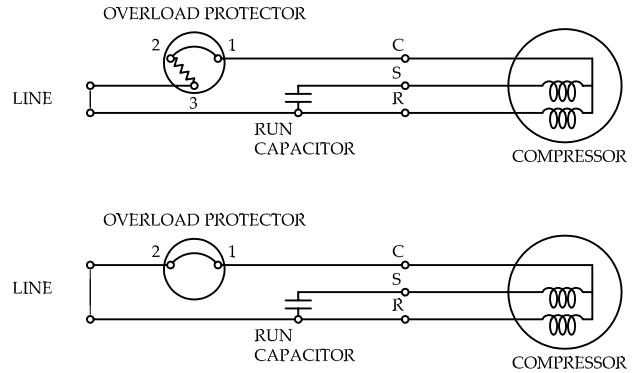
115 V, 60 Hz

R410A

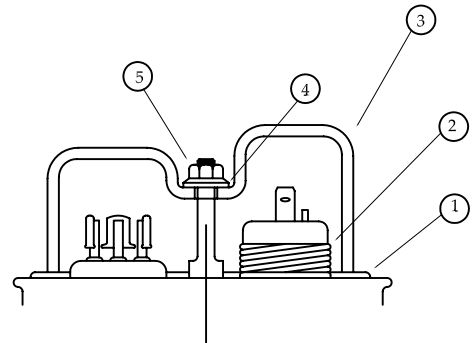
BTU 13,000



WIRING DIAGRAM



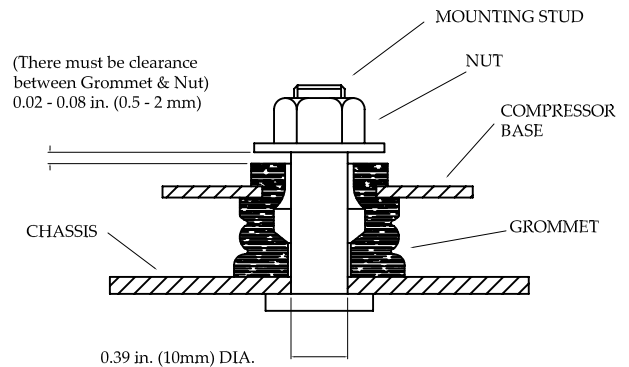
COMPRESSOR ACCESSORIES



ACCESSORIES	PART NUMBER
-------------	-------------

1	Gasket-Terminal Cover	7070620U
2	Spring - OLP hold down	7041200
3	Terminal Cover	7070219U
4	Gasket - Nut	7070621U
5	Nut - Terminal Cover	7080300
	Grommet	7070815

COMPRESSOR MOUNTING



This document sets forth certain operational parameters and conditions for operation of this product. If this product is operated outside of the parameters and conditions stated herein, buyer assumes sole and full responsibility and shall indemnify seller with respect to all product failures, and all the consequences thereof. Operation of the product outside of the parameters and conditions specified herein shall serve to invalidate all seller warranties, if any, with respect to the product. Use this document as reference only. For specifications please contact Panasonic's engineering department.