

Panasonic Industrial Company

Air Conditioning Department

2R10B3R126H-SB

115 V, 60 Hz R-22

2R10B3R126H-SB

Application Cooling only
 Ref. Charge Limit 15.9 oz. 450 g
 Evaporating Temp. Range 14°F to 53.6°F -10°C to 12°C
 Specification Number SC-52171030-A

Rated Performance¹

Capacity 6,545 Btu/hr
 Motor Input 710 Watts
 Current 6.9 Amperes
 E.E.R. 9.22 Btu/hr/ W

Compressor Data

Pump Type Rotary
 Displacement 9.5 cc/rev
 Oil ATMOS M60 or equivalent
 Oil Charge (Precharged) 8.8 fl. oz. 260 cc
 Net Weight 14.8 lb 6.7 kg

Motor Data

Motor Type Permanent Split Capacitor
 Locked Rotor Amperes 34 A at 120 V
 Winding Resistance Main: 1.349Ω, Aux: 6.640Ω
 Max. Continuous Current²

Maximum Operating Conditions

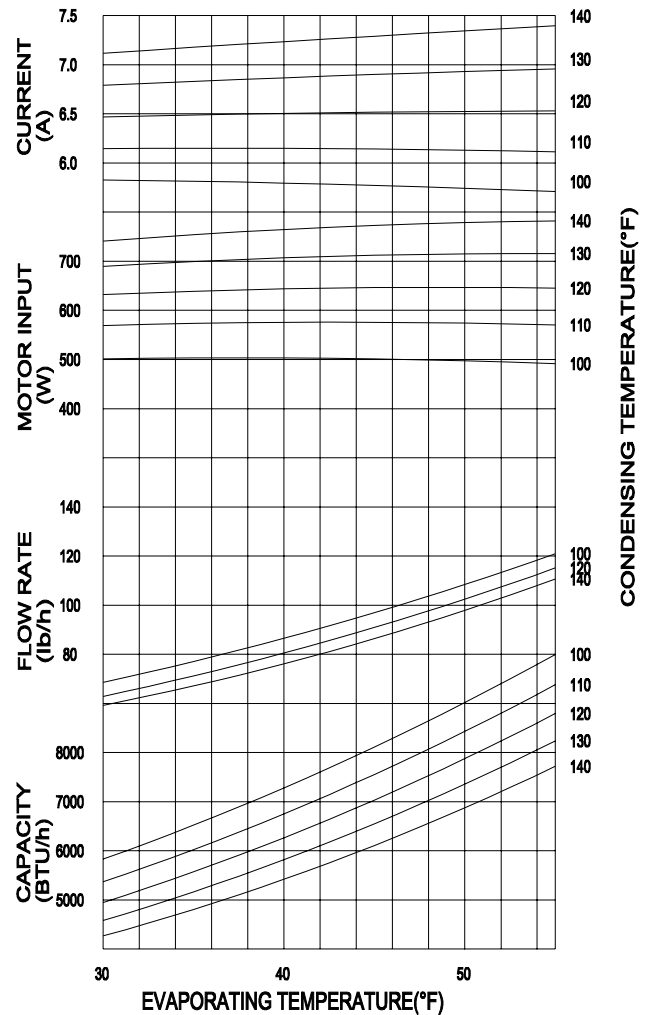
Condensing Temp. 149°F 65°C
 Return Gas Temp. 95°F 35°C
 Discharge Gas Temp. 239°F 115°C
 Motor Wire Temp. 266°F 130°C

Electrical Components

Overload Protector 7100555
 Texas Instrument part # MRA 99034
 Run Capacitor 25 μF/300 VAC

¹Rated @ ASHRAE/T Conditions

Evaporating Temp. 45°F 7.2°C
 Condensing Temp. 130°F 54.4°C
 Return Gas Temp. 95°F 35.0°C
 Liquid Temp. 115°F 46.1°C
 Ambient Temp. 95°F 35.0°C



Performance Data

Based on:

Return gas Temp. 95°F 35.0°C
 Liquid sub-cooling 15°F 8.3°C
 Ambient 95°F 35.0°C

COND. TEMP.

100°F	110°F	120°F	130°F	140°F
37.8°C	43.3°C	48.9°C	54.4°C	60°C

EVAP. TEMP.

35° F 1.7°C	Btu/hr	6520	6025	5570	5165	4805
	Watts	503	573	638	699	754
	Amperes	5.8	6.1	6.5	6.8	7.2

45° F 7.2°C	Btu/hr	8110	7555	7030	6545	6110
	Watts	501	575	646	710	772
	Amperes	5.8	6.1	6.5	6.9	7.3

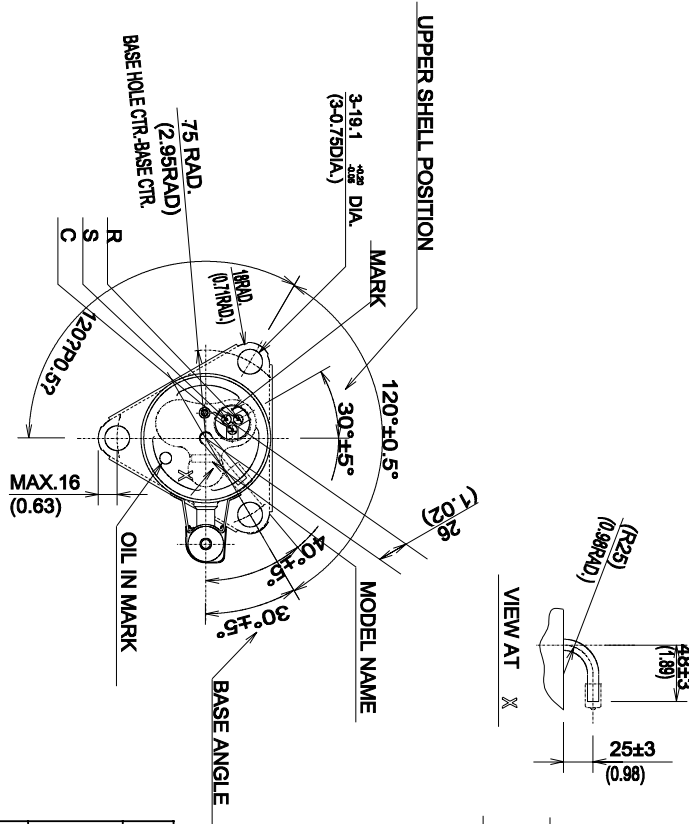
55° F 12.8°C	Btu/hr	9995	9380	8790	8240	7720
	Watts	491	570	645	715	782
	Amperes	5.7	6.1	6.5	7.0	7.4

BTU 7,000

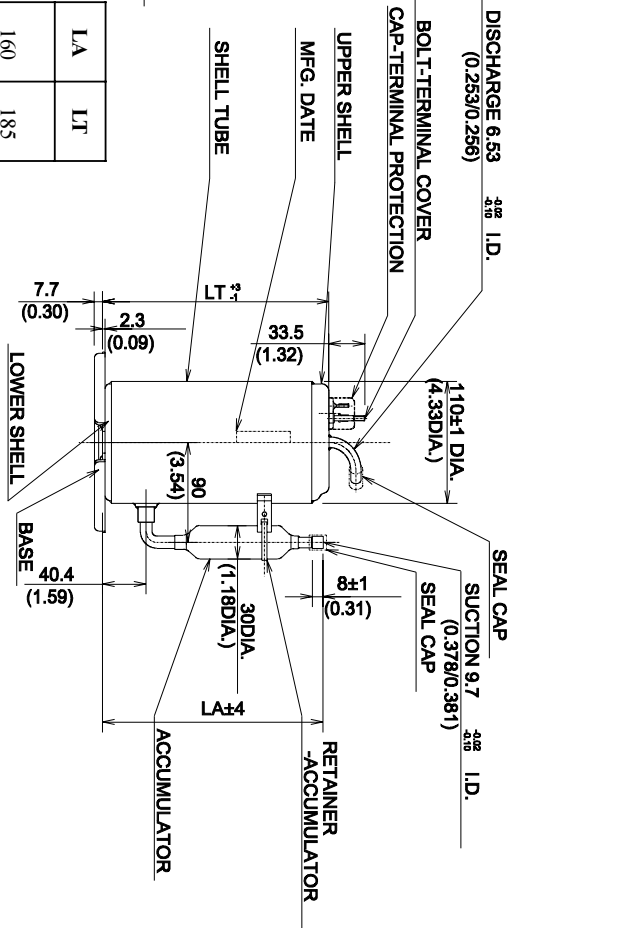
2R10B3R126H-SB

115 V, 60 Hz R-22

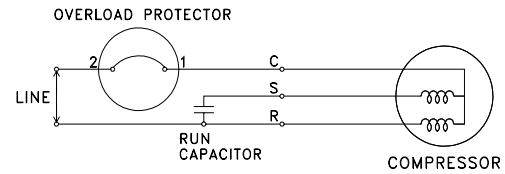
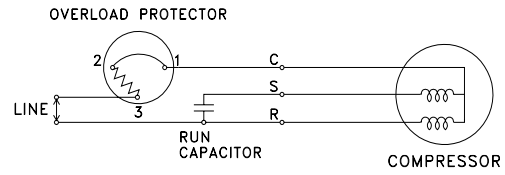
BTU 7,000



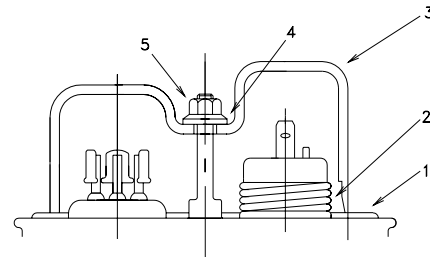
LA	LT
160	185
(6.30)	(7.28)



WIRING DIAGRAM

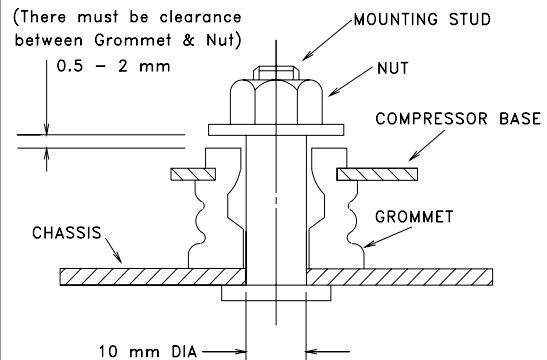


COMPRESSOR ACCESSORIES



Accessories	Part Number
1 Gasket-Terminal Cover	7070620U
2 Spring-OLP hold down	7041200
3 Terminal Cover	7070222U
4 Gasket-Nut	7070621U
5 Nut-Terminal Cover	7080300
Grommet	7070817

COMPRESSOR MOUNTING



Panasonic Industrial Company

Air Conditioning Department

2R10S3R126A-6A

115 V, 60 Hz R-22

2R10S3R126A-6A

Application	Cooling (C) / Heating (H)	
Ref. Charge Limit (C/H)	16.4 oz.	465 g
	(C)	19.4 oz. 550 g
Evap. Temp. Range (C/H)	5°F to 53.6°F	-15°C to 12°C
	(C)	14°F to 53.6°F -10°C to 12°C
Specification Number	SC-52170417-B	

Rated Performance¹

Capacity	6,670 Btu/hr
Motor Input	620 Watts
Current	5.7 Amperes
E.E.R.	10.76 Btu/hr/ W

Compressor Data

Pump Type	Rotary	
Displacement	9.5 cc/rev	
Oil	ATMOS M60 or equivalent	
Oil Charge (Precharged)	8.8 fl. oz.	260 cc
Net Weight	19.4 lb	8.8 kg

Motor Data

Motor Type	Permanent Split Capacitor	
Locked Rotor Amperes	40 A at 120 V	
Winding Resistance	Main: 1.097Ω, Aux: 2.633Ω	
Max. Continuous Current ²		

Maximum Operating Conditions

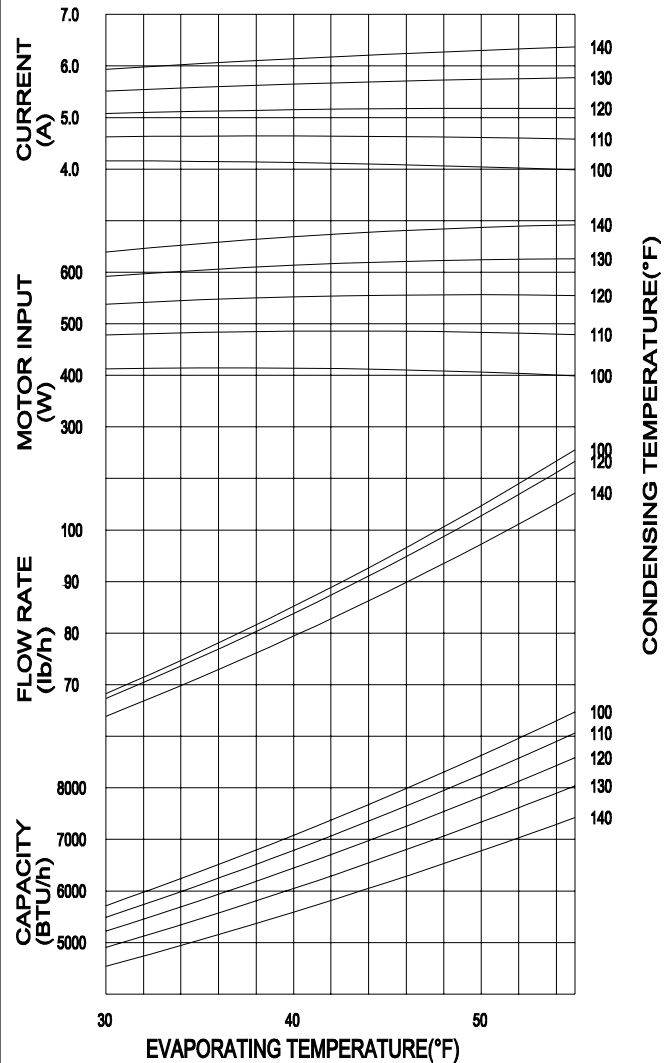
Condensing Temp.	149°F	65°C
Return Gas Temp.	95°F	35°C
Discharge Gas Temp.	239°F	115°C
Motor Wire Temp.	266°F	130°C

Electrical Components

Overload Protector	7100533 or 7100512	
Texas Instrument part #	MRA 98916 or MRA 98866	
Run Capacitor	35 μF/250 VAC	

¹Rated @ ASHRAE/T Conditions

Evaporating Temp.	45°F	7.2°C
Condensing Temp.	130°F	54.4°C
Return Gas Temp.	95°F	35.0°C
Liquid Temp.	115°F	46.1°C
Ambient Temp.	95°F	35.0°C



Performance Data

Based on:

Return gas Temp.	95°F	35.0°C
Liquid sub-cooling	15°F	8.3°C
Ambient	95°F	35.0°C

COND. TEMP.

100°F	110°F	120°F	130°F	140°F
37.8°C	43.3°C	48.9°C	54.4°C	60°C

EVAP. TEMP.

35° F 1.7°C	Btu/hr	6450	6110	5810	5450	5040
	Watts	415	485	545	605	655
	Amperes	4.1	4.6	5.1	5.6	6.0

45° F 7.2°C	Btu/hr	7960	7500	7120	6670	6160
	Watts	410	485	555	620	680
	Amperes	4.1	4.6	5.2	5.7	6.2

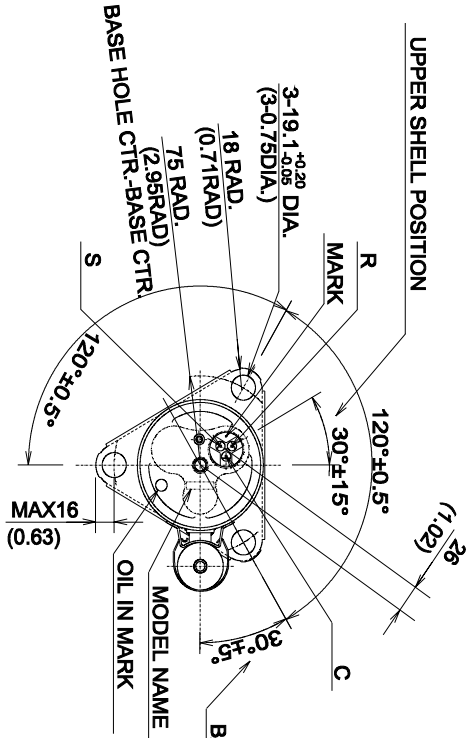
55° F 12.8°C	Btu/hr	9690	9080	8590	8050	7430
	Watts	400	480	555	625	690
	Amperes	4.0	4.6	5.2	5.8	6.4

BTU 6,000

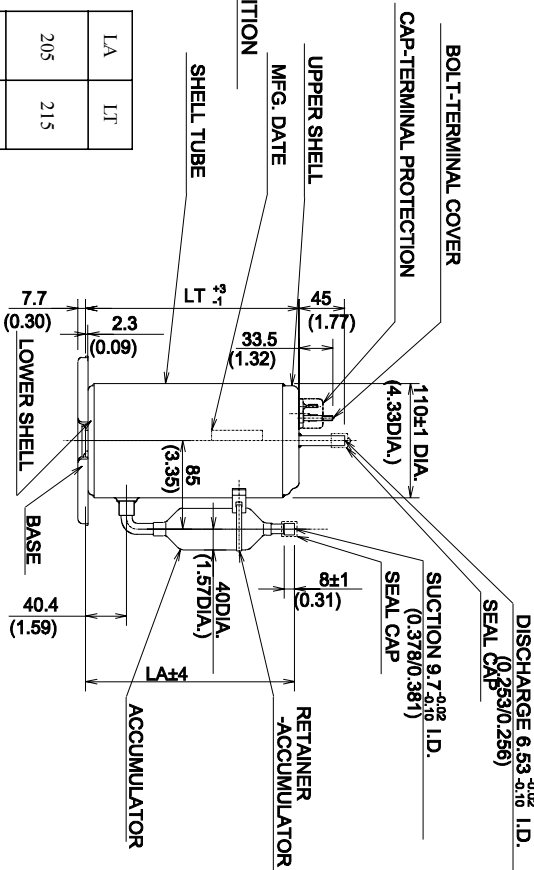
2R10B3R126A-6A

115 V, 60 Hz R-22

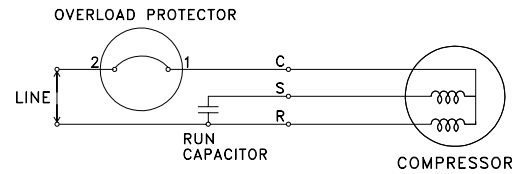
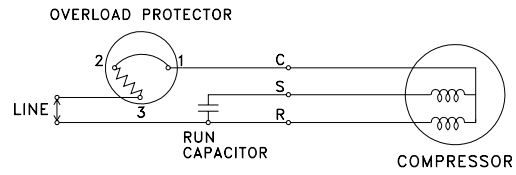
BTU 6,000



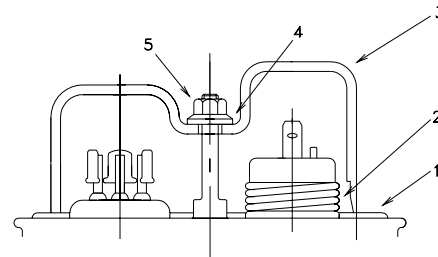
LA	LT
205 (8.07)	215 (8.46)



WIRING DIAGRAM

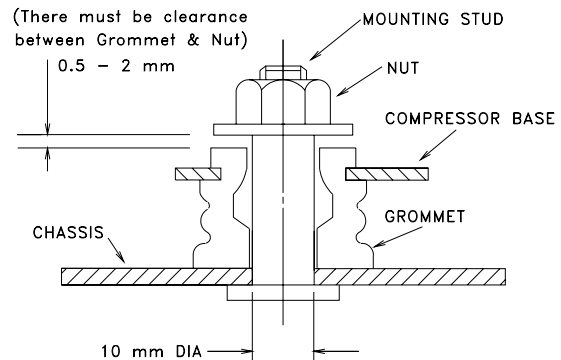


COMPRESSOR ACCESSORIES



Accessories	Part Number
1 Gasket-Terminal Cover	7070620U
2 Spring-OLP hold down	7041200
3 Terminal Cover	7070222U
4 Gasket-Nut	7070621U
5 Nut-Terminal Cover	7080300
Grommet	7070817

COMPRESSOR MOUNTING



Panasonic Industrial Company

Air Conditioning Department

2R10S3R236A-6A

208/230 V, 60 Hz R-22

2R10S3R236A-6A

Application	Cooling (C) / Heating (H)	
Ref. Charge Limit (C/H)	16.4 oz.	465 g
	(C) 19.4 oz.	550 g
Evap. Temp. Range (C/H)	5°F to 53.6°F	-15°C to 12°C
	(C) 14°F to 53.6°F	-10°C to 12°C
Specification Number	SC-52170820-A	

Rated Performance @230V¹

Capacity	6,625 Btu/hr
Motor Input	616 Watts
Current	2.7 Amperes
E.E.R.	10.75 Btu/hr/ W

Compressor Data

Pump Type	Rotary	
Displacement	9.5 cc/rev	
Oil	ATMOS M60 or equivalent	
Oil Charge (Precharged)	8.8 fl. oz.	260 cc
Net Weight	19.2 lb	8.7 kg

Motor Data

Motor Type	Permanent Split Capacitor	
Locked Rotor Amperes	19 A at 240 V	
Winding Resistance	Main: 4.093Ω, Aux: 5.584Ω	
Max. Continuous Current ²		

Maximum Operating Conditions

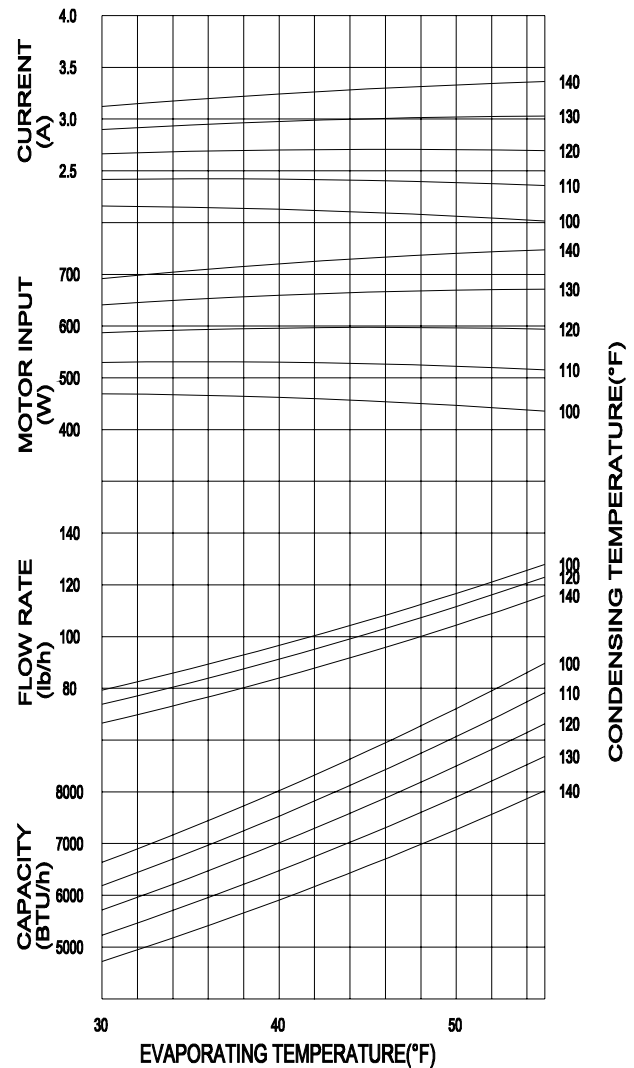
Condensing Temp.	149°F	65°C
Return Gas Temp.	95°F	35°C
Discharge Gas Temp.	239°F	115°C
Motor Wire Temp.	266°F	130°C

Electrical Components

Overload Protector	7100505	
Texas Instrument part #	MRA 98856	
Run Capacitor	15 μF/370 VAC	

¹Rated @ASHRAE/T Conditions

Evaporating Temp.	45°F	7.2°C
Condensing Temp.	130°F	54.4°C
Return Gas Temp.	95°F	35.0°C
Liquid Temp.	115°F	46.1°C
Ambient Temp.	95°F	35.0°C



Performance Data @230V

Based on:

Return gas Temp.	95°F	35.0°C
Liquid sub-cooling	15°F	8.3°C
Ambient	95°F	35.0°C

COND. TEMP.

100°F	110°F	120°F	130°F	140°F
37.8°C	43.3°C	48.9°C	54.4°C	60°C

EVAP. TEMP.

35° F 1.7°C	Btu/hr	6330	6075	5770	5420	5015
	Watts	412	480	543	600	651
Amperes	2.0	2.2	2.4	2.6	2.9	

45° F 7.2°C	Btu/hr	7775	7445	7065	6625	6125
	Watts	409	483	552	616	675
Amperes	1.9	2.2	2.4	2.7	2.9	

55° F 12.8°C	Btu/hr	9410	9000	8525	7985	7375
	Watts	396	476	551	622	687
Amperes	1.9	2.2	2.5	2.7	3.0	

BTU 7,000

Panasonic Industrial Company

Air Conditioning Department

2R10S3R236A-6A

208/230 V, 60 Hz R-22

2R10S3R236A-6A

Application	Cooling (C) / Heating (H)	
Ref. Charge Limit (C/H)	16.4 oz.	465 g
	(C) 19.4 oz.	550 g
Evap. Temp. Range (C/H)	5°F to 53.6°F	-15°C to 12°C
	(C) 14°F to 53.6°F	-10°C to 12°C
Specification Number	SC-52170820-A	

Rated Performance @230V¹

Capacity	6,625 Btu/hr
Motor Input	616 Watts
Current	2.7 Amperes
E.E.R.	10.75 Btu/hr/ W

Compressor Data

Pump Type	Rotary	
Displacement	9.5 cc/rev	
Oil	ATMOS M60 or equivalent	
Oil Charge (Precharged)	8.8 fl. oz.	260 cc
Net Weight	19.2 lb	8.7 kg

Motor Data

Motor Type	Permanent Split Capacitor	
Locked Rotor Amperes	19 A at 240 V	
Winding Resistance	Main: 4.093Ω, Aux: 5.584Ω	
Max. Continuous Current ²		

Maximum Operating Conditions

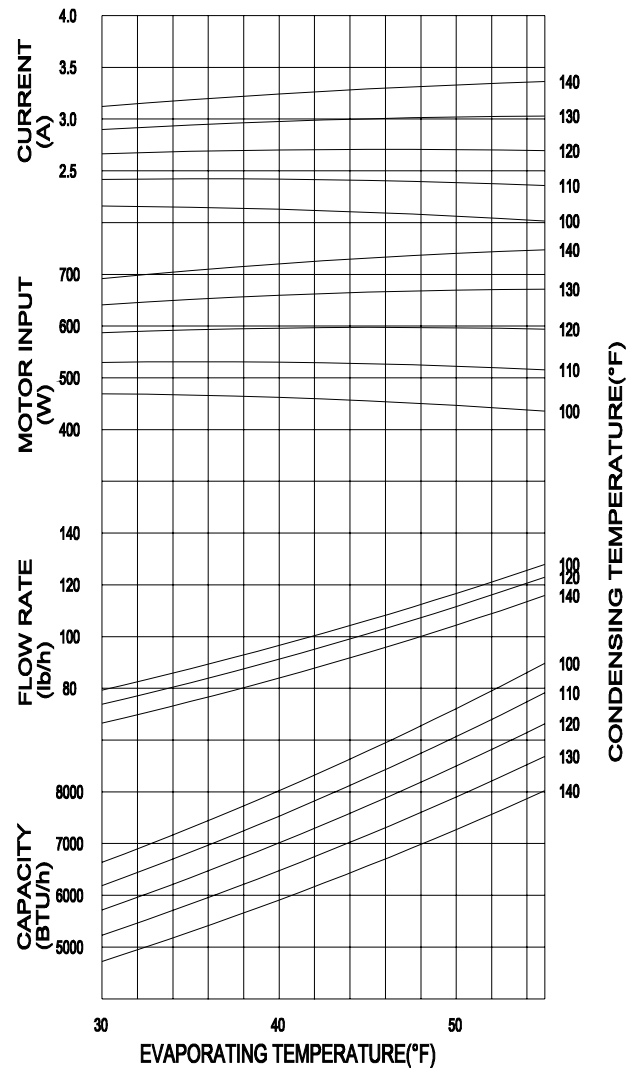
Condensing Temp.	149°F	65°C
Return Gas Temp.	95°F	35°C
Discharge Gas Temp.	239°F	115°C
Motor Wire Temp.	266°F	130°C

Electrical Components

Overload Protector	7100505	
Texas Instrument part #	MRA 98856	
Run Capacitor	15 μF/370 VAC	

¹Rated @ASHRAE/T Conditions

Evaporating Temp.	45°F	7.2°C
Condensing Temp.	130°F	54.4°C
Return Gas Temp.	95°F	35.0°C
Liquid Temp.	115°F	46.1°C
Ambient Temp.	95°F	35.0°C



Performance Data @230V

Based on:

Return gas Temp.	95°F	35.0°C
Liquid sub-cooling	15°F	8.3°C
Ambient	95°F	35.0°C

COND. TEMP.

100°F	110°F	120°F	130°F	140°F
37.8°C	43.3°C	48.9°C	54.4°C	60°C

EVAP. TEMP.

35° F 1.7°C	Btu/hr	6330	6075	5770	5420	5015
	Watts	412	480	543	600	651
Amperes	2.0	2.2	2.4	2.6	2.9	

45° F 7.2°C	Btu/hr	7775	7445	7065	6625	6125
	Watts	409	483	552	616	675
Amperes	1.9	2.2	2.4	2.7	2.9	

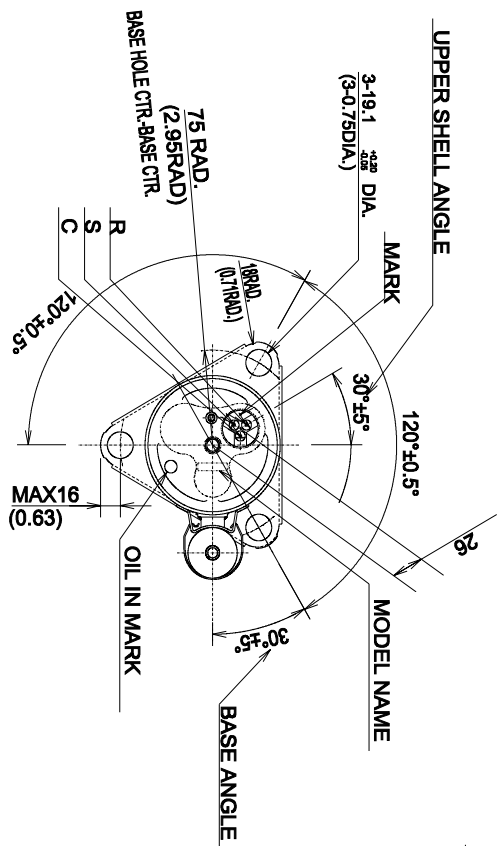
55° F 12.8°C	Btu/hr	9410	9000	8525	7985	7375
	Watts	396	476	551	622	687
Amperes	1.9	2.2	2.5	2.7	3.0	

BTU 7,000

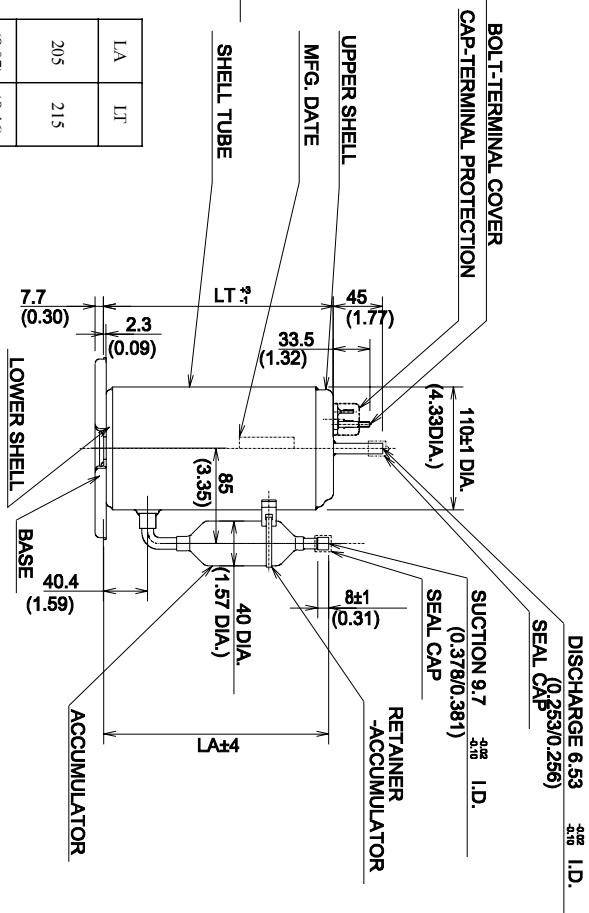
2R10S3R236A-6A

208/230 V, 60 Hz R-22

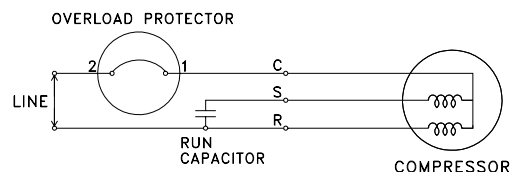
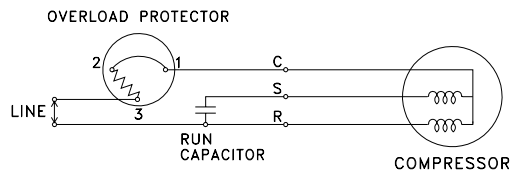
BTU 7,000



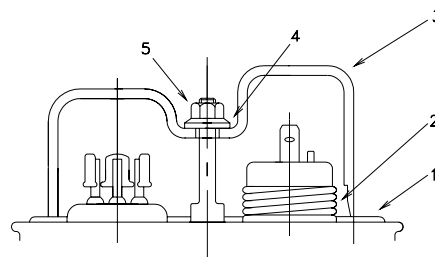
LA	LT
205	215
(8.07)	(8.46)



WIRING DIAGRAM

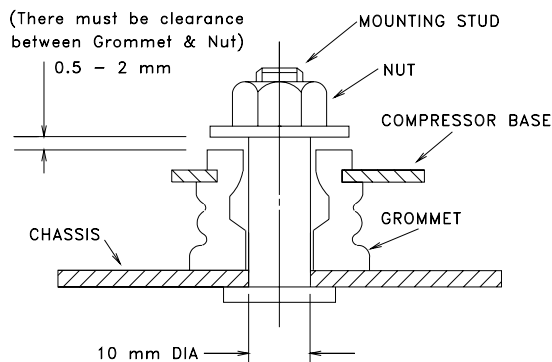


COMPRESSOR ACCESSORIES



Accessories	Part Number
1 Gasket-Terminal Cover	7070620U
2 Spring-OLP hold down	7041200
3 Terminal Cover	7070222U
4 Gasket-Nut	7070621U
5 Nut-Terminal Cover	7080300
Grommet	7070817

COMPRESSOR MOUNTING



This document sets forth certain operational parameters and conditions for operation of this product. If this product is operated outside of the parameters and conditions stated herein, buyer assumes sole and full responsibility and shall indemnify seller with respect to all product failures, and all consequences thereof. Operation of the product outside of the parameters and conditions specified herein shall serve to invalidate all seller warranties, if any, with respect to the product. Use this document as reference only. For specifications, please contact Panasonic's engineering department.

2R10S3R276A-6A

Application	Cooling (C) / Heating (C)	
Ref. Charge Limit (C/H)	16.4 oz.	465 g
	(C)	19.4 oz. 550 g
Evap. Temp. Range (C/H)	5°F to 53.6°F	-15°C to 12°C
	(C)	14°F to 53.6°F -10°C to 12°C
Specification Number	SC-52170821-B	

Rated Performance @265V¹

Capacity	6,625 Btu/hr
Motor Input	616 Watts
Current	2.4 Amperes
E.E.R.	10.75 Btu/hr/ W

Compressor Data

Pump Type	Rotary	
Displacement	9.5 cc/rev	
Oil	ATMOS M60 or equivalent	
Oil Charge (Precharged)	8.8 fl. oz.	260 cc
Net Weight	19.2 lb	8.7 kg

Motor Data

Motor Type	Permanent Split Capacitor	
Locked Rotor Amperes	16 A at 277 V	
Winding Resistance	Main: 5.525Ω, Aux: 5.250Ω	
Max. Continuous Current ²		

Maximum Operating Conditions

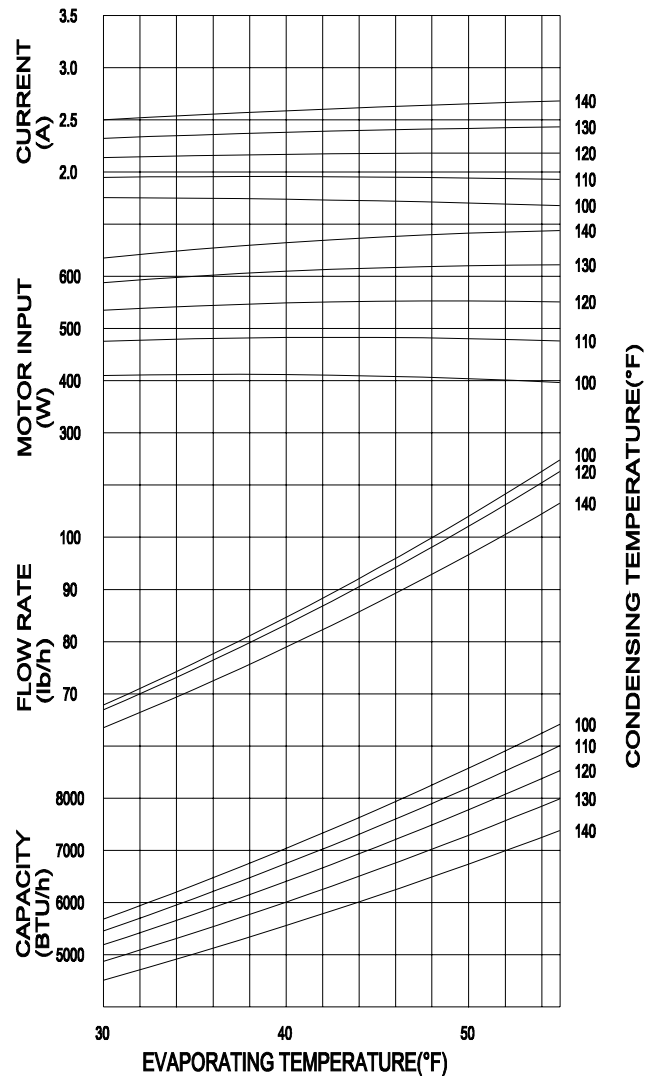
Condensing Temp.	149°F	65°C
Return Gas Temp.	95°F	35°C
Discharge Gas Temp.	239°F	115°C
Motor Wire Temp.	266°F	130°C

Electrical Components

Overload Protector	7100543	
Texas Instrument part #	MRA 99017	
Run Capacitor	15 μF/400 VAC	

¹Rated @ASHRAE/T Conditions

Evaporating Temp.	45°F	7.2°C
Condensing Temp.	130°F	54.4°C
Return Gas Temp.	95°F	35.0°C
Liquid Temp.	115°F	46.1°C
Ambient Temp.	95°F	35.0°C



Performance Data @265V

Based on:

Return gas Temp.	95°F	35.0°C
Liquid sub-cooling	15°F	8.3°C
Ambient	95°F	35.0°C

COND. TEMP.

100°F	110°F	120°F	130°F	140°F
37.8°C	43.3°C	48.9°C	54.4°C	60°C

EVAP. TEMP.

35° F 1.7°C	Btu/hr	6330	6075	5770	5420	5015
	Watts	412	480	543	600	651
	Amperes	1.7	2.0	2.2	2.4	2.5

45° F 7.2°C	Btu/hr	7775	7445	7065	6625	6125
	Watts	409	483	552	616	675
	Amperes	1.7	2.0	2.2	2.4	2.6

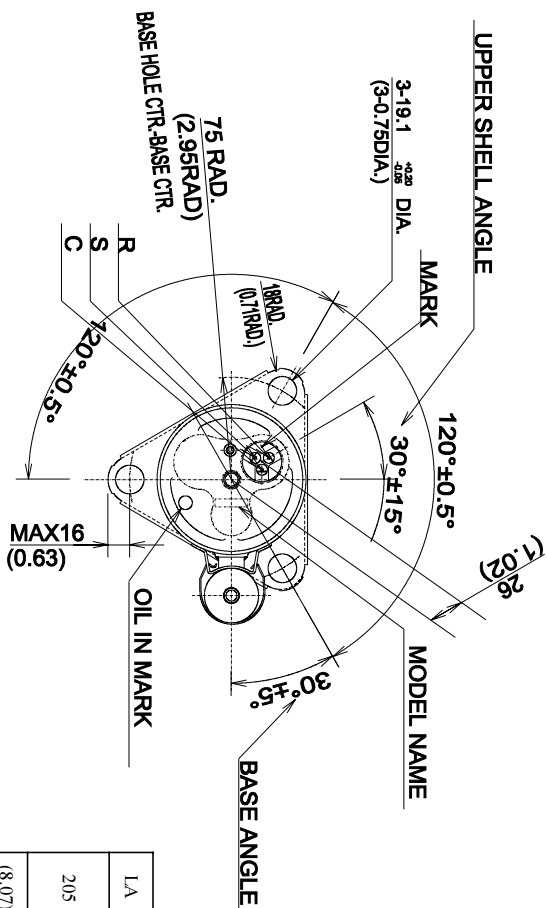
55° F 12.8°C	Btu/hr	9410	9000	8525	7985	7375
	Watts	396	476	551	622	687
	Amperes	1.7	1.9	2.2	2.4	2.7

BTU 7,000

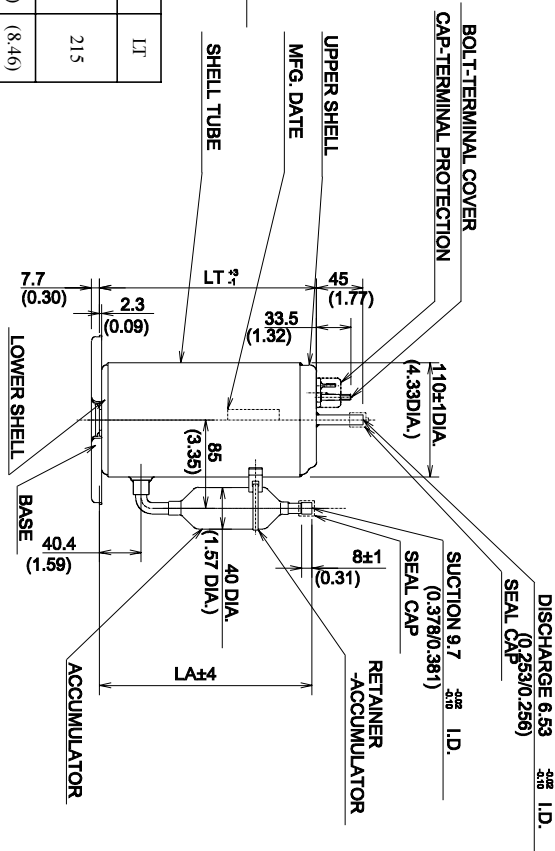
2R10S3R276A-6A

265/277 V, 60 H R-22

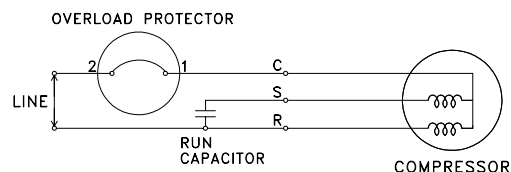
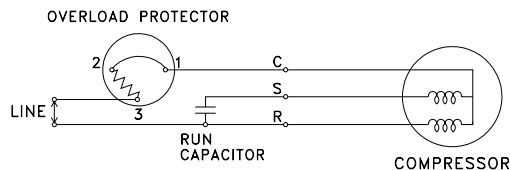
BTU 7,000



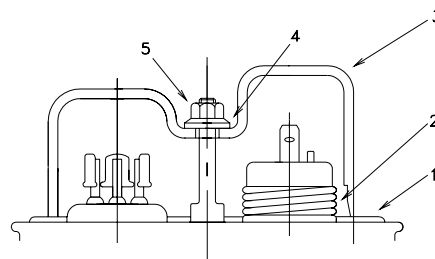
LA	LT
205	215
(8.07)	(8.46)



WIRING DIAGRAM

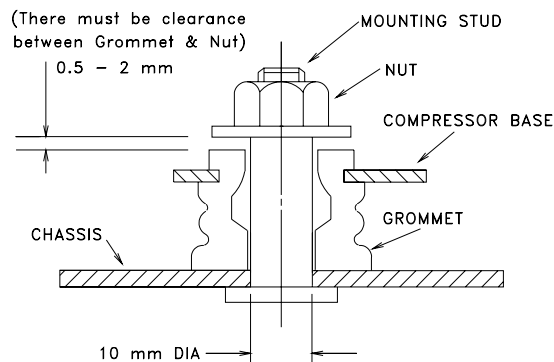


COMPRESSOR ACCESSORIES



Accessories	Part Number
1 Gasket-Terminal Cover	7070620U
2 Spring-OLP hold down	7041200
3 Terminal Cover	7070222U
4 Gasket-Nut	7070621U
5 Nut-Terminal Cover	7080300
Grommet	7070817

COMPRESSOR MOUNTING



Panasonic Industrial Company

Air Conditioning Department

2R10S3R276A-6A

220/240 V, 50 Hz R-22

2R10S3R276A-6A

Application	Cooling (C) / Heating (H)	
Ref. Charge Limit (C/H)	16.4 oz.	465 g
	(C)	19.4 oz.
		550 g
Evap. Temp. Range (C/H)	5°F to 53.6°F	-15°C to 12°C
	(C)	14°F to 53.6°F
		-10°C to 12°C
Specification Number	SC-52170821-B(2)	

Rated Performance @220V/240V¹

Capacity	5,415/5,455 Btu/hr
Motor Input	510/525 Watts
Current	2.35/2.25 Amperes
E.E.R.	10.62/10.39 Btu/hr/ W

Compressor Data

Pump Type	Rotary	
Displacement	9.5 cc/rev	
Oil	ATMOS M60 or equivalent	
Oil Charge (Precharged)	8.8 fl. oz.	260 cc
Net Weight	19.2 lb	8.7 kg

Motor Data

Motor Type	Permanent Split Capacitor	
Locked Rotor Amperes	10/11 A at 220/240 V	
Winding Resistance	Main: 5.525Ω, Aux: 5.250Ω	
Max. Continuous Current ²		

Maximum Operating Conditions

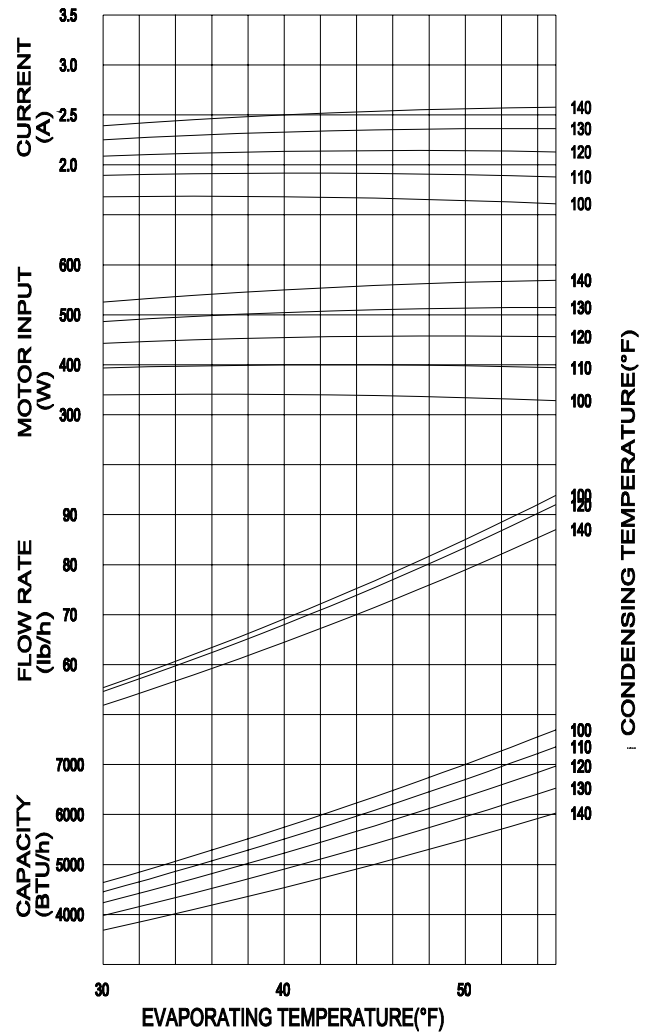
Condensing Temp.	149°F	65°C
Return Gas Temp.	95°F	35°C
Discharge Gas Temp.	239°F	115°C
Motor Wire Temp.	266°F	130°C

Electrical Components

Overload Protector	7100543
Texas Instrument part #	MRA 99017
Run Capacitor	20 μF/370 VAC

¹Rated @ASHRAE/T Conditions

Evaporating Temp.	45°F	7.2°C
Condensing Temp.	130°F	54.4°C
Return Gas Temp.	95°F	35.0°C
Liquid Temp.	115°F	46.1°C
Ambient Temp.	95°F	35.0°C



Performance Data @ 220V

Based on:

Return gas Temp.	95°F	35.0°C
Liquid sub-cooling	15°F	8.3°C
Ambient	95°F	35.0°C

COND. TEMP.

100°F	110°F	120°F	130°F	140°F
-------	-------	-------	-------	-------

EVAP. TEMP.

35° F	Btu/hr	5175	4965	4715	4430	4100
	Watts	340	400	450	495	540
	Amperes	1.7	1.9	2.1	2.3	2.5

45° F	Btu/hr	6355	6085	5775	5415	5005
	Watts	340	400	455	510	560
	Amperes	1.7	1.9	2.1	2.4	2.5

55° F	Btu/hr	7695	7355	6970	6525	6025
	Watts	330	395	455	515	570
	Amperes	1.6	1.9	2.1	2.4	2.6

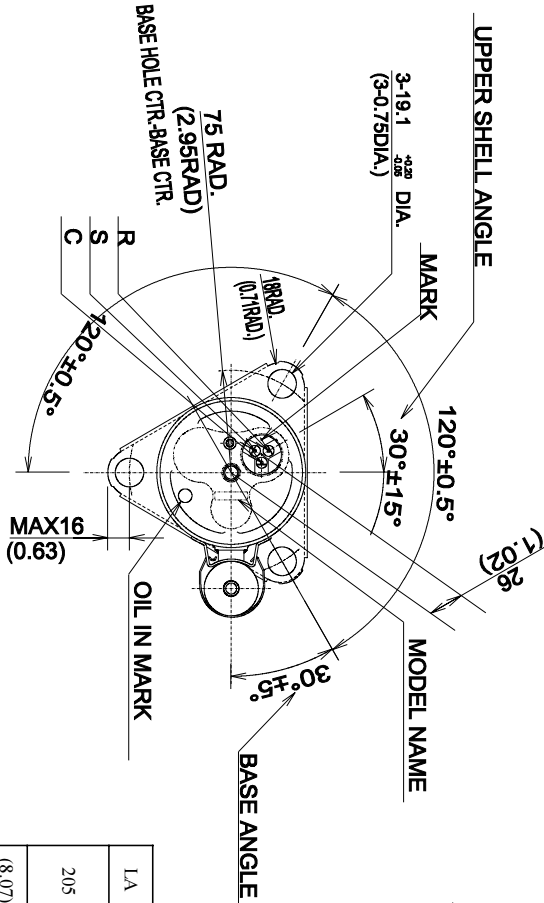
²Contact Panasonic for value.

BTU 5,000

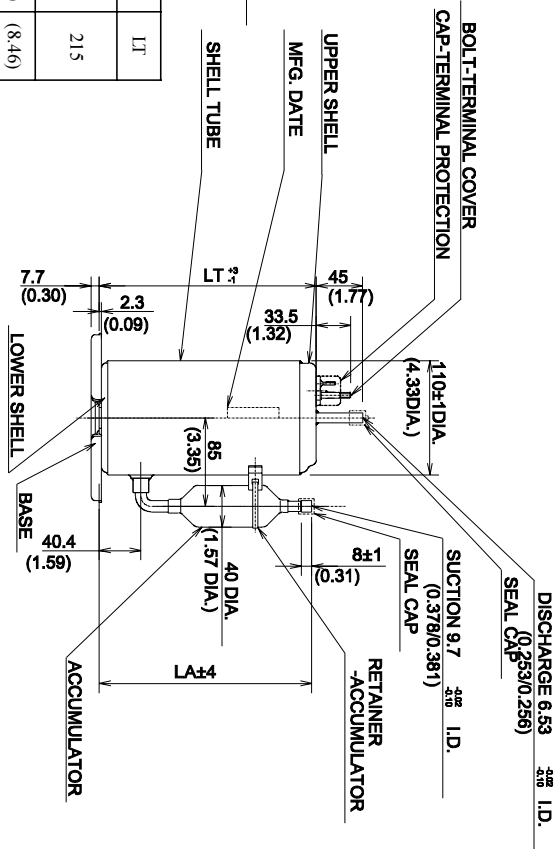
2R10S3R276A-6A

220/240 V, 50 Hz R-22

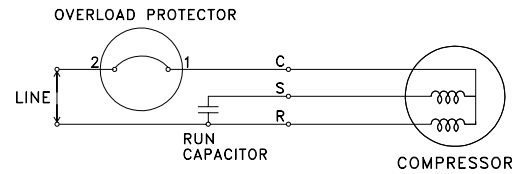
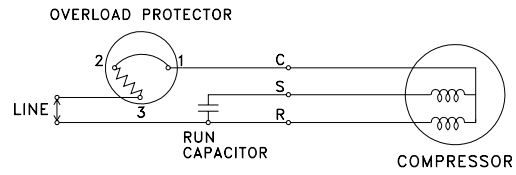
BTU 5,000



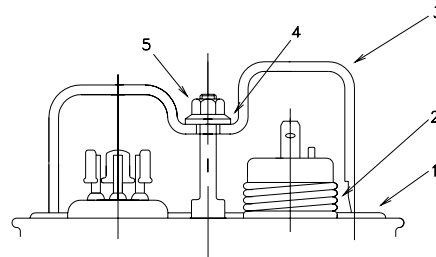
LA	LT
205 (8.07)	215 (8.46)



WIRING DIAGRAM

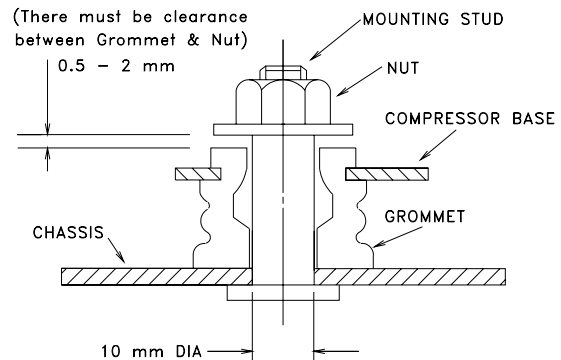


COMPRESSOR ACCESSORIES



Accessories	Part Number
1 Gasket-Terminal Cover	7070620U
2 Spring-OLP hold down	7041200
3 Terminal Cover	7070222U
4 Gasket-Nut	7070621U
5 Nut-Terminal Cover	7080300
Grommet	7070817

COMPRESSOR MOUNTING



This document sets forth certain operational parameters and conditions for operation of this product. If this product is operated outside of the parameters and conditions stated herein, buyer assumes sole and full responsibility and shall indemnify seller with respect to all product failures, and all consequences thereof. Operation of the product outside of the parameters and conditions specified herein shall serve to invalidate all seller warranties, if any, with respect to the product. Use this document as reference only. For specifications, please contact Panasonic's engineering department.

Panasonic Industrial Company

Air Conditioning Department

2R10S3R276A-6A

220/240 V, 50 Hz R-22

2R10S3R276A-6A

Application	Cooling (C) / Heating (H)	
Ref. Charge Limit (C/H)	16.4 oz.	465 g
	(C)	19.4 oz.
		550 g
Evap. Temp. Range (C/H)	5°F to 53.6°F	-15°C to 12°C
	(C)	14°F to 53.6°F
		-10°C to 12°C
Specification Number	SC-52170821-B(2)	

Rated Performance @220V/240V¹

Capacity	5,415/5,455 Btu/hr
Motor Input	510/525 Watts
Current	2.35/2.25 Amperes
E.E.R.	10.62/10.39 Btu/hr/ W

Compressor Data

Pump Type	Rotary	
Displacement	9.5 cc/rev	
Oil	ATMOS M60 or equivalent	
Oil Charge (Precharged)	8.8 fl. oz.	260 cc
Net Weight	19.2 lb	8.7 kg

Motor Data

Motor Type	Permanent Split Capacitor	
Locked Rotor Amperes	10/11 A at 220/240 V	
Winding Resistance	Main: 5.525Ω, Aux: 5.250Ω	
Max. Continuous Current ²		

Maximum Operating Conditions

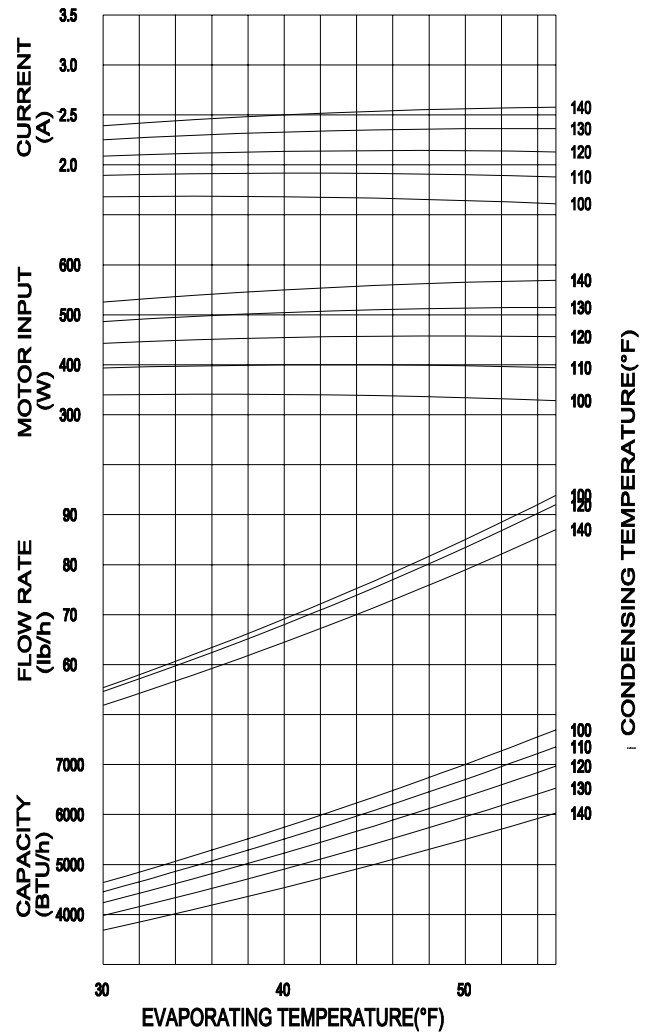
Condensing Temp.	149°F	65°C
Return Gas Temp.	95°F	35°C
Discharge Gas Temp.	239°F	115°C
Motor Wire Temp.	266°F	130°C

Electrical Components

Overload Protector	7100543
Texas Instrument part #	MRA 99017
Run Capacitor	20 μF/370 VAC

¹Rated @ASHRAE/T Conditions

Evaporating Temp.	45°F	7.2°C
Condensing Temp.	130°F	54.4°C
Return Gas Temp.	95°F	35.0°C
Liquid Temp.	115°F	46.1°C
Ambient Temp.	95°F	35.0°C



Performance Data @ 220V

Based on:

Return gas Temp.	95°F	35.0°C
Liquid sub-cooling	15°F	8.3°C
Ambient	95°F	35.0°C

COND. TEMP.

100°F	110°F	120°F	130°F	140°F
-------	-------	-------	-------	-------

EVAP. TEMP.

35° F	Btu/hr	5175	4965	4715	4430	4100
	Watts	340	400	450	495	540
	Amperes	1.7	1.9	2.1	2.3	2.5

45° F	Btu/hr	6355	6085	5775	5415	5005
	Watts	340	400	455	510	560
	Amperes	1.7	1.9	2.1	2.4	2.5

55° F	Btu/hr	7695	7355	6970	6525	6025
	Watts	330	395	455	515	570
	Amperes	1.6	1.9	2.1	2.4	2.6

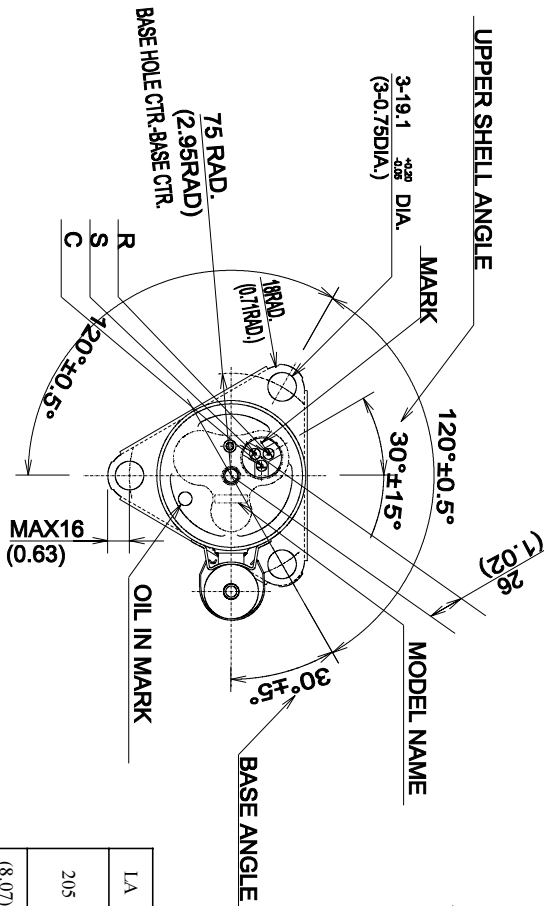
BTU 5,000

²Contact Panasonic for value.

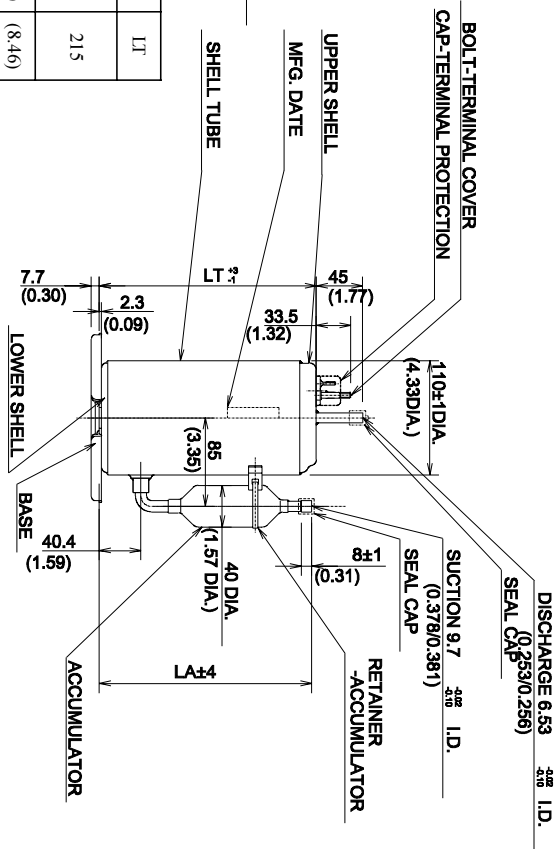
2R10S3R276A-6A

220/240 V, 50 Hz R-22

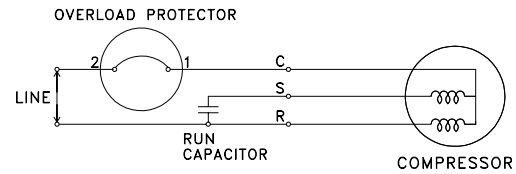
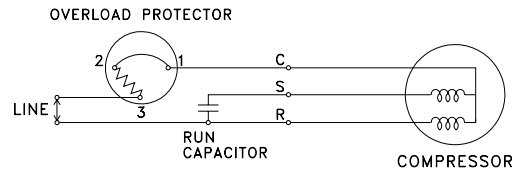
BTU 5,000



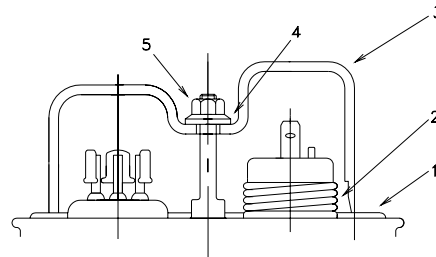
LA	LT
205 (8.07)	215 (8.46)



WIRING DIAGRAM

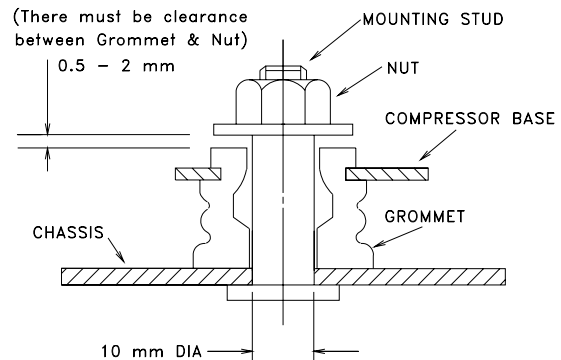


COMPRESSOR ACCESSORIES



Accessories	Part Number
1 Gasket-Terminal Cover	7070620U
2 Spring-OLP hold down	7041200
3 Terminal Cover	7070222U
4 Gasket-Nut	7070621U
5 Nut-Terminal Cover	7080300
Grommet	7070817

COMPRESSOR MOUNTING



This document sets forth certain operational parameters and conditions for operation of this product. If this product is operated outside of the parameters and conditions stated herein, buyer assumes sole and full responsibility and shall indemnify seller with respect to all product failures, and all consequences thereof. Operation of the product outside of the parameters and conditions specified herein shall serve to invalidate all seller warranties, if any, with respect to the product. Use this document as reference only. For specifications, please contact Panasonic's engineering department.

Panasonic Industrial Company

Air Conditioning Department

2R10S3R276A-6A

220/240 V, 50 Hz R-22

2R10S3R276A-6A

Application	Cooling (C) / Heating (H)	
Ref. Charge Limit (C/H)	16.4 oz.	465 g
	(C)	19.4 oz.
		550 g
Evap. Temp. Range (C/H)	5°F to 53.6°F	-15°C to 12°C
	(C)	14°F to 53.6°F
		-10°C to 12°C
Specification Number	SC-52170821-B(2)	

Rated Performance @220V/240V¹

Capacity	5,415/5,455 Btu/hr
Motor Input	510/525 Watts
Current	2.35/2.25 Amperes
E.E.R.	10.62/10.39 Btu/hr/ W

Compressor Data

Pump Type	Rotary	
Displacement	9.5 cc/rev	
Oil	ATMOS M60 or equivalent	
Oil Charge (Precharged)	8.8 fl. oz.	260 cc
Net Weight	19.2 lb	8.7 kg

Motor Data

Motor Type	Permanent Split Capacitor	
Locked Rotor Amperes	10/11 A at 220/240 V	
Winding Resistance	Main: 5.525Ω, Aux: 5.250Ω	
Max. Continuous Current ²		

Maximum Operating Conditions

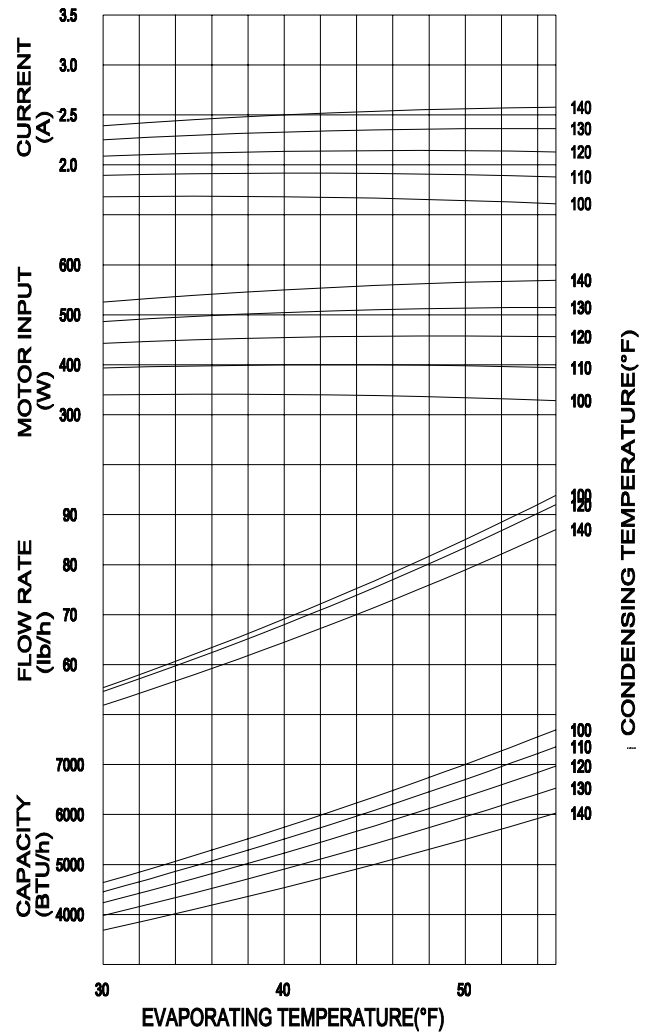
Condensing Temp.	149°F	65°C
Return Gas Temp.	95°F	35°C
Discharge Gas Temp.	239°F	115°C
Motor Wire Temp.	266°F	130°C

Electrical Components

Overload Protector	7100543
Texas Instrument part #	MRA 99017
Run Capacitor	20 μF/370 VAC

¹Rated @ASHRAE/T Conditions

Evaporating Temp.	45°F	7.2°C
Condensing Temp.	130°F	54.4°C
Return Gas Temp.	95°F	35.0°C
Liquid Temp.	115°F	46.1°C
Ambient Temp.	95°F	35.0°C



Performance Data @ 220V

Based on:

Return gas Temp.	95°F	35.0°C
Liquid sub-cooling	15°F	8.3°C
Ambient	95°F	35.0°C

COND. TEMP.

100°F	110°F	120°F	130°F	140°F
-------	-------	-------	-------	-------

EVAP. TEMP.

35° F	Btu/hr	5175	4965	4715	4430	4100
	Watts	340	400	450	495	540
	Amperes	1.7	1.9	2.1	2.3	2.5

45° F	Btu/hr	6355	6085	5775	5415	5005
	Watts	340	400	455	510	560
	Amperes	1.7	1.9	2.1	2.4	2.5

55° F	Btu/hr	7695	7355	6970	6525	6025
	Watts	330	395	455	515	570
	Amperes	1.6	1.9	2.1	2.4	2.6

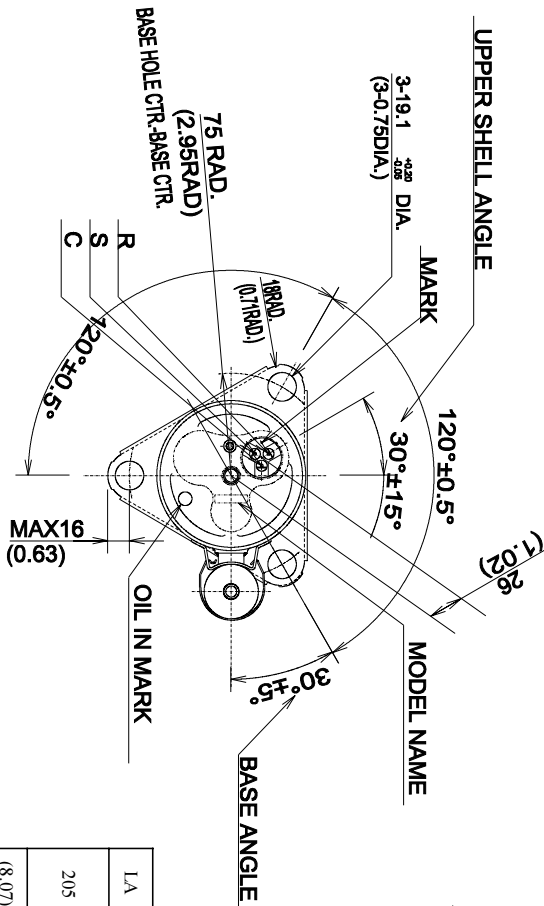
²Contact Panasonic for value.

BTU 5,000

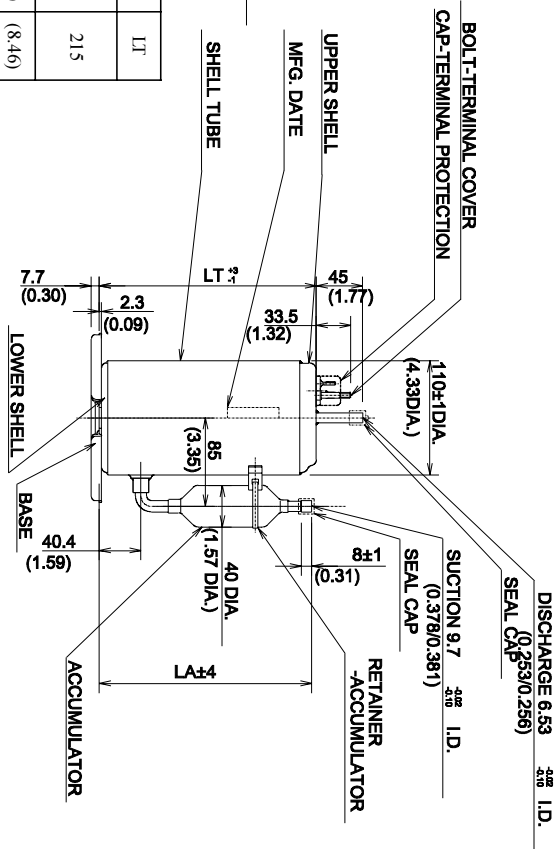
2R10S3R276A-6A

220/240 V, 50 Hz R-22

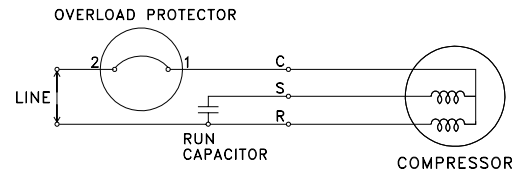
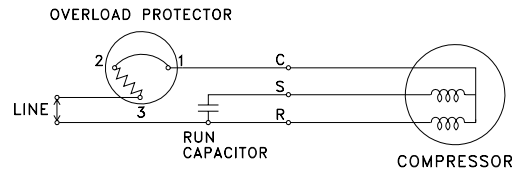
BTU 5,000



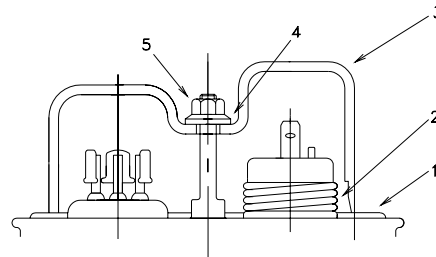
LA	LT
205 (8.07)	215 (8.46)



WIRING DIAGRAM

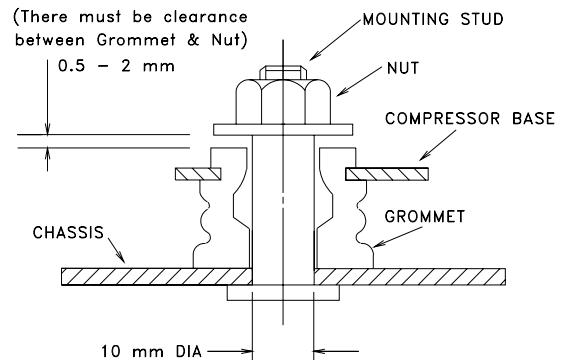


COMPRESSOR ACCESSORIES



Accessories	Part Number
1 Gasket-Terminal Cover	7070620U
2 Spring-OLP hold down	7041200
3 Terminal Cover	7070222U
4 Gasket-Nut	7070621U
5 Nut-Terminal Cover	7080300
Grommet	7070817

COMPRESSOR MOUNTING



This document sets forth certain operational parameters and conditions for operation of this product. If this product is operated outside of the parameters and conditions stated herein, buyer assumes sole and full responsibility and shall indemnify seller with respect to all product failures, and all consequences thereof. Operation of the product outside of the parameters and conditions specified herein shall serve to invalidate all seller warranties, if any, with respect to the product. Use this document as reference only. For specifications, please contact Panasonic's engineering department.

Panasonic Industrial Company

Air Conditioning Department

2R10U126B-6A

115 V, 60 Hz R-22

2R10U126B-6A

Application	Cooling (C) / Heating (H)	
Ref. Charge Limit (C/H)	16.4 oz.	465 g
	(C)	19.4 oz. 550 g
Evap. Temp. Range (C/H)	5°F to 53.6°F	-15°C to 12°C
	(C)	14°F to 53.6°F -10°C to 12°C
Specification Number	SC-52171704-A	

Rated Performance¹

Capacity	6,745 Btu/hr
Motor Input	615 Watts
Current	5.6 Amperes
E.E.R.	10.97 Btu/hr/ W

Compressor Data

Pump Type	Rotary	
Displacement	9.5 cc/rev	
Oil	ATMOS M60 or equivalent	
Oil Charge (Precharged)	8.8 fl. oz.	260 cc
Net Weight	19.8 lb	9.0 kg

Motor Data

Motor Type	Permanent Split Capacitor	
Locked Rotor Amperes	40 A at 120 V	
Winding Resistance	Main: 1.130Ω, Aux: 2.712Ω	
Max. Continuous Current ²		

Maximum Operating Conditions

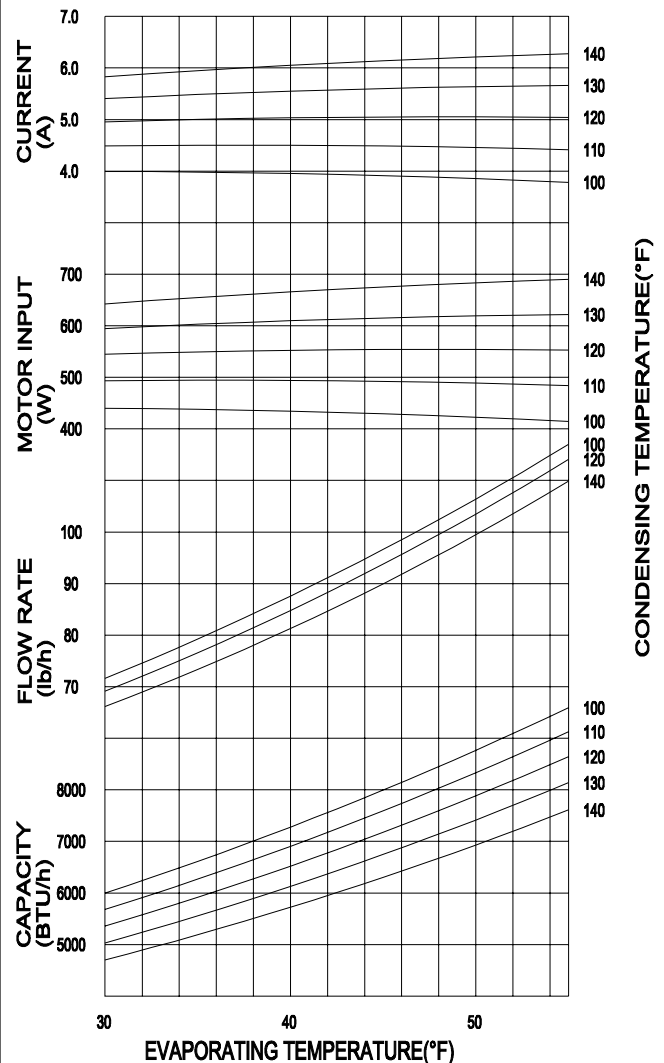
Condensing Temp.	149°F	65°C
Return Gas Temp.	95°F	35°C
Discharge Gas Temp.	239°F	115°C
Motor Wire Temp.	266°F	130°C

Electrical Components

Overload Protector	7100533 or 7100512	
Texas Instrument part #	MRA98916 or MRA98866-9201	
Run Capacitor	35 μF/250 VAC	

¹Rated @ ASHRAE/T Conditions

Evaporating Temp.	45°F	7.2°C
Condensing Temp.	130°F	54.4°C
Return Gas Temp.	95°F	35.0°C
Liquid Temp.	115°F	46.1°C
Ambient Temp.	95°F	35.0°C



Performance Data

Based on:

Return gas Temp.	95°F	35.0°C
Liquid sub-cooling	15°F	8.3°C
Ambient	95°F	35.0°C

COND. TEMP.

100°F	110°F	120°F	130°F	140°F
37.8°C	43.3°C	48.9°C	54.4°C	60°C

EVAP. TEMP.

35° F 1.7°C	Btu/hr	6610	6265	5915	5555	5185
	Watts	440	495	550	605	655
	Amperes	4.0	4.5	5.0	5.5	5.9

45° F 7.2°C	Btu/hr	7995	7590	7175	6745	6300
	Watts	430	490	555	615	675
	Amperes	3.9	4.5	5.0	5.6	6.1

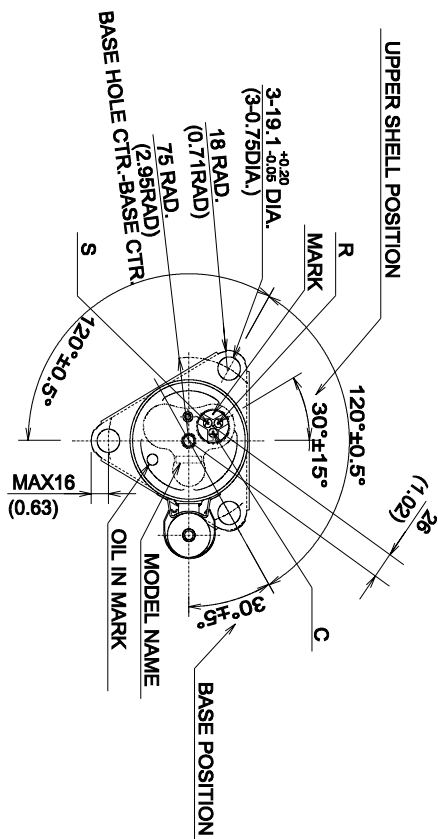
55° F 12.8°C	Btu/hr	9590	9125	8640	8135	7605
	Watts	415	485	555	620	690
	Amperes	3.8	4.4	5.0	5.7	6.3

BTU 7,000

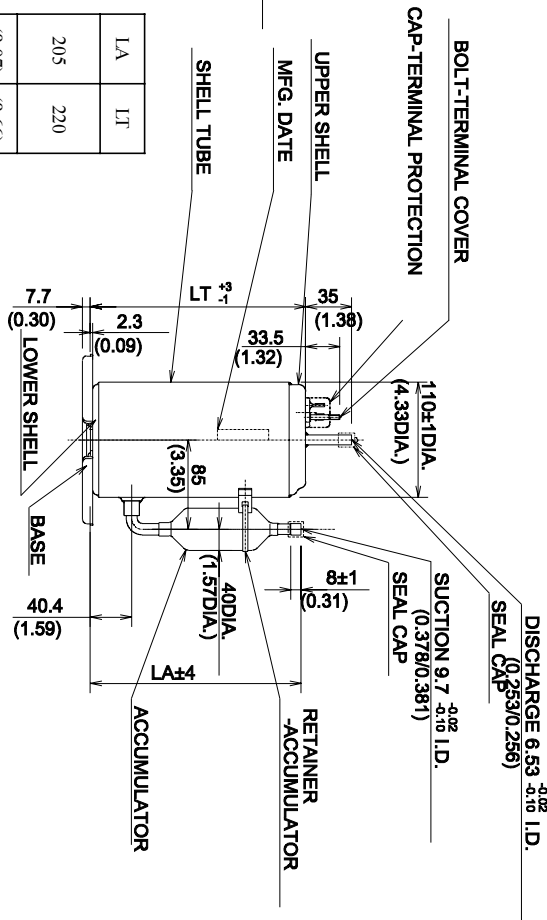
2R10U126B-6A

115 V, 60 Hz R-22

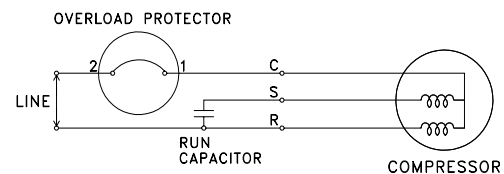
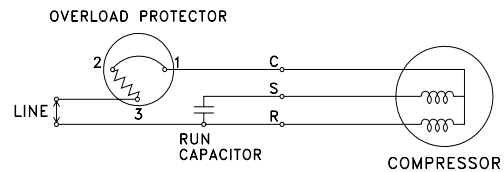
BTU 7,000



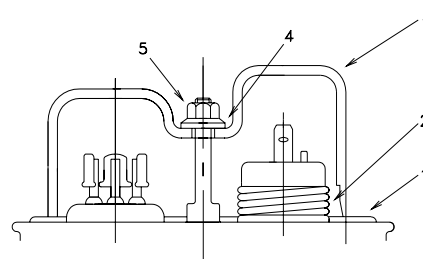
LA	LT
205	220
(8.07)	(8.66)



WIRING DIAGRAM

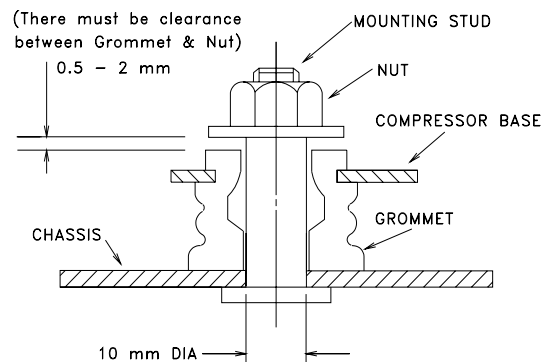


COMPRESSOR ACCESSORIES



Accessories	Part Number
1 Gasket-Terminal Cover	7070620U
2 Spring-OLP hold down	7041200
3 Terminal Cover	7070222U
4 Gasket-Nut	7070621U
5 Nut-Terminal Cover	7080300
Grommet	7070817

COMPRESSOR MOUNTING



Panasonic Industrial Company

Air Conditioning Department

2R11U126A-6B

115 V, 60 Hz R-22

2R11U126A-6B

Application	Cooling (C) / Heating (H)	
Ref. Charge Limit (C/H)	16.4 oz.	465 g
	(C) 19.4 oz.	550 g
Evap. Temp. Range (C/H)	5°F to 53.6°F	-15°C to 12°C
	(C) 14°F to 53.6°F	-10°C to 12°C
Specification Number	SC-52171822-A	

Rated Performance¹

Capacity	7,280 Btu/hr
Motor Input	660 Watts
Current	6.1 Amperes
E.E.R.	11.03 Btu/hr/ W

Compressor Data

Pump Type	Rotary	
Displacement	10.3 cc/rev	
Oil	ATMOS M60 or equivalent	
Oil Charge (Precharged)	8.8 fl. oz.	260 cc
Net Weight	19.8 lb	9.0 kg

Motor Data

Motor Type	Permanent Split Capacitor	
Locked Rotor Amperes	40 A at 120 V	
Winding Resistance	Main: 1.130Ω, Aux: 2.712Ω	
Max. Continuous Current ²		

Maximum Operating Conditions

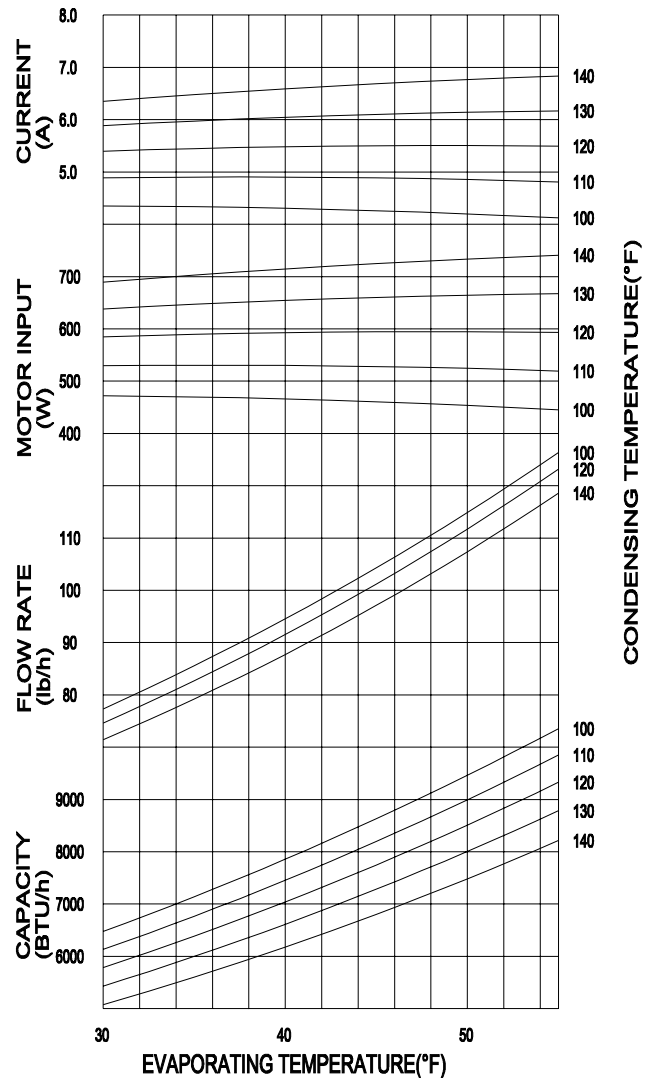
Condensing Temp.	149°F	65°C
Return Gas Temp.	95°F	35°C
Discharge Gas Temp.	239°F	115°C
Motor Wire Temp.	266°F	130°C

Electrical Components

Overload Protector	7100517
Texas Instrument part #	MRA98705
Run Capacitor	35 μF/230 VAC

¹Rated @ASHRAE/T Conditions

Evaporating Temp.	45°F	7.2°C
Condensing Temp.	130°F	54.4°C
Return Gas Temp.	95°F	35.0°C
Liquid Temp.	115°F	46.1°C
Ambient Temp.	95°F	35.0°C



Performance Data

Based on:

Return gas Temp.	95°F	35.0°C
Liquid sub-cooling	15°F	8.3°C
Ambient	95°F	35.0°C

COND. TEMP.

100°F	110°F	120°F	130°F	140°F
37.8°C	43.3°C	48.9°C	54.4°C	60°C

EVAP. TEMP.

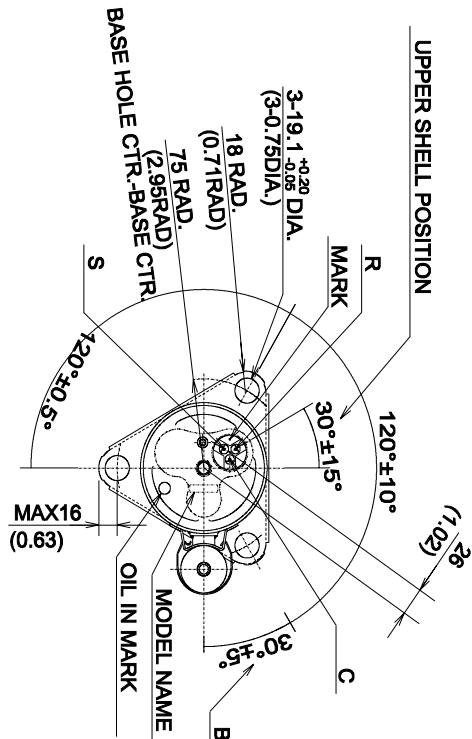
EVAP. TEMP.	COND. TEMP.					
	100°F	110°F	120°F	130°F	140°F	
35° F 1.7°C	Btu/hr	7138	6765	6384	5996	5599
	Watts	470	530	590	647	703
	Amperes	4.3	4.9	5.4	6.0	6.5
45° F 7.2°C	Btu/hr	8630	8194	7745	7280	6801
	Watts	461	528	594	660	725
	Amperes	4.3	4.9	5.5	6.1	6.7
55° F 12.8°C	Btu/hr	10352	9849	9326	8780	8212
	Watts	445	519	593	667	741
	Amperes	4.1	4.8	5.5	6.2	6.8

BTU 7,000

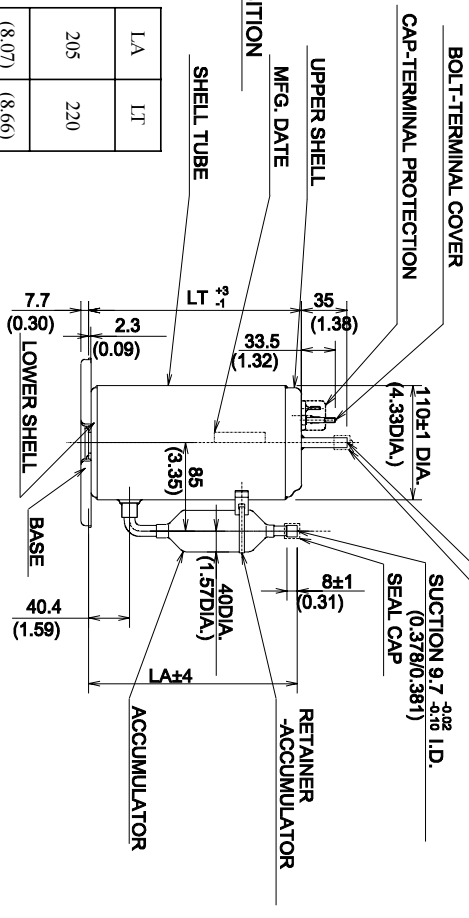
2R11U126A-6B

115 V, 60 Hz R-22

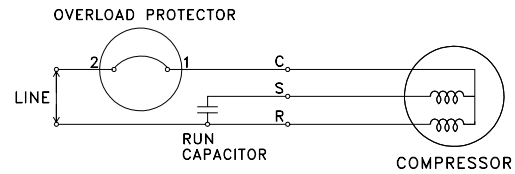
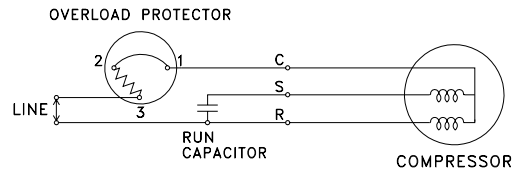
BTU 7,000



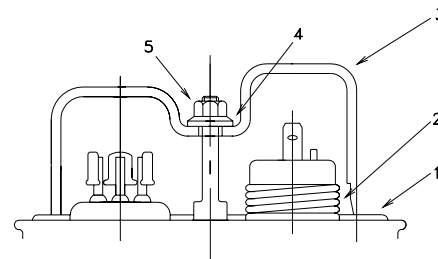
LA	LT
205 (8.07)	220 (8.66)



WIRING DIAGRAM

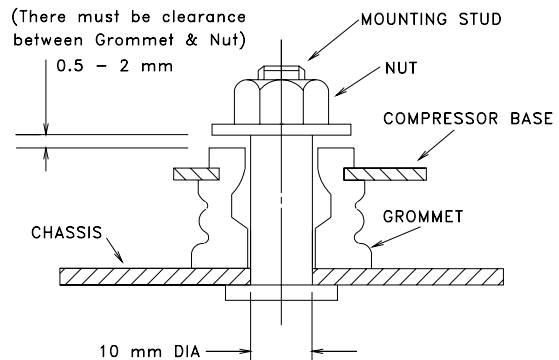


COMPRESSOR ACCESSORIES



Accessories	Part Number
1 Gasket-Terminal Cover	7070620U
2 Spring-OLP hold down	7041200
3 Terminal Cover	7070222U
4 Gasket-Nut	7070621U
5 Nut-Terminal Cover	7080300
Grommet	7070817

COMPRESSOR MOUNTING



Panasonic Industrial Company

Air Conditioning Department

2R12S3R126A-6A

115 V, 60 Hz R-22

2R12S3R126A-6A

Application	Cooling (C) / Heating (H)	
Ref. Charge Limit (C/H)	16.4 oz.	465 g
	(C)	19.4 oz. 550 g
Evap. Temp. Range (C/H)	5°F to 53.6°F	-15°C to 12°C
	(C)	14°F to 54°F -10°C to 12°C
Specification Number	SC-52170444-B	

Rated Performance¹

Capacity	7,955 Btu/hr
Motor Input	740 Watts
Current	6.9 Amperes
E.E.R.	10.75 Btu/hr/ W

Compressor Data

Pump Type	Rotary	
Displacement	11.4 cc/rev	
Oil	ATMOS M60 or equivalent	
Oil Charge (Precharged)	9.8 fl. oz.	290 cc
Net Weight	19.6 lb	8.9 kg

Motor Data

Motor Type	Permanent Split Capacitor	
Locked Rotor Amperes	42 A at 120 V	
Winding Resistance	Main: 0.949Ω, Aux: 2.867 Ω	
Max. Continuous Current ²		

Maximum Operating Conditions

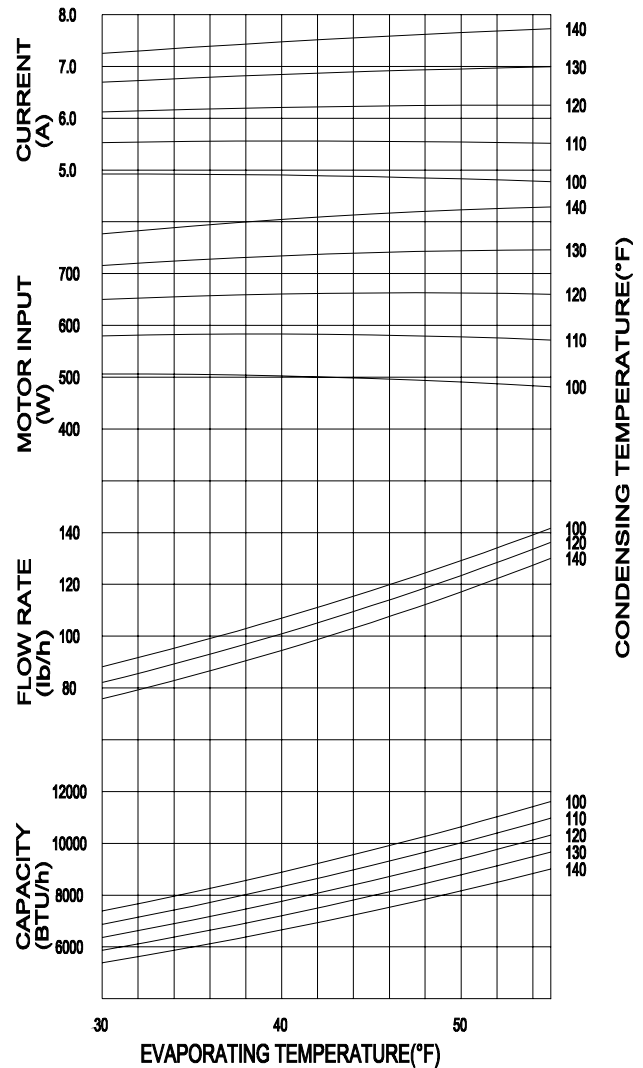
Condensing Temp.	149°F	65°C
Return Gas Temp.	95°F	35°C
Discharge Gas Temp.	239°F	115°C
Motor Wire Temp.	266°F	130°C

Electrical Components

Overload Protector	7100037 or 7100024	
Texas Instrument part #	MRA 98706 or MRA 98503	
Run Capacitor	35 μF/250 VAC	

¹Rated @ ASHRAE/T Conditions

Evaporating Temp.	45°F	7.2°C
Condensing Temp.	130°F	54.4°C
Return Gas Temp.	95°F	35.0°C
Liquid Temp.	115°F	46.1°C
Ambient Temp.	95°F	35.0°C



Performance Data

Based on:

Return gas Temp.	95°F	35.0°C
Liquid sub-cooling	15°F	8.3°C
Ambient	95°F	35.0°C

COND. TEMP.

100°F	110°F	120°F	130°F	140°F
37.8°C	43.3°C	48.9°C	54.4°C	60°C

EVAP. TEMP.

35° F 1.7°C	Btu/hr	8090	7560	7030	6510	6000
	Watts	505	580	655	725	795
	Amperes	4.9	5.5	6.2	6.8	7.4

45° F 7.2°C	Btu/hr	9705	9120	8535	7955	7375
	Watts	495	580	660	740	815
	Amperes	4.8	5.5	6.2	6.9	7.6

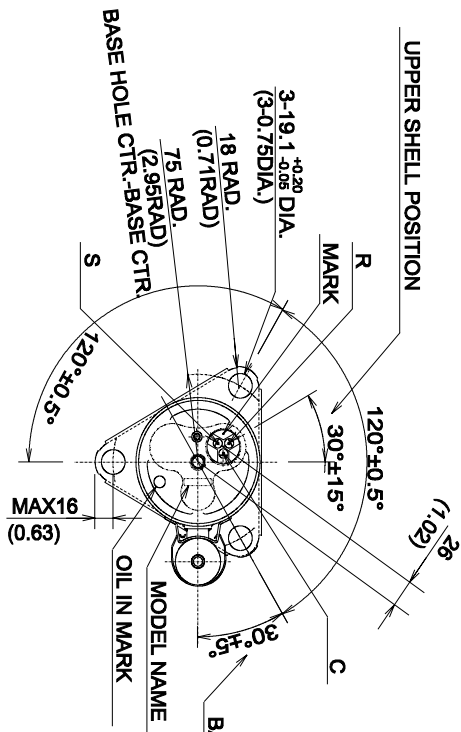
55° F 12.8°C	Btu/hr	11570	10935	10290	9645	9000
	Watts	480	570	660	745	830
	Amperes	4.7	5.4	6.2	7.0	7.7

BTU 8,000

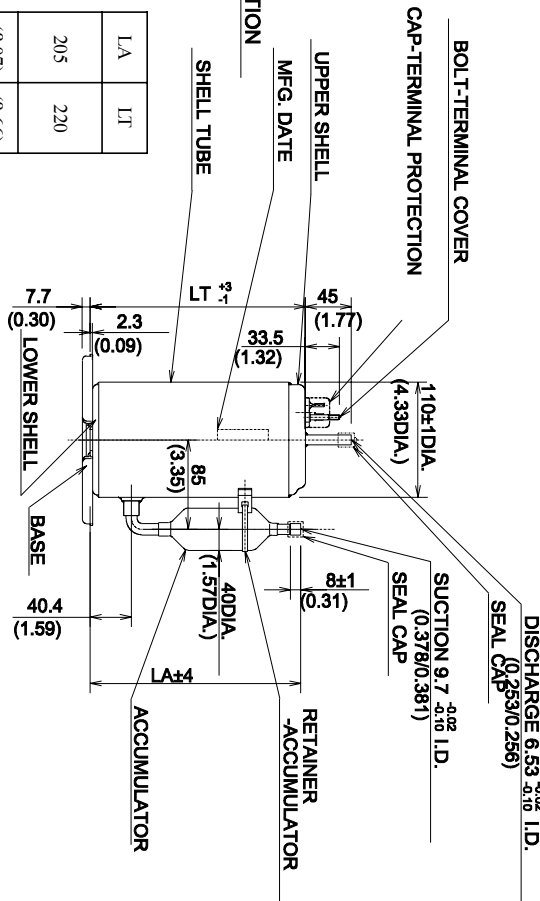
2R12S3R126A-6A

115 V, 60 Hz R-22

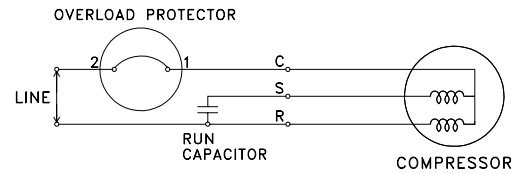
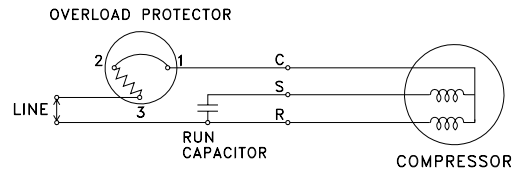
BTU 8,000



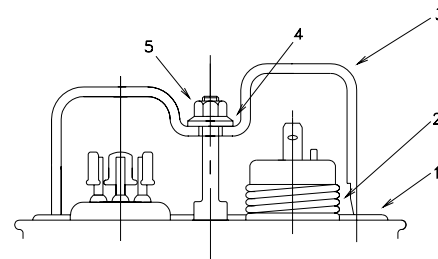
LA	LT
205	220
(8.07)	(8.66)



WIRING DIAGRAM

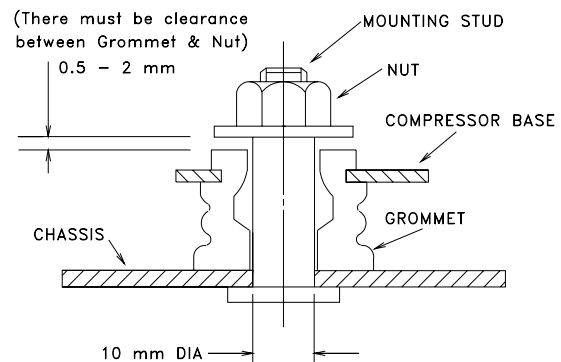


COMPRESSOR ACCESSORIES



Accessories	Part Number
1 Gasket-Terminal Cover	7070620U
2 Spring-OLP hold down	7041200
3 Terminal Cover	7070222U
4 Gasket-Nut	7070621U
5 Nut-Terminal Cover	7080300
Grommet	7070817

COMPRESSOR MOUNTING



Panasonic Industrial Company

Air Conditioning Department

2R13S3R126A-6A

115 V, 60 Hz R-22

2R13S3R126A-6A

Application	Cooling (C) / Heating (H)	
Ref. Charge Limit (C/H)	24.0 oz.	680 g
	(C) 28.2 oz.	800 g
Evap. Temp. Range (C/H)	5°F to 53.6°F	-15°C to 12°C
	(C) 14°F to 53.6°F	-10°C to 12°C
Specification Number	SC-52170445-A	

Rated Performance¹

Capacity	8,520/8,550 Btu/hr
Motor Input	795/795 Watts
Current	7.4/7.2 Amperes
E.E.R.	10.72/10.75 Btu/hr/ W

Compressor Data

Pump Type	Rotary	
Displacement	12.4 cc/rev	
Oil	ATMOS M60 or equivalent	
Oil Charge (Precharged)	9.8 fl. oz.	290 cc
Net Weight	19.8 lb	9.0 kg

Motor Data

Motor Type	Permanent Split Capacitor	
Locked Rotor Amperes	42 A at 120 V	
Winding Resistance	Main: 0.938Ω, Aux: 2.611Ω	
Max. Continuous Current ²		

Maximum Operating Conditions

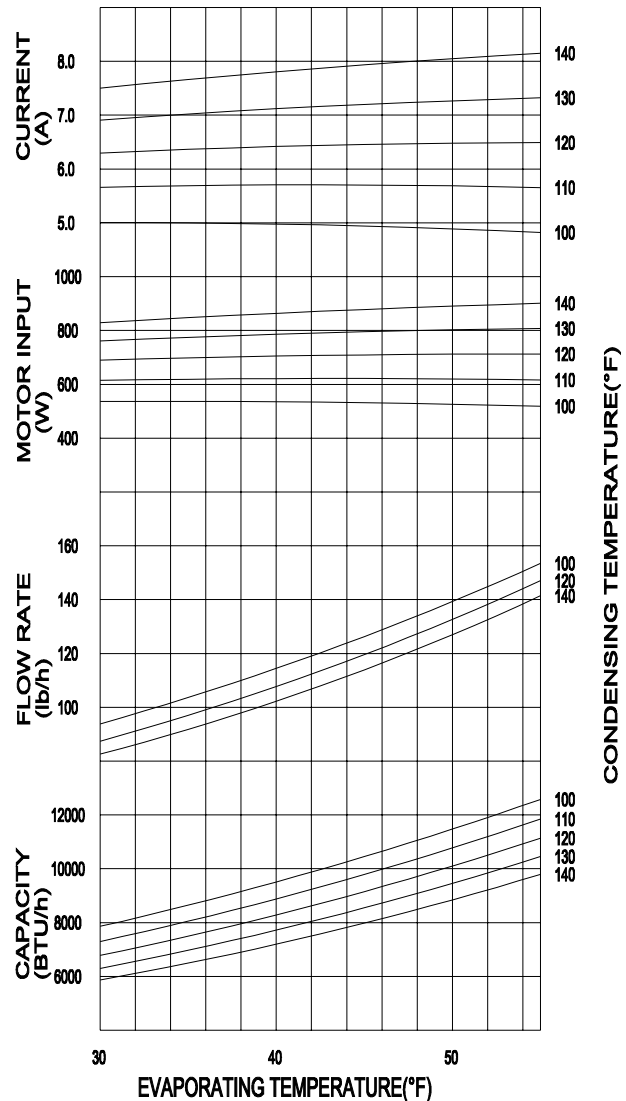
Condensing Temp.	149°F	65°C
Return Gas Temp.	95°F	35°C
Discharge Gas Temp.	239°F	115°C
Motor Wire Temp.	266°F	130°C

Electrical Components

Overload Protector	7100037 or 7100024	
Texas Instrument part #	MRA 98706 or MRA 98503	
Run Capacitor	35 or 40 μF/230 VAC	

¹Rated @ ASHRAE/T Conditions

Evaporating Temp.	45°F	7.2°C
Condensing Temp.	130°F	54.4°C
Return Gas Temp.	95°F	35.0°C
Liquid Temp.	115°F	46.1°C
Ambient Temp.	95°F	35.0°C



Performance Data

Based on:

Return gas Temp.	95°F	35.0°C
Liquid sub-cooling	15°F	8.3°C
Ambient	95°F	35.0°C

COND. TEMP.

100°F	110°F	120°F	130°F	140°F
37.8°C	43.3°C	48.9°C	54.4°C	60°C

EVAP. TEMP.

35° F 1.7°C	Btu/hr	8600	8080	7545	6995	6430
	Watts	540	625	700	770	830
	Amperes	5.0	5.7	6.4	7.0	7.6

45° F 7.2°C	Btu/hr	10400	9805	9190	8550	7885
	Watts	530	625	715	795	870
	Amperes	4.9	5.7	6.5	7.2	7.9

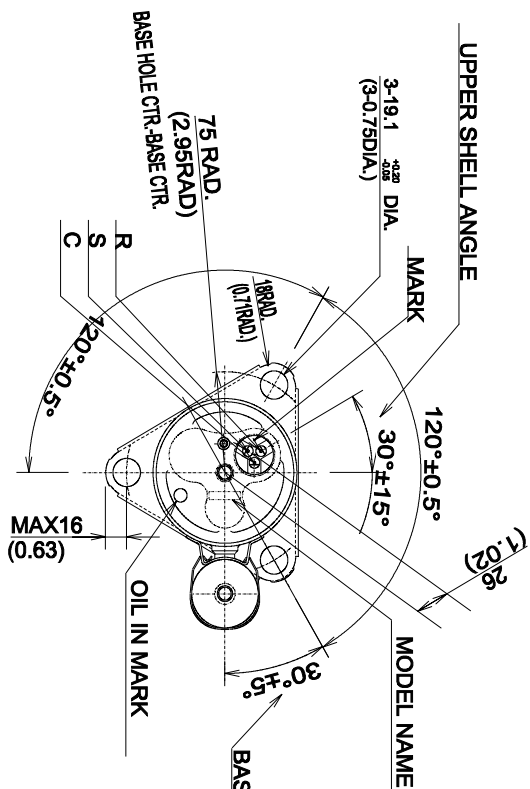
55° F 12.8°C	Btu/hr	12475	11800	11095	10355	9585
	Watts	510	610	710	805	890
	Amperes	4.7	5.6	6.5	7.3	8.1

BTU 9,000

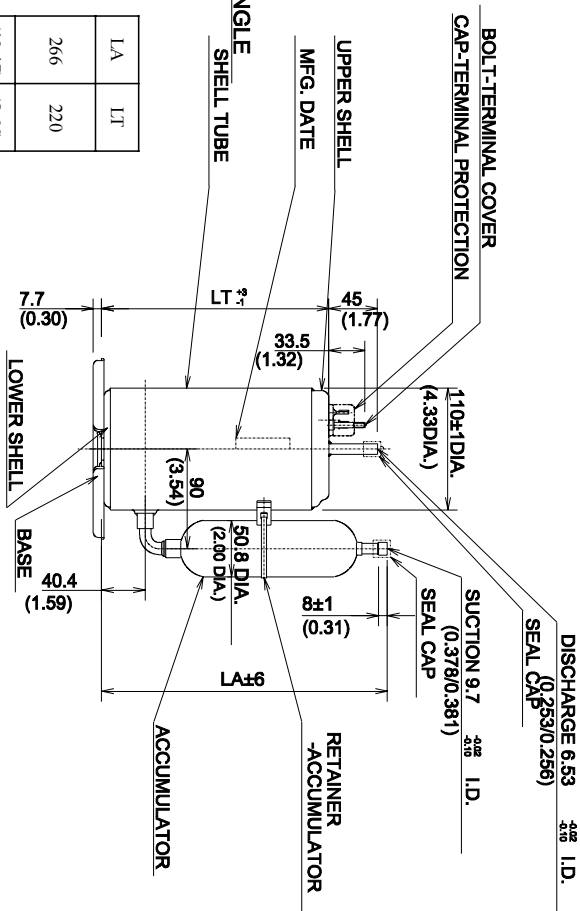
2R13S3R126A-6A

115 V, 60 Hz R-22

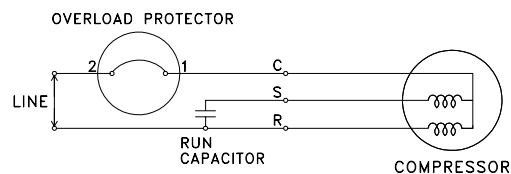
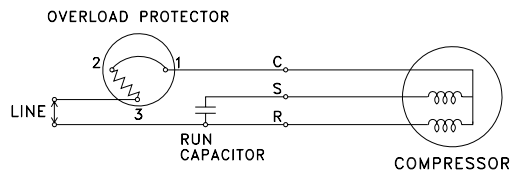
BTU 9,000



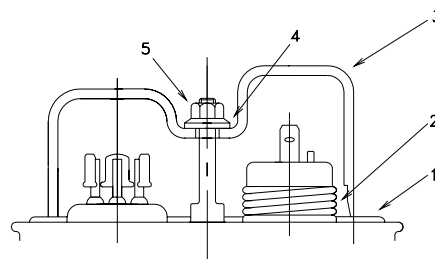
LA	LT
266	220
(10.47)	(8.66)



WIRING DIAGRAM

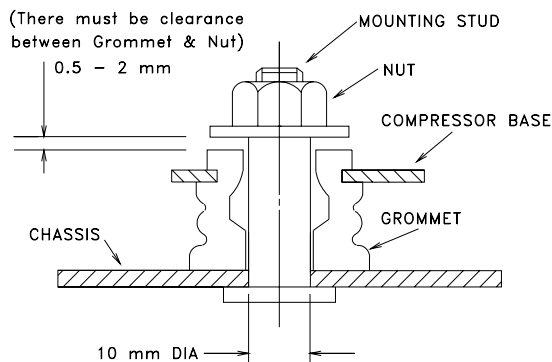


COMPRESSOR ACCESSORIES



Accessories	Part Number
1 Gasket-Terminal Cover	7070620U
2 Spring-OLP hold down	7041200
3 Terminal Cover	7070222U
4 Gasket-Nut	7070621U
5 Nut-Terminal Cover	7080300
Grommet	7070817

COMPRESSOR MOUNTING



Panasonic Industrial Company

Air Conditioning Department

2R13S3R236A-6A

208/230 V, 60 Hz R-22

2R13S3R236A-6A

Application	Cooling (C) / Heating (H)	
Ref. Charge Limit (C/H)	24.0 oz.	680 g
	(C)	28.2 oz. 800 g
Evap. Temp. Range (C/H)	5°F to 53.6°F	-15°C to 12°C
	(C)	14°F to 53.6°F -10°C to 12°C
Specification Number	SC-52170567-B	

Rated Performance @230V¹

Capacity	8,550 Btu/hr
Motor Input	795 Watts
Current	3.6 Amperes
E.E.R.	10.75 Btu/hr/ W

Compressor Data

Pump Type	Rotary	
Displacement	12.4 cc/rev	
Oil	ATMOS M60 or equivalent	
Oil Charge (Precharged)	9.8 fl. oz.	290 cc
Net Weight	19.8 lb	9.0 kg

Motor Data

Motor Type	Permanent Split Capacitor	
Locked Rotor Amperes	21 A at 240 V	
Winding Resistance	Main: 3.342Ω, Aux: 5.766Ω	
Max. Continuous Current ²		

Maximum Operating Conditions

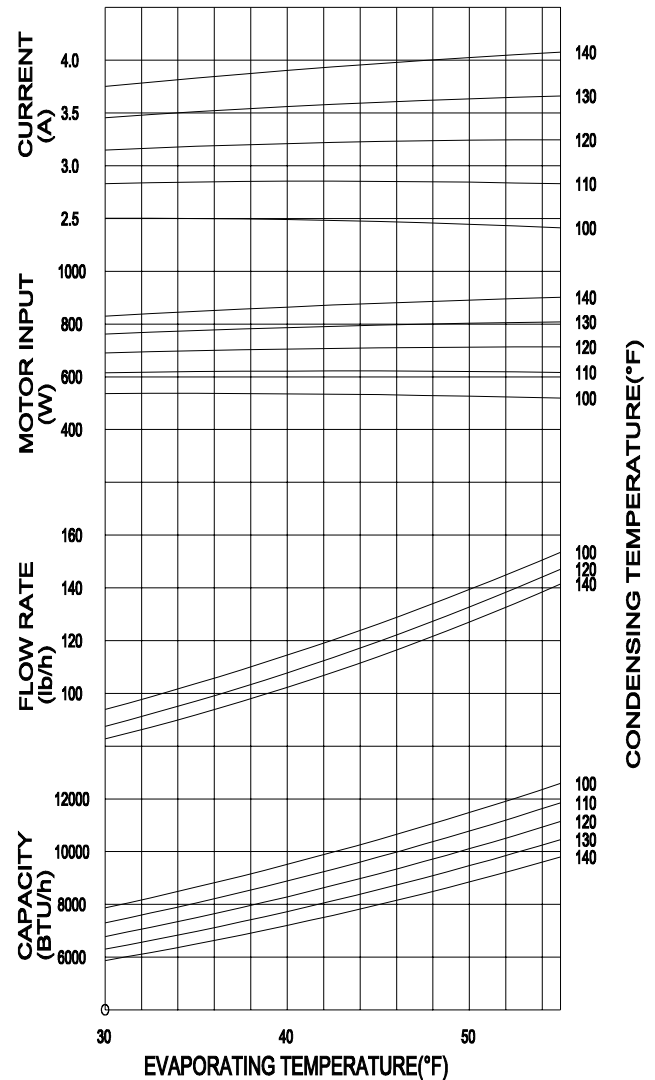
Condensing Temp.	149°F	65°C
Return Gas Temp.	95°F	35°C
Discharge Gas Temp.	239°F	115°C
Motor Wire Temp.	266°F	130°C

Electrical Components

Overload Protector	7100571 or 7100560	
Texas Instrument part #	MRA 99052 or MRA 99321	
Run Capacitor	15 μF/370 VAC	

¹Rated @ ASRE-T Conditions

Evaporating Temp.	45°F	7.2°C
Condensing Temp.	130°F	54.4°C
Return Gas Temp.	95°F	35.0°C
Liquid Temp.	115°F	46.1°C
Ambient Temp.	95°F	35.0°C



Performance Data @230V

Based on:

Return gas Temp.	95°F	35.0°C
Liquid sub-cooling	15°F	8.3°C
Ambient	95°F	35.0°C

COND. TEMP.

100°F	110°F	120°F	130°F	140°F
37.8°C	43.3°C	48.9°C	54.4°C	60°C

EVAP. TEMP.

35° F 1.7°C	Btu/hr	8655	8055	7495	6970	6490
	Watts	535	620	700	775	850
	Amperes	2.5	2.8	3.2	3.5	3.8

45° F 7.2°C	Btu/hr	10465	9795	9155	8550	7975
	Watts	530	620	710	795	880
	Amperes	2.5	2.9	3.2	3.6	4.0

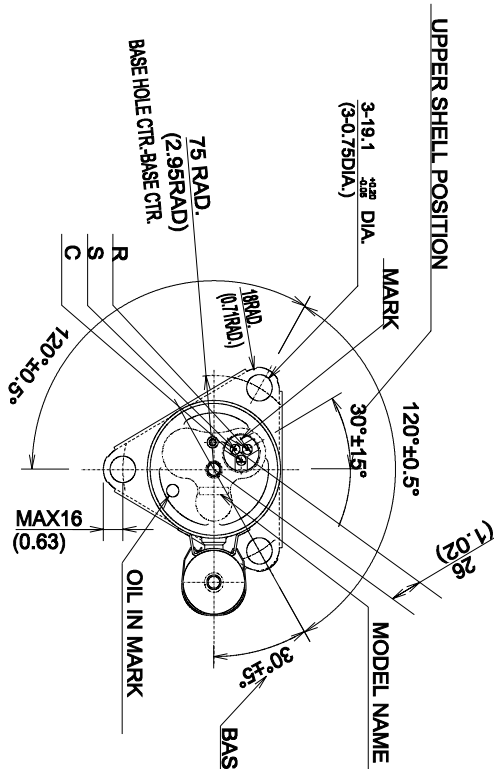
55° F 12.8°C	Btu/hr	12595	11860	11145	10455	9795
	Watts	515	615	710	805	900
	Amperes	2.4	2.8	3.2	3.7	4.1

BTU 9,000

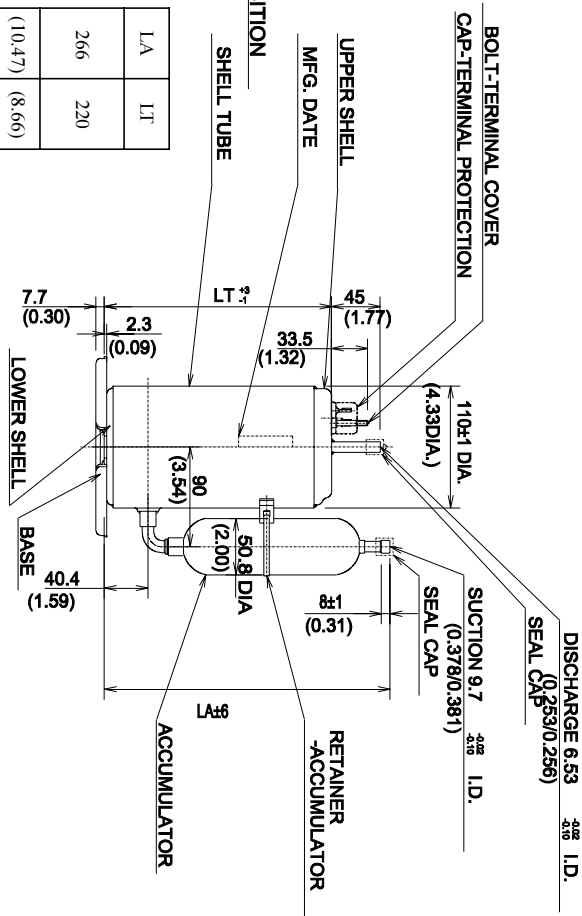
2R13S3R236A-6A

208/230 V, 60 Hz R-22

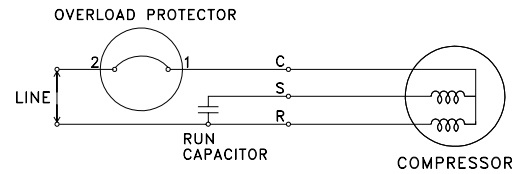
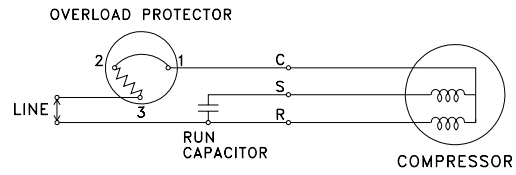
BTU 9,000



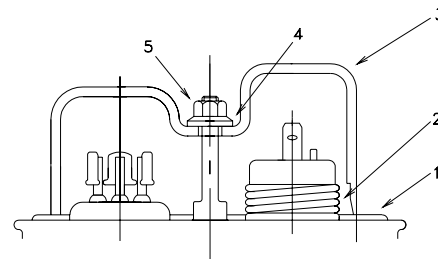
LA	LT
266	220
(10.47)	(8.66)



WIRING DIAGRAM

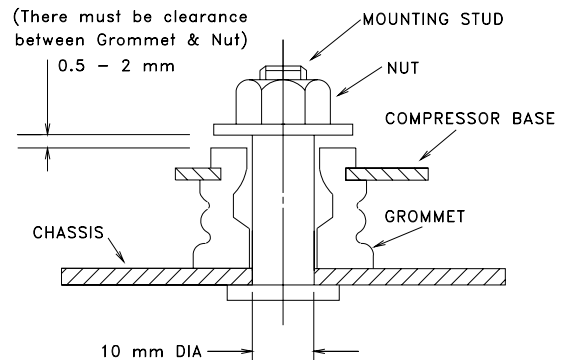


COMPRESSOR ACCESSORIES



Accessories	Part Number
1 Gasket-Terminal Cover	7070620U
2 Spring-OLP hold down	7041200
3 Terminal Cover	7070222U
4 Gasket-Nut	7070621U
5 Nut-Terminal Cover	7080300
Grommet	7070817

COMPRESSOR MOUNTING



Panasonic Industrial Company

Air Conditioning Department

2R13S3R236A-6A

208/230 V, 60 Hz R-22

2R13S3R236A-6A

Application	Cooling (C) / Heating (H)	
Ref. Charge Limit (C/H)	24.0 oz.	680 g
	(C)	28.2 oz. 800 g
Evap. Temp. Range (C/H)	5°F to 53.6°F	-15°C to 12°C
	(C)	14°F to 53.6°F -10°C to 12°C
Specification Number	SC-52170567-B	

Rated Performance @230V¹

Capacity	8,550 Btu/hr
Motor Input	795 Watts
Current	3.6 Amperes
E.E.R.	10.75 Btu/hr/ W

Compressor Data

Pump Type	Rotary	
Displacement	12.4 cc/rev	
Oil	ATMOS M60 or equivalent	
Oil Charge (Precharged)	9.8 fl. oz.	290 cc
Net Weight	19.8 lb	9.0 kg

Motor Data

Motor Type	Permanent Split Capacitor	
Locked Rotor Amperes	21 A at 240 V	
Winding Resistance	Main: 3.342Ω, Aux: 5.766Ω	
Max. Continuous Current ²		

Maximum Operating Conditions

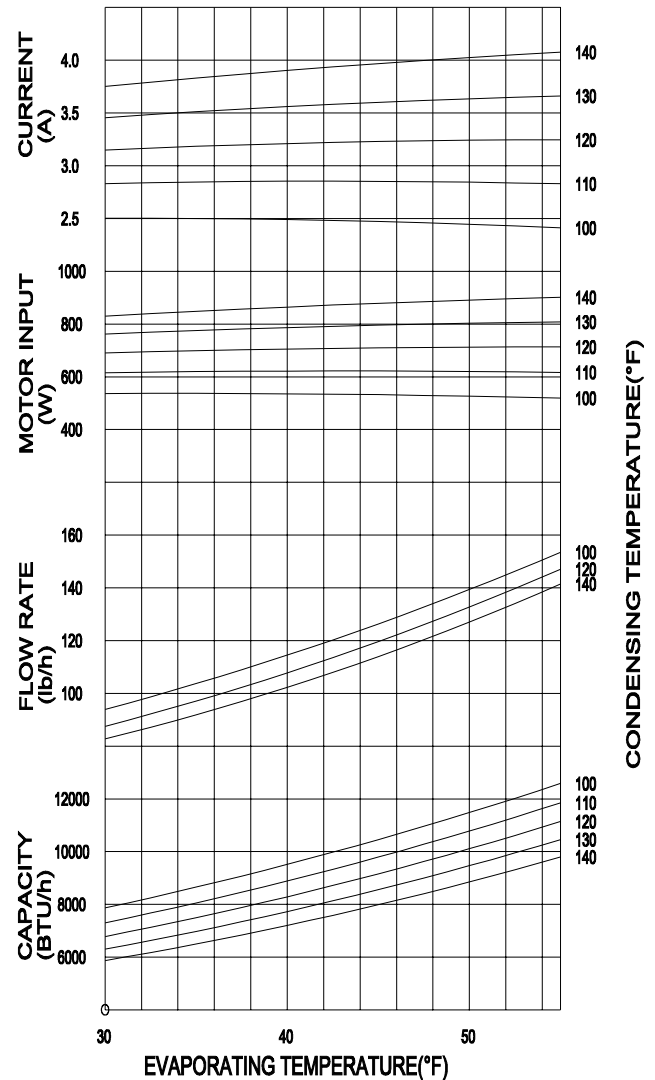
Condensing Temp.	149°F	65°C
Return Gas Temp.	95°F	35°C
Discharge Gas Temp.	239°F	115°C
Motor Wire Temp.	266°F	130°C

Electrical Components

Overload Protector	7100571 or 7100560	
Texas Instrument part #	MRA 99052 or MRA 99321	
Run Capacitor	15 μF/370 VAC	

¹Rated @ ASRE-T Conditions

Evaporating Temp.	45°F	7.2°C
Condensing Temp.	130°F	54.4°C
Return Gas Temp.	95°F	35.0°C
Liquid Temp.	115°F	46.1°C
Ambient Temp.	95°F	35.0°C



Performance Data @230V

Based on:

Return gas Temp.	95°F	35.0°C
Liquid sub-cooling	15°F	8.3°C
Ambient	95°F	35.0°C

COND. TEMP.

100°F	110°F	120°F	130°F	140°F
37.8°C	43.3°C	48.9°C	54.4°C	60°C

EVAP. TEMP.

35° F 1.7°C	Btu/hr	8655	8055	7495	6970	6490
	Watts	535	620	700	775	850
	Amperes	2.5	2.8	3.2	3.5	3.8

45° F 7.2°C	Btu/hr	10465	9795	9155	8550	7975
	Watts	530	620	710	795	880
	Amperes	2.5	2.9	3.2	3.6	4.0

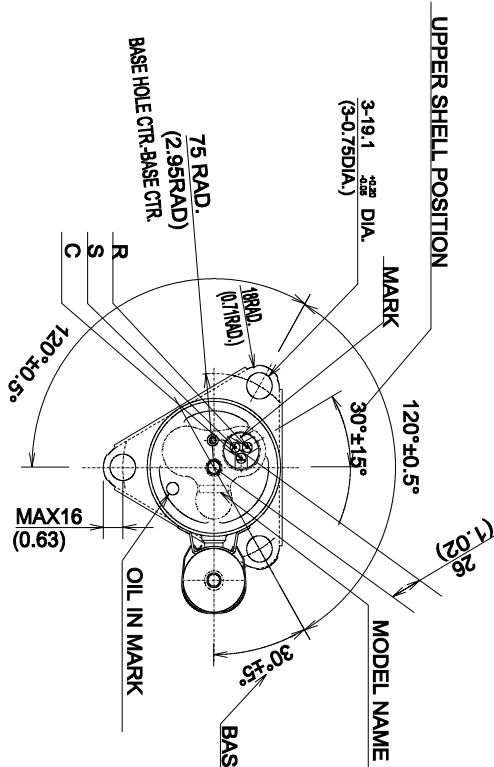
55° F 12.8°C	Btu/hr	12595	11860	11145	10455	9795
	Watts	515	615	710	805	900
	Amperes	2.4	2.8	3.2	3.7	4.1

BTU 9,000

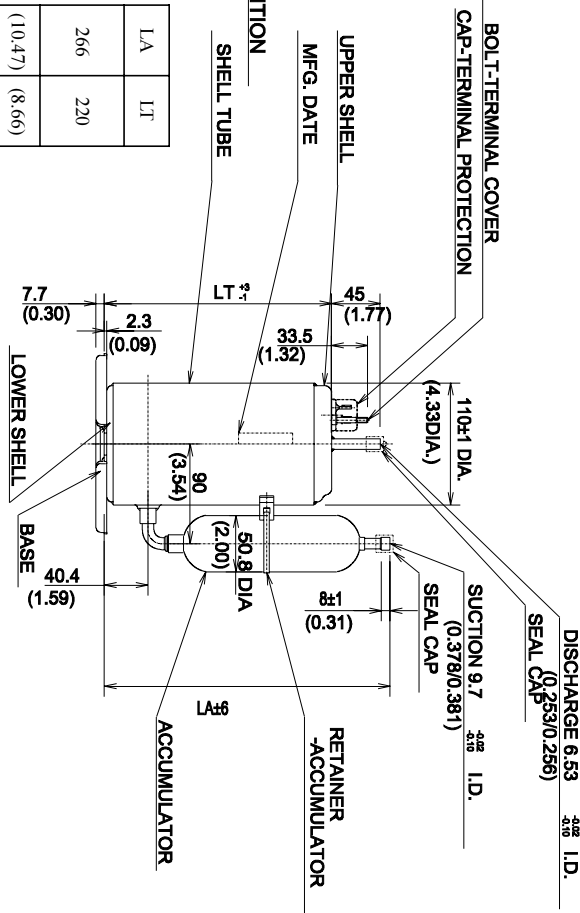
2R13S3R236A-6A

208/230 V, 60 Hz R-22

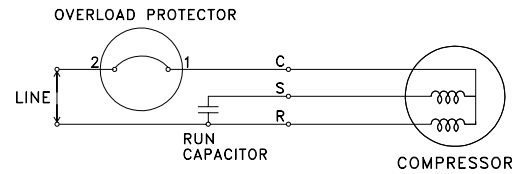
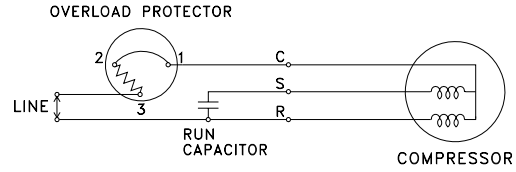
BTU 9,000



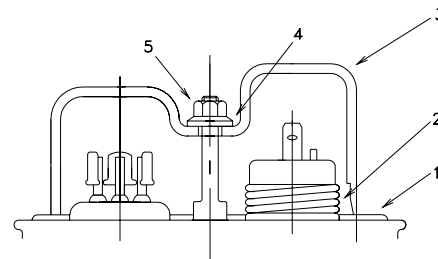
LA	LT
266	220
(10.47)	(8.66)



WIRING DIAGRAM

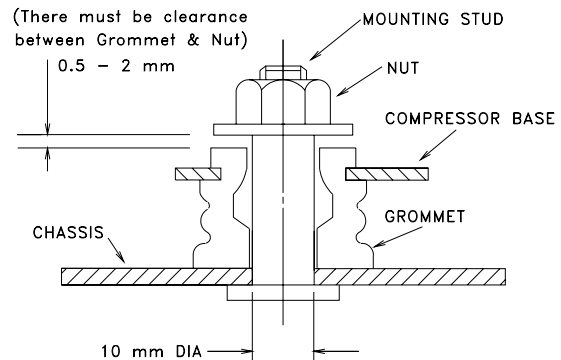


COMPRESSOR ACCESSORIES



Accessories	Part Number
1 Gasket-Terminal Cover	7070620U
2 Spring-OLP hold down	7041200
3 Terminal Cover	7070222U
4 Gasket-Nut	7070621U
5 Nut-Terminal Cover	7080300
Grommet	7070817

COMPRESSOR MOUNTING



Panasonic Industrial Company

Air Conditioning Department

2R13S3R276A-6A

265/277 V, 60 Hz R-22

2R13S3R276A-6A

Application	Cooling (C) / Heating (H)	
Ref. Charge Limit (C/H)	24.0 oz.	680 g
	(C) 28.2 oz.	800 g
Evap. Temp. Range (C/H)	5°F to 53.6°F	-15°C to 12°C
	(C) 14°F to 53.6°F	-10°C to 12°C
Specification Number	SC-51171001-A	

Rated Performance @265V¹

Capacity	8,550 Btu/hr
Motor Input	795 Watts
Current	3.0 Amperes
E.E.R.	10.75 Btu/hr/ W

Compressor Data

Pump Type	Rotary	
Displacement	12.4 cc/rev	
Oil	ATMOS M60 or equivalent	
Oil Charge (Precharged)	9.8 fl. oz.	290 cc
Net Weight	19.6 lb	8.9 kg

Motor Data

Motor Type	Permanent Split Capacitor	
Locked Rotor Amperes	18 A at 277V	
Winding Resistance	Main: 4.794Ω, Aux:5.217Ω	
Max. Continuous Current ²		

Maximum Operating Conditions

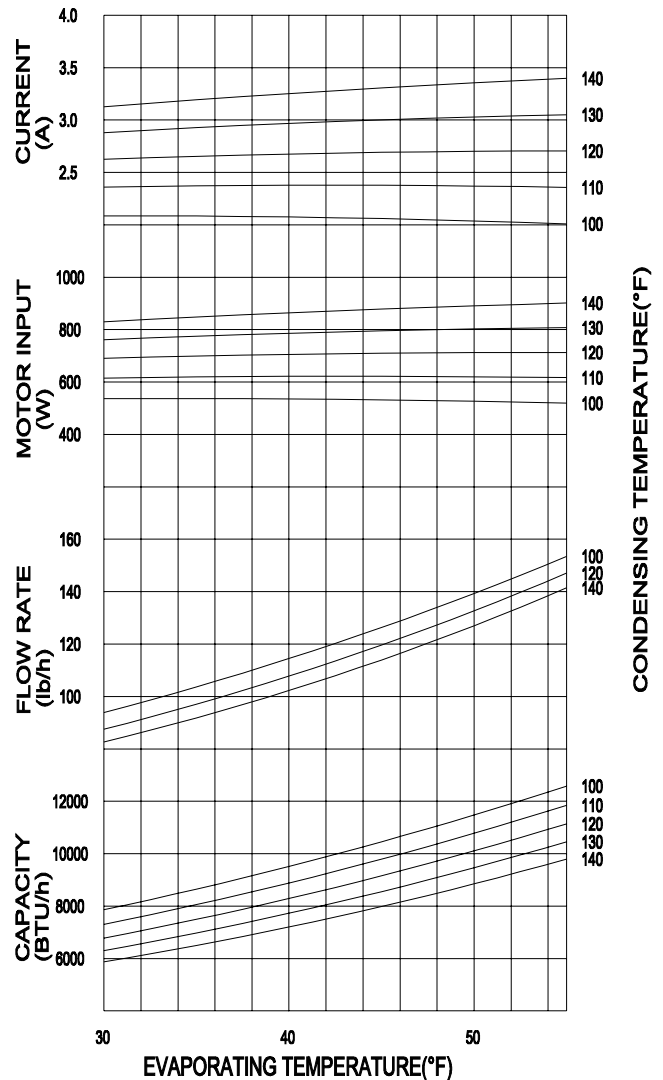
Condensing Temp.	149°F	65°C
Return Gas Temp.	95°F	35°C
Discharge Gas Temp.	239°F	115°C
Motor Wire Temp.	266°F	130°C

Electrical Components

Overload Protector	7100523
Texas Instrument part #	MRA 98967
Run Capacitor	15 μF/400 VAC

¹Rated @ASHRAE/T Conditions

Evaporating Temp.	45°F	7.2°C
Condensing Temp.	130°F	54.4°C
Return Gas Temp.	95°F	35.0°C
Liquid Temp.	115°F	46.1°C
Ambient Temp.	95°F	35.0°C



BTU 9,000

Performance Data @265V

Based on:

Return gas Temp.	95°F	35.0°C
Liquid sub-cooling	15°F	8.3°C
Ambient	95°F	35.0°C

COND. TEMP.

100°F	110°F	120°F	130°F	140°F
37.8°C	43.3°C	48.9°C	54.4°C	60°C

EVAP. TEMP.

35° F 1.7° C	Btu/hr	8645	8050	7490	6970	6495
	Watts	535	620	700	775	850
	Amperes	2.1	2.4	2.7	2.9	3.2

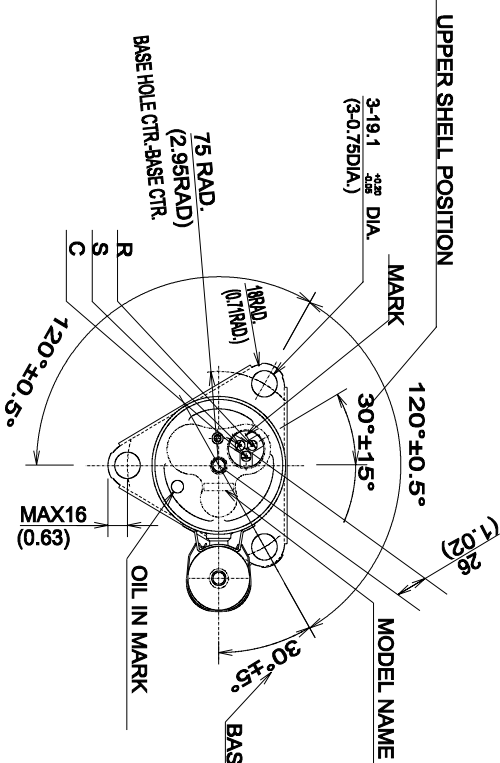
45° F 7.2° C	Btu/hr	10455	9790	9155	8550	7980
	Watts	530	620	710	795	880
	Amperes	2.1	2.4	2.7	3.0	3.3

55° F 12.8° C	Btu/hr	12580	11845	11140	10455	9795
	Watts	520	615	715	810	900
	Amperes	2.0	2.4	2.7	3.1	3.4

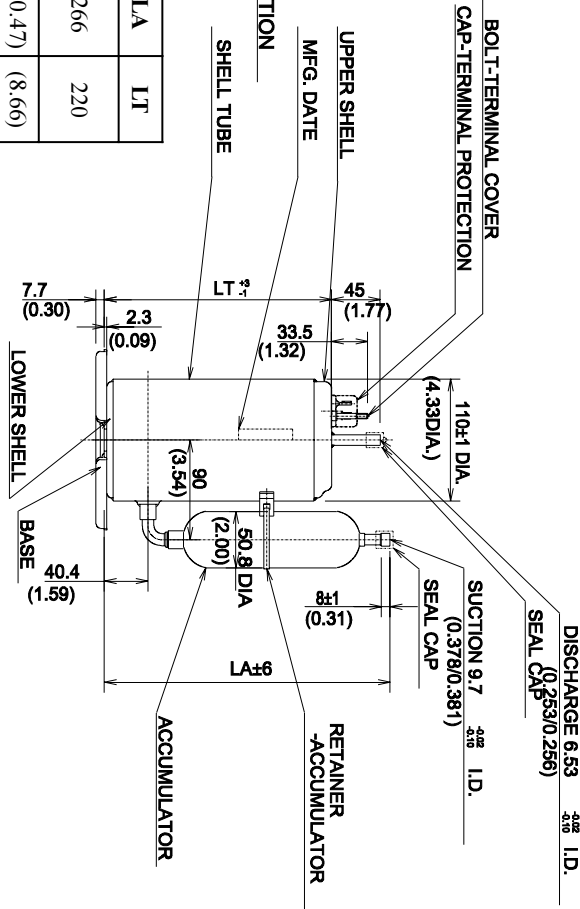
2R13S3R276A-6A

265/277 V, 60 Hz R-22

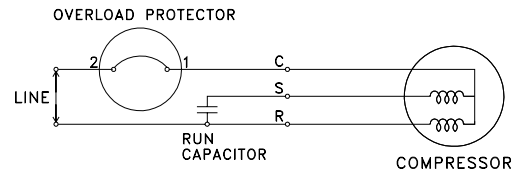
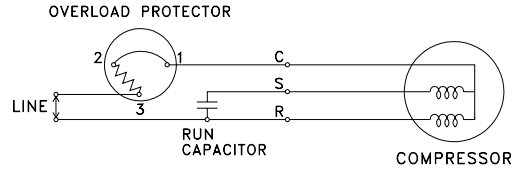
BTU 9,000



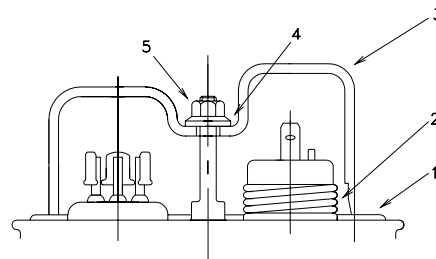
LA	LT
266	220
(10.47)	(8.66)



WIRING DIAGRAM

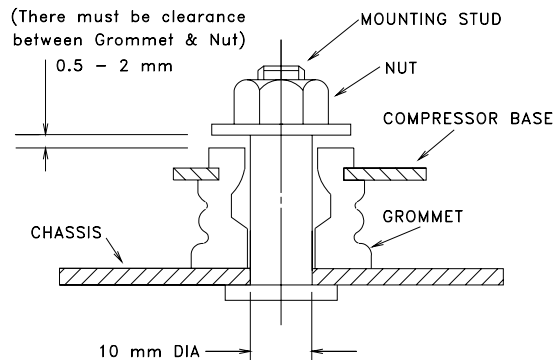


COMPRESSOR ACCESSORIES



Accessories	Part Number
1 Gasket-Terminal Cover	7070620U
2 Spring-OLP hold down	7041200
3 Terminal Cover	7070222U
4 Gasket-Nut	7070621U
5 Nut-Terminal Cover	7080300
Grommet	7070817

COMPRESSOR MOUNTING



Panasonic Industrial Company

Air Conditioning Department

2R7S3R126A-6A

115 V, 60 Hz R-22

2R7S3R126A-6A

Application	Cooling (C) /Heating (H)	
Ref. Charge Limit (C/H)	16.4 oz.	465 g
(C)	19.4 oz.	550 g
Evap. Temp. Range (C/H)	5°F to 53.6°F	-15°C to 12°C
(C)	14°F to 53.6°F	-10°C to 12°C
Specification Number	SC-52170774-B	

Rated Performance¹

Capacity	5,040 Btu/hr
Motor Input	468 Watts
Current	4.2 Amperes
E.E.R.	10.77 Btu/hr/ W

Compressor Data

Pump Type	Rotary	
Displacement	7.3 cc/rev	
Oil	ATMOS M60 or equivalent	
Oil Charge (Precharged)	8.8 fl. oz.	260 cc
Net Weight	18.5 lb	8.4 kg

Motor Data

Motor Type	Permanent Split Capacitor	
Locked Rotor Amperes	29 A at 120 V	
Winding Resistance	Main: 1.309Ω, Aux: 2.869Ω	
Max. Continuous Current ²		

Maximum Operating Conditions

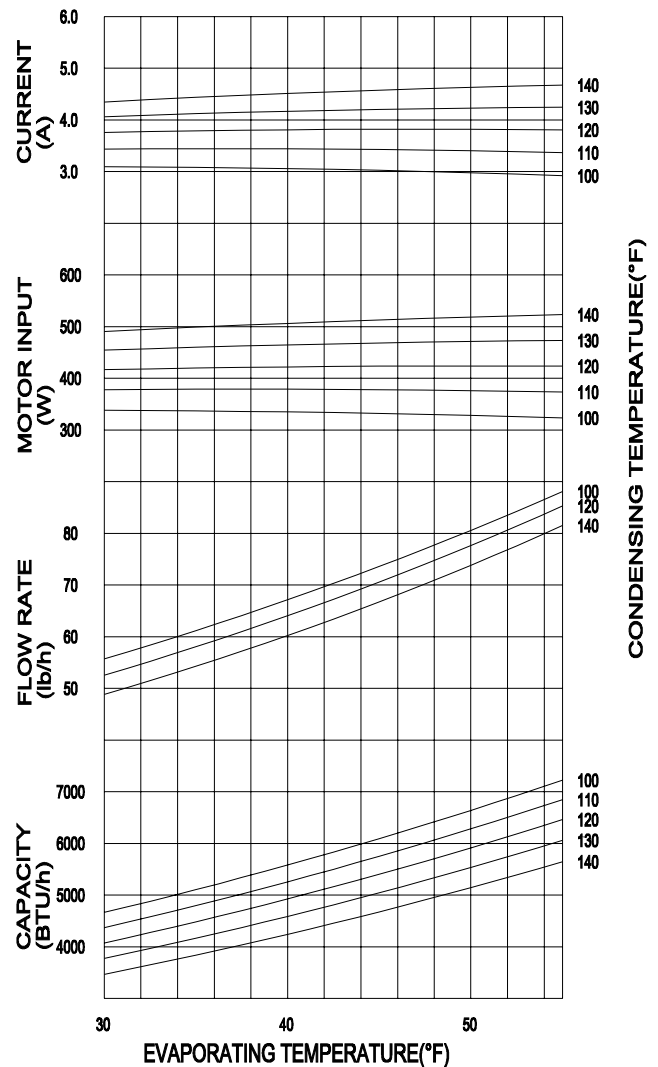
Condensing Temp.	149°F	65°C
Return Gas Temp.	95°F	35°C
Discharge Gas Temp.	239°F	115°C
Motor Wire Temp.	266°F	130°C

Electrical Components

Overload Protector	7100590	
Texas Instrument part #	MRA 99087	
Run Capacitor	35 μF/230 VAC	

¹Rated @ASHRAE/T Conditions

Evaporating Temp.	45°F	7.2°C
Condensing Temp.	130°F	54.4°C
Return Gas Temp.	95°F	35.0°C
Liquid Temp.	115°F	46.1°C
Ambient Temp.	95°F	35.0°C



Performance Data

Based on:

Return gas Temp.	95°F	35.0°C
Liquid sub-cooling	15°F	8.3°C
Ambient	95°F	35.0°C

COND. TEMP.

100°F	110°F	120°F	130°F	140°F
37.8°C	43.3°C	48.9°C	54.4°C	60°C

EVAP. TEMP.

35° F 1.7°C	Btu/hr	5100	4795	4480	4160	3835
	Watts	335	380	420	460	500
	Amperes	3.1	3.4	3.8	4.1	4.4

45° F 7.2°C	Btu/hr	6085	5745	5400	5040	4670
	Watts	330	380	425	468	510
	Amperes	3.0	3.4	3.8	4.2	4.6

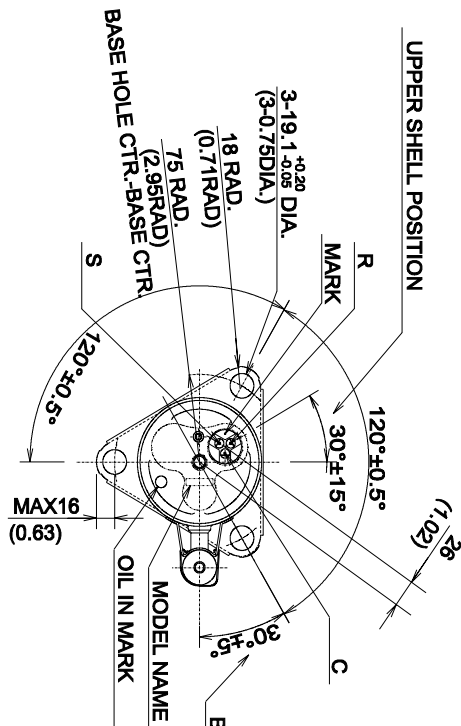
55° F 12.8°C	Btu/hr	7220	6845	6460	6060	5640
	Watts	325	375	425	475	525
	Amperes	2.9	3.4	3.8	4.2	4.7

BTU 5,000

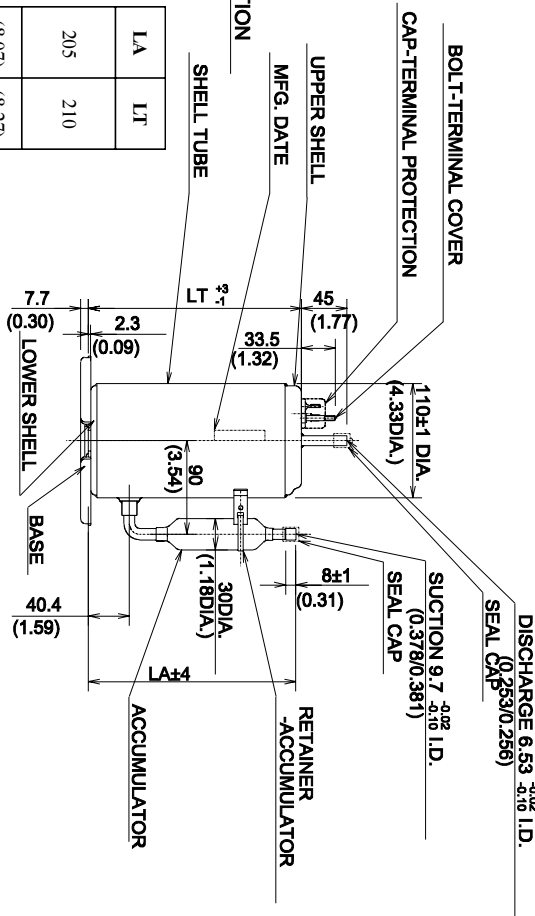
2R7S3R126A-6A

115 V, 60 Hz R-22

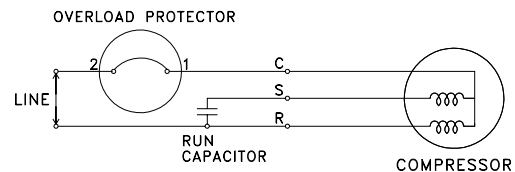
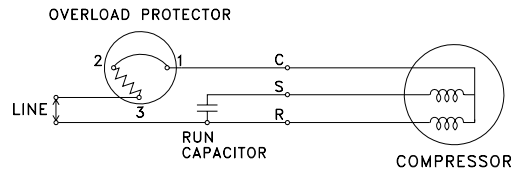
BTU 5,000



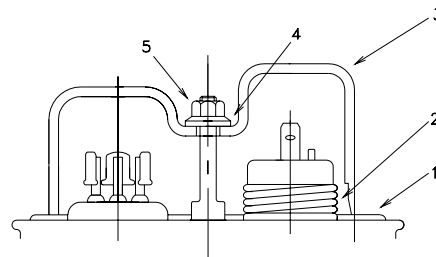
LA	LT
205	210
(8.07)	(8.27)



WIRING DIAGRAM

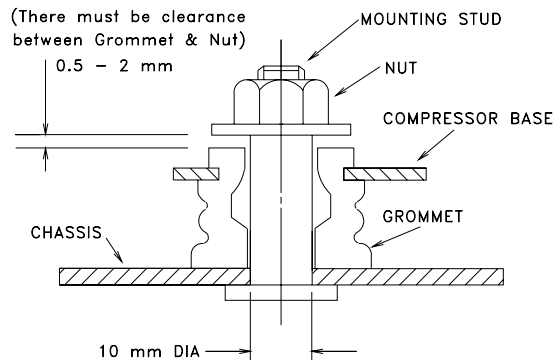


COMPRESSOR ACCESSORIES



Accessories	Part Number
1 Gasket-Terminal Cover	7070620U
2 Spring-OLP hold down	7041200
3 Terminal Cover	7070222U
4 Gasket-Nut	7070621U
5 Nut-Terminal Cover	7080300
Grommet	7070817

COMPRESSOR MOUNTING



This document sets forth certain operational parameters and conditions for operation of this product. If this product is operated outside of the parameters and conditions stated herein, buyer assumes sole and full responsibility and shall indemnify seller with respect to all product failures, and all consequences thereof. Operation of the product outside of the parameters and conditions specified herein shall serve to invalidate all seller warranties, if any, with respect to the product. Use this document as reference only. For specifications, please contact Panasonic's engineering department.

Panasonic Industrial Company

Air Conditioning Department

2R8S3R126A-6A

115 V, 60 Hz R-22

2R8S3R126A-6A

Application	Cooling (C) / Heating (H)	
Ref. Charge Limit (C/H)	19.4 oz.	550 g
	(C)	16.4 oz. 465 g
Evap. Temp. Range (C/H)	5°F to 53.6°F	-15°C to 12°C
	(C)	14°F to 53.6°F -10°C to 12°C
Specification Number	SC-52170416-C	

Rated Performance¹

Capacity	5,595 Btu/hr
Motor Input	520 Watts
Current	4.8 Amperes
E.E.R.	10.76 Btu/hr/ W

Compressor Data

Pump Type	Rotary	
Displacement	8.0 cc/rev	
Oil	ATMOS M60 or equivalent	
Oil Charge (Precharged)	8.8 fl. oz.	260 cc
Net Weight	18.7 lb	8.5 kg

Motor Data

Motor Type	Permanent Split Capacitor	
Locked Rotor Amperes	34 A at 120 V	
Winding Resistance	Main: 1.221Ω, Aux: 2.722Ω	
Max. Continuous Current ²		

Maximum Operating Conditions

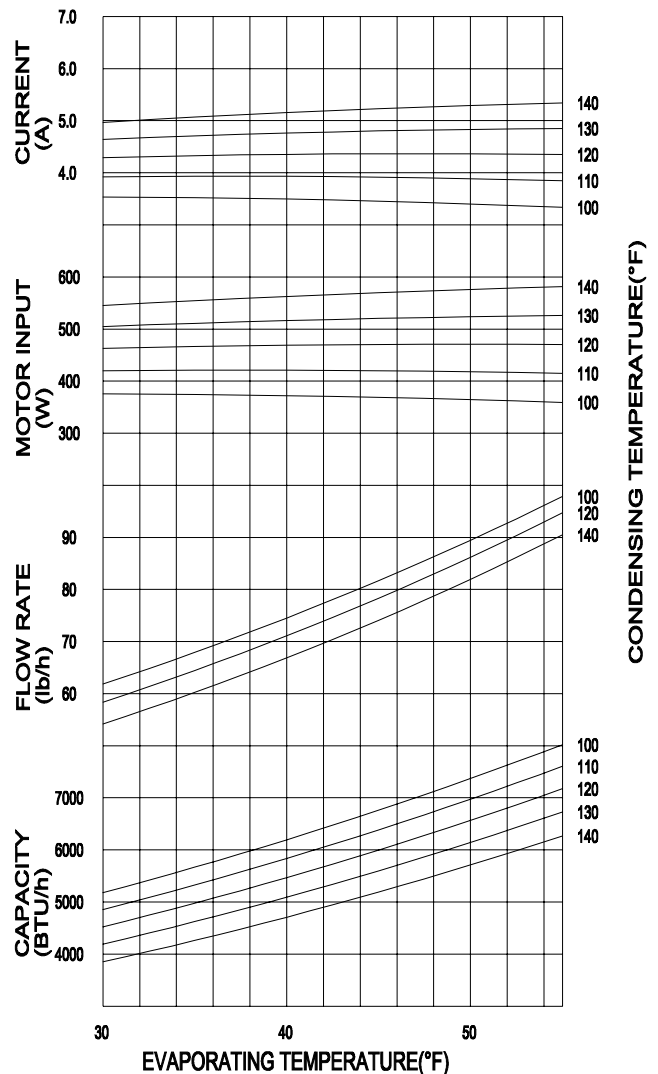
Condensing Temp.	149°F	65°C
Return Gas Temp.	95°F	35°C
Discharge Gas Temp.	239°F	115°C
Motor Wire Temp.	266°F	130°C

Electrical Components

Overload Protector	7100062 or 7100063	
Texas Instrument part #	MRA 98564 or MRA 98745	
Run Capacitor	35 μF/230 VAC	

¹Rated @ ASHRAE/T Conditions

Evaporating Temp.	45°F	7.2°C
Condensing Temp.	130°F	54.4°C
Return Gas Temp.	95°F	35.0°C
Liquid Temp.	115°F	46.1°C
Ambient Temp.	95°F	35.0°C



Performance Data

Based on:

Return gas Temp.	95°F	35.0°C
Liquid sub-cooling	15°F	8.3°C
Ambient	95°F	35.0°C

COND. TEMP.

100°F	110°F	120°F	130°F	140°F
37.8°C	43.3°C	48.9°C	54.4°C	60°C

EVAP. TEMP.

EVAP. TEMP.		COND. TEMP.				
		100°F	110°F	120°F	130°F	140°F
35° F 1.7°C	Btu/hr	5675	5325	4970	4605	4235
	Watts	375	420	465	510	550
	Amperes	3.5	3.9	4.3	4.7	5.1
45° F 7.2°C	Btu/hr	6785	6400	6000	5595	5175
	Watts	365	420	470	520	565
	Amperes	3.5	3.9	4.4	4.8	5.2
55° F 12.8°C	Btu/hr	8055	7630	7190	6740	6270
	Watts	355	410	470	525	580
	Amperes	3.3	3.8	4.4	4.8	5.3

BTU 6,000

Panasonic Industrial Company

Air Conditioning Department

5RS072FAA21

208/230V, 60Hz R-410a

5RS072FAA21

Application	Cooling (C) / Heating (H)	
Ref. Charge Limit (C/H)	16.4 oz.	465 g
	(C)	19.4 oz. 550 g
Evaporating Temp Range (C/H)	5°F to 53.6 °F	-15°C to 12°C
	(C)	14°F to 53.6 °F -10°C to 12°C

Rated Performance at 230 V

Capacity	6,892 BTU/h
Motor Input	740 Watts
Current	3.35 Amperes

Compressor Data

Pump Type	Rotary	
Displacement	7.26 cm ³ /rev.	
Oil	FV50S (PVE) or equivalent	
Oil Charge (Precharged)	10.14 fl. oz.	300 cm ³
Net Weight	20.1 lb.	9.10 kg

Motor Data

Motor Type	Permanent Split Capacitor	
Locked Rotor Amperes	19 A at 240 V	
Winding Resistance ²	Main: ___Ω, Aux: ___Ω	
Max. Continuous Current ²	_____	

Maximum Operating Conditions

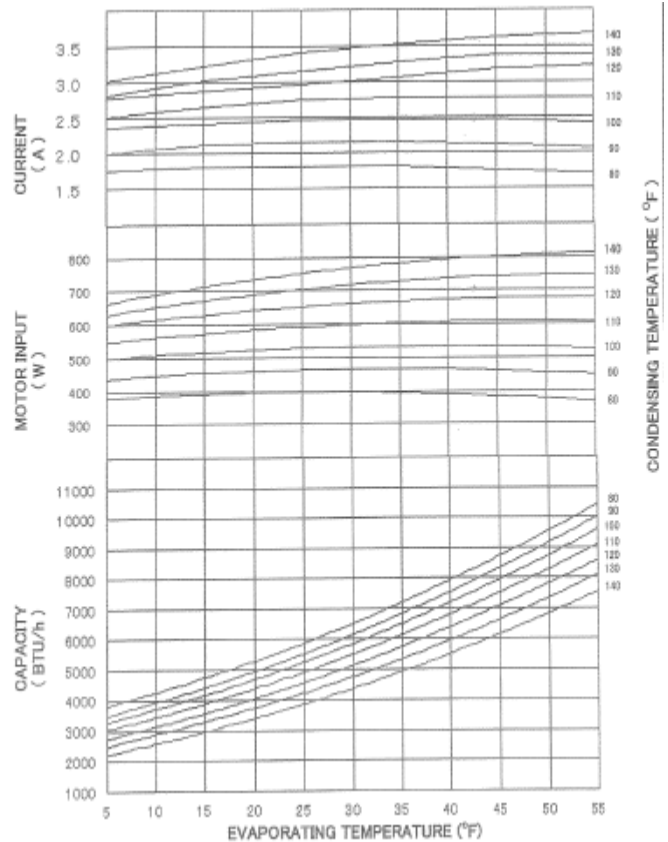
Condensing Temp.	149°F	65°C
Return Gas Temp.	95°F	35°C
Discharge Gas Temp.	239°F	115°C
Motor Wire Temp.	266°F	130°C

Electrical Components

Overload Protector	7100681
Texas Instrument part#	MRA 99212-9201
Run Capacitor	15 μF / 370 V

Rated at ASHRAE/T Conditions

Evaporating Temp.	45°F	7.2°C
Condensing Temp.	130°F	54.4°C
Return Gas Temp.	95°F	35.0°C
Liquid Temp.	115°F	46.1°C
Ambient Temp.	95°F	35.0°C



Performance Data

Based on Voltage 230 V, Frequency 60 Hz
 Return Gas 65°F 18.3°C
 Liquid Sub Cooling 15°F -9.4°C
 Ambient, Air Over 1m/s 95°F 35.0°C

COND. TEMP.

100°F	110°F	120°F	130°F	140°F
37.8°C	43.3°C	48.9°C	54.4°C	60°C

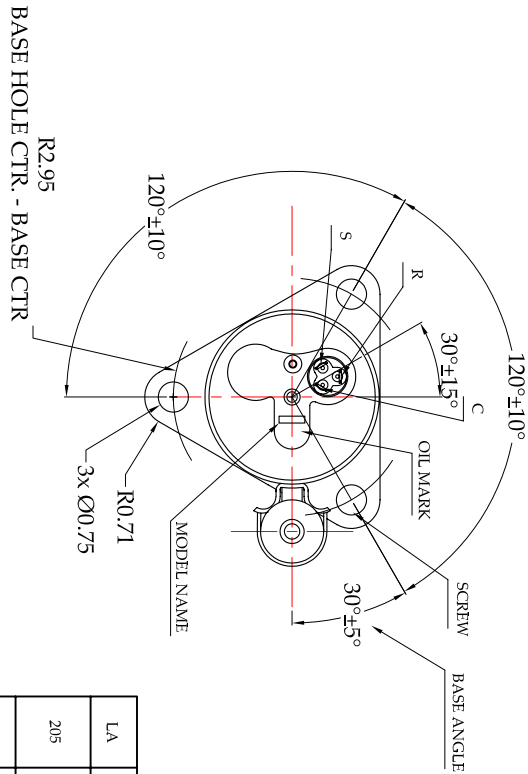
EVAP. TEMP.

EVAP. TEMP.	COND. TEMP.					
	100°F	110°F	120°F	130°F	140°F	
35°F 1.7°C	Btu/h	6494	6144	5754	5342	4928
	Watts	536	603	668	728	780
	Amperes	2.5	2.8	3.1	3.3	3.5
45°F 7.2°C	Btu/h	7936	7524	7094	6642	6164
	Watts	528	608	677	742	802
	Amperes	2.5	2.8	3.2	3.4	3.6
55°F 12.8°C	Btu/h	9607	9116	8597	8122	7565
	Watts	526	605	677	749	812
	Amperes	2.4	2.8	3.2	3.4	3.7

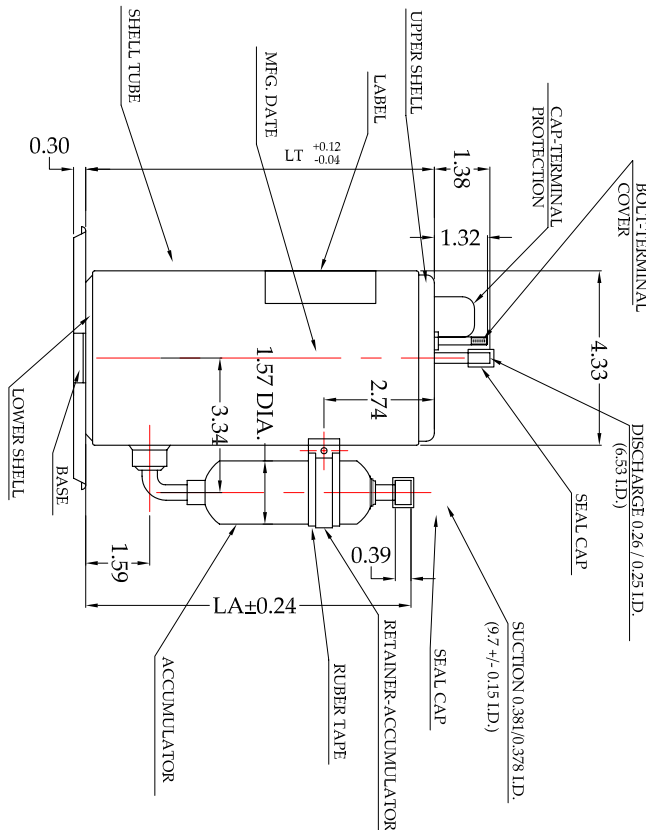
5RS072FAA21

208 / 230 V, 60 Hz R410A

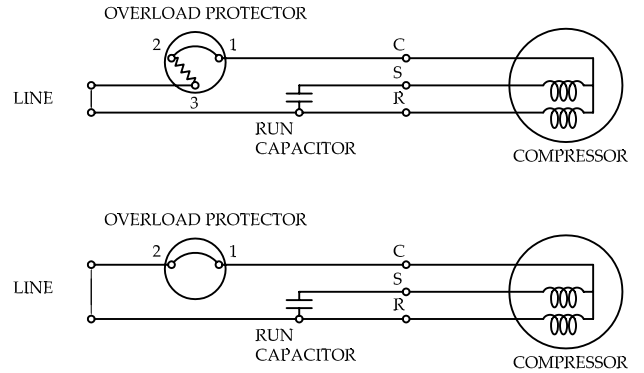
BTU 7,000



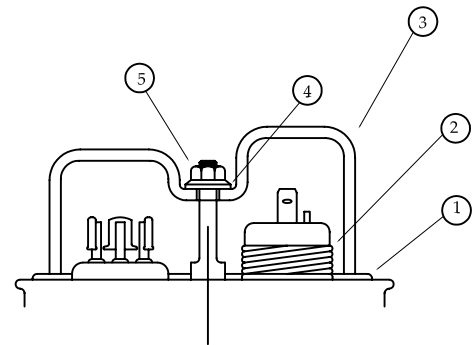
(8.07)	205	LA	LT
(8.66)	220		



WIRING DIAGRAM



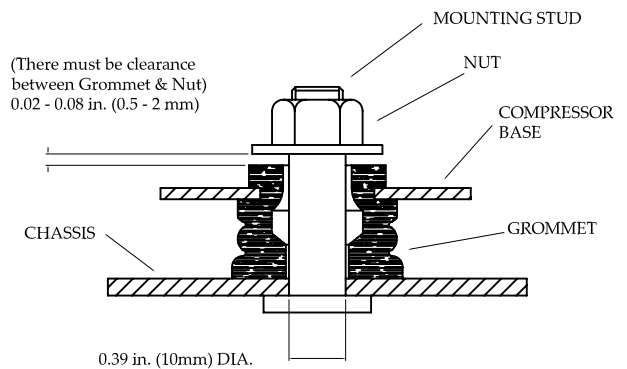
COMPRESSOR ACCESSORIES



ACCESSORIES	PART NUMBER
-------------	-------------

1	Gasket-Terminal Cover	7070620U
2	Spring - OLP hold down	7041200
3	Terminal Cover	7070222U
4	Gasket - Nut	7070621U
5	Nut - Terminal Cover	7080300
	Grommet	7070817

COMPRESSOR MOUNTING



This document sets forth certain operational parameters and conditions for operation of this product. If this product is operated outside of the parameters and conditions stated herein, buyer assumes sole and full responsibility and shall indemnify seller with respect to all product failures, and all the consequences thereof. Operation of the product outside of the parameters and conditions specified herein shall serve to invalidate all seller warranties, if any, with respect to the product. Use this document as reference only. For specifications please contact Panasonic's engineering department.

Panasonic Industrial Company

Air Conditioning Department

5RS072UAB21

115V, 60Hz R-410a

5RS072UAB21

Application	Cooling (C) / Heating (H)	
Ref. Charge Limit (C/H)	16.4 oz.	465 g
	(C)	19.4 oz. 550 g
Evaporating Temp Range (C/H)	5°F to 53.6 °F	-15°C to 12°C
	(C)	14°F to 53.6 °F -10°C to 12°C

Rated Performance at 115 V

Capacity	6,926 BTU/h
Motor Input	720 Watts
Current	6.60 Amperes

Compressor Data

Pump Type	Rotary	
Displacement	7.26 cm ³ /rev.	
Oil	FV50S (PVE) or equivalent	
Oil Charge (Precharged)	10.14 fl. oz.	300 cm ³
Net Weight	20.1 lb.	9.10 kg

Motor Data

Motor Type	Permanent Split Capacitor	
Locked Rotor Amperes	40 A at 120 V	
Winding Resistance ²	Main: _____Ω	Aux: _____Ω
Max. Continuous Current ²	_____	

Maximum Operating Conditions

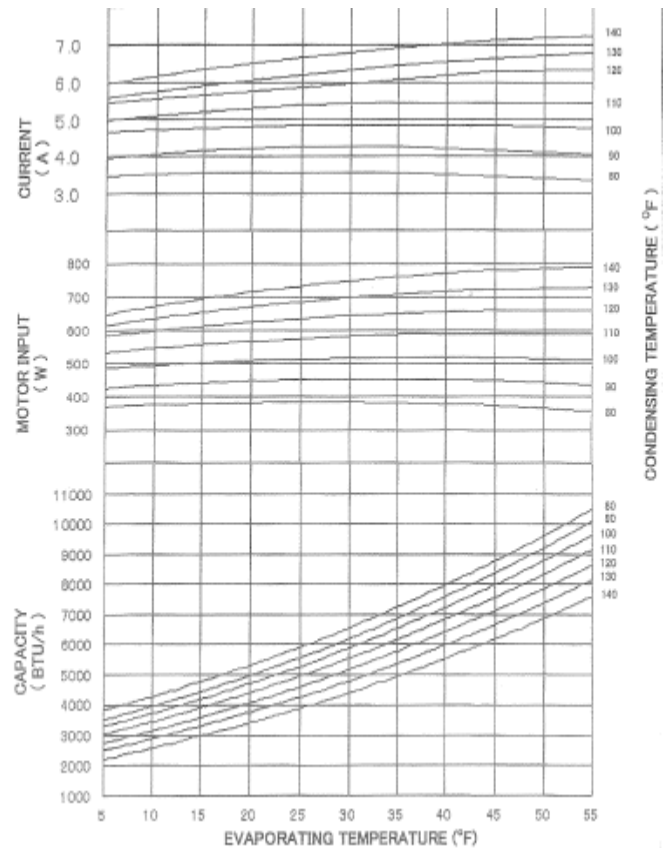
Condensing Temp.	149°F	65°C
Return Gas Temp.	95°F	35°C
Discharge Gas Temp.	239°F	115°C
Motor Wire Temp.	266°F	130°C

Electrical Components

Overload Protector	7100533
Texas Instrument part#	MRA 98866-9201
Run Capacitor	35 μF / 250 V

Rated at ASHRAE/T Conditions

Evaporating Temp.	45°F	7.2°C
Condensing Temp.	130°F	54.4°C
Return Gas Temp.	95°F	35.0°C
Liquid Temp.	115°F	46.1°C
Ambient Temp.	95°F	35.0°C



Performance Data

Based on Voltage 115 V, Frequency 60 Hz

Return Gas	65°F	18.3°C
Liquid Sub Cooling	15°F	-9.4°C
Ambient, Air Over 1m/s	95°F	35.0°C

COND. TEMP.

100°F	110°F	120°F	130°F	140°F
37.8°C	43.3°C	48.9°C	54.4°C	60°C

EVAP. TEMP.

35°F 1.7°C	Btu/h	3293	3043	2756	2508	2217
	Watts	521	586	649	708	759
	Amperes	4.9	5.5	6.1	6.4	6.9

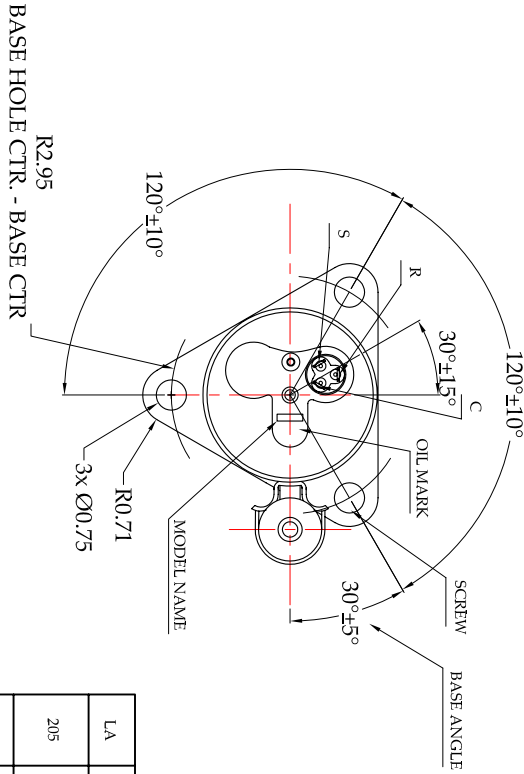
45°F 7.2°C	Btu/h	7973	7560	7127	6673	6193
	Watts	514	591	659	722	780
	Amperes	4.9	5.5	6.3	6.6	7.1

55°F 12.8°C	Btu/h	9652	9158	8638	8160	7601
	Watts	512	589	659	729	790
	Amperes	4.8	5.5	6.3	6.8	7.2

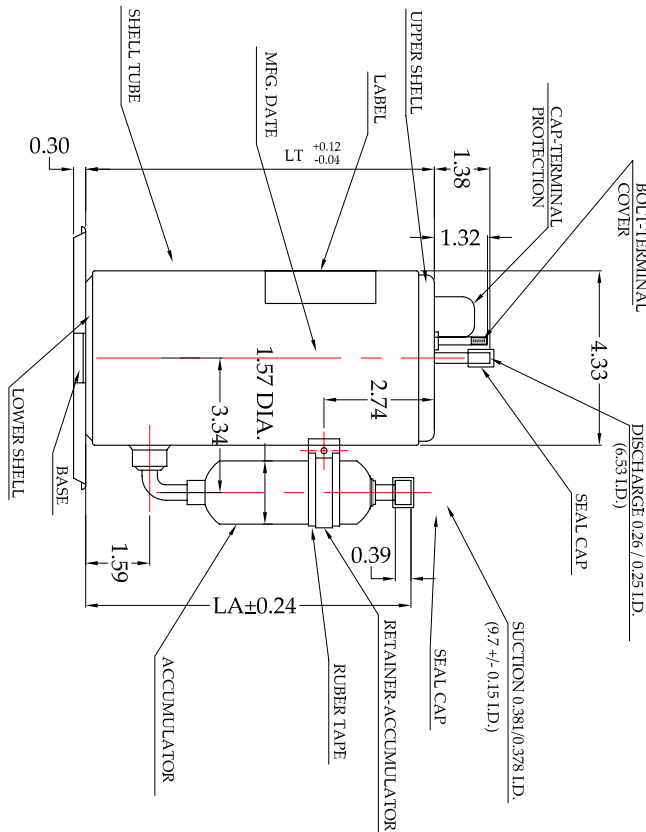
5RS072UAB21

115 V, 60 Hz R410A

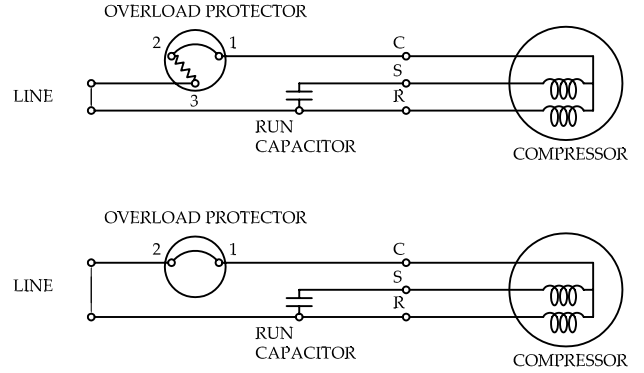
BTU 7,000



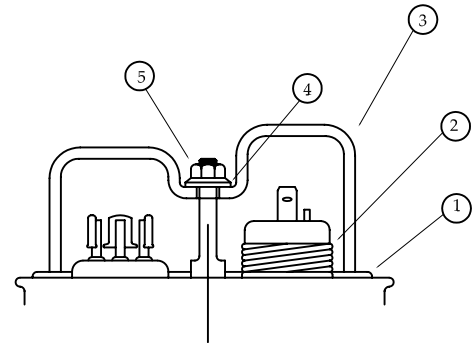
(8.07)	205	LA	LT
(8.66)	220		



WIRING DIAGRAM



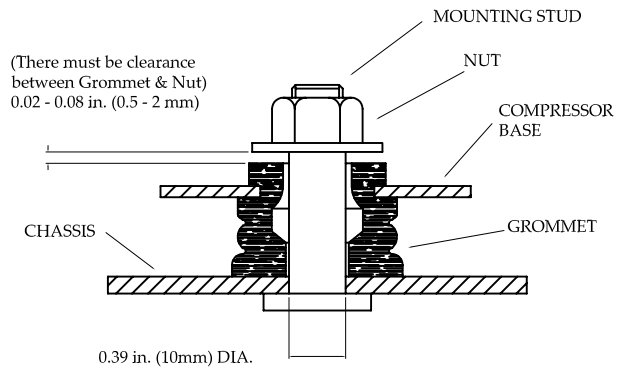
COMPRESSOR ACCESSORIES



ACCESSORIES	PART NUMBER
-------------	-------------

1	Gasket-Terminal Cover	7070620U
2	Spring - OLP hold down	7041200
3	Terminal Cover	7070222U
4	Gasket - Nut	7070621U
5	Nut - Terminal Cover	7080300
	Grommet	7070817

COMPRESSOR MOUNTING



This document sets forth certain operational parameters and conditions for operation of this product. If this product is operated outside of the parameters and conditions stated herein, buyer assumes sole and full responsibility and shall indemnify seller with respect to all product failures, and all the consequences thereof. Operation of the product outside of the parameters and conditions specified herein shall serve to invalidate all seller warranties, if any, with respect to the product. Use this document as reference only. For specifications please contact Panasonic's engineering department.

Panasonic Industrial Company

Air Conditioning Department

5RS084FAA21

208/230V, 60Hz R-410a

5RS084FAA21

Application	Cooling (C) / Heating (H)	
Ref. Charge Limit (C/H)	22.4 oz.	635 g
	(C)	26.5 oz. 750 g
Evaporating Temp Range (C/H)	5°F to 53.6 °F	-15°C to 12°C
	(C)	14°F to 53.6 °F -10°C to 12°C

Rated Performance at 230 V

Capacity	8,155 BTU/h
Motor Input	875 Watts
Current	3.95 Amperes

Compressor Data

Pump Type	Rotary	
Displacement	8.51 cm ³ /rev.	
Oil	FV50S (PVE) or equivalent	
Oil Charge (Precharged)	10.2 fl. Oz.	300 cm ³
Net Weight	20.6 lb.	9.30 kg

Motor Data

Motor Type	Permanent Split Capacitor	
Locked Rotor Amperes	21 A at 240 V	
Winding Resistance ²	Main: ___Ω, Aux: ___Ω	
Max. Continuous Current ²	_____	

Maximum Operating Conditions

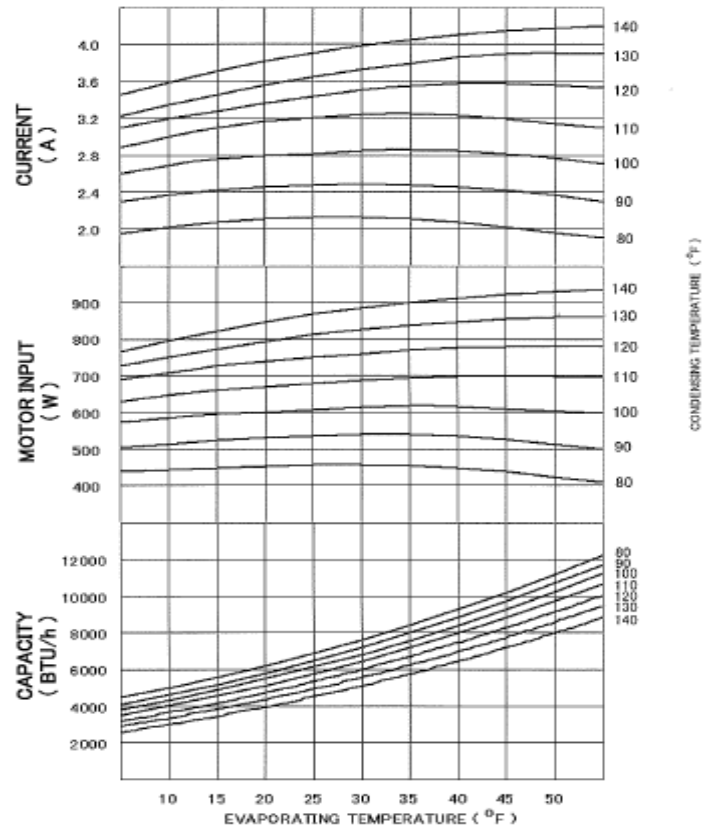
Condensing Temp.	149°F	65°C
Return Gas Temp.	95°F	35°C
Discharge Gas Temp.	239°F	115°C
Motor Wire Temp.	266°F	130°C

Electrical Components

Overload Protector	7100571
Texas Instrument part#	MRA 99052-9201
Run Capacitor	15 μF / 370 V

Rated at ASHRAE/T Conditions

Evaporating Temp.	45°F	7.2°C
Condensing Temp.	130°F	54.4°C
Return Gas Temp.	95°F	35.0°C
Liquid Temp.	115°F	46.1°C
Ambient Temp.	95°F	35.0°C



Performance Data

Based on Voltage 230 V, Frequency 60 Hz

Return Gas	65°F	18.3°C
Liquid Sub Cooling	15°F	-9.4°C
Ambient, Air Over 1m/s	95°F	35.0°C

COND. TEMP.

100°F	110°F	120°F	130°F	140°F
37.8°C	43.3°C	48.9°C	54.4°C	60°C

EVAP. TEMP.

35°F 1.7°C	Btu/h	7588	7178	6723	6242	5758
	Watts	617	694	769	838	899
	Amperes	2.9	3.3	3.6	3.8	4.1

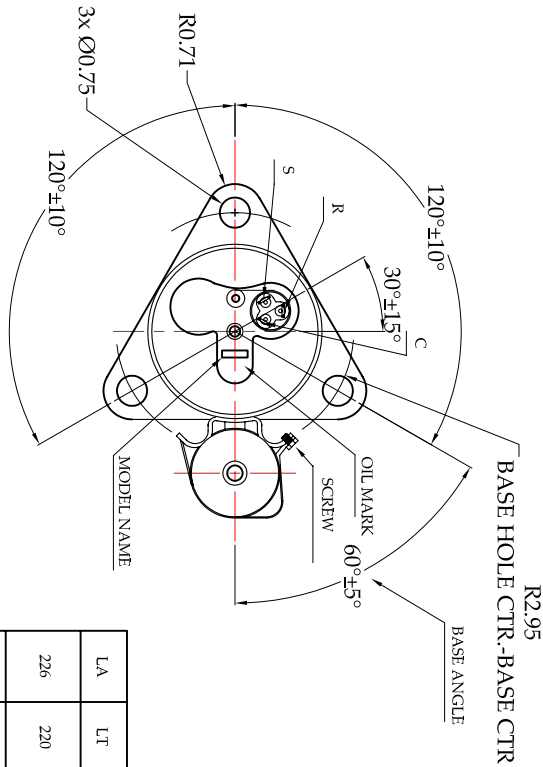
45°F 7.2°C	Btu/h	9273	8792	8289	7760	7202
	Watts	609	700	780	855	924
	Amperes	2.8	3.2	3.6	3.9	4.1

55°F 12.8°C	Btu/h	11225	10651	10046	9490	8839
	Watts	600	697	780	863	935
	Amperes	2.7	3.1	3.5	3.9	4.2

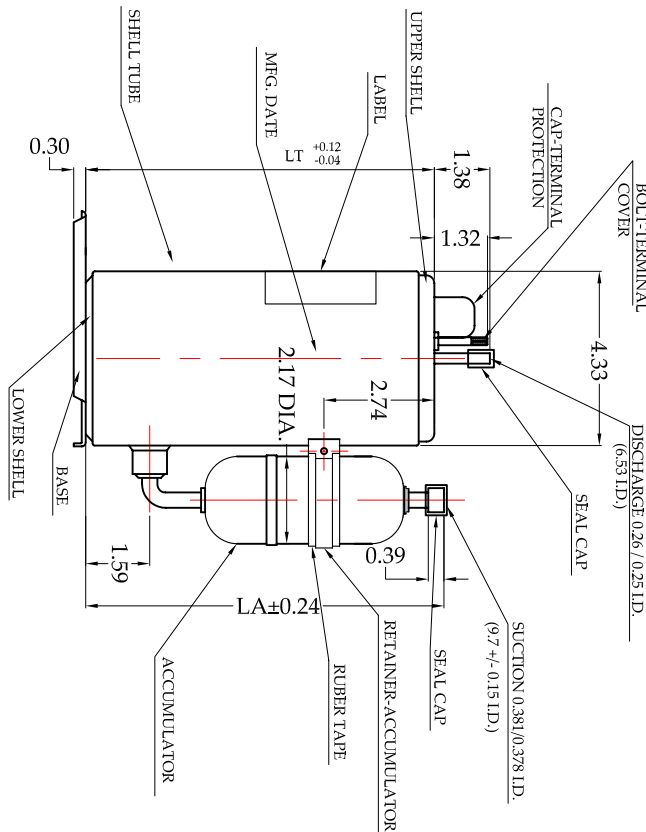
5RS084FAA21

208 / 230 V, 60 Hz R410A

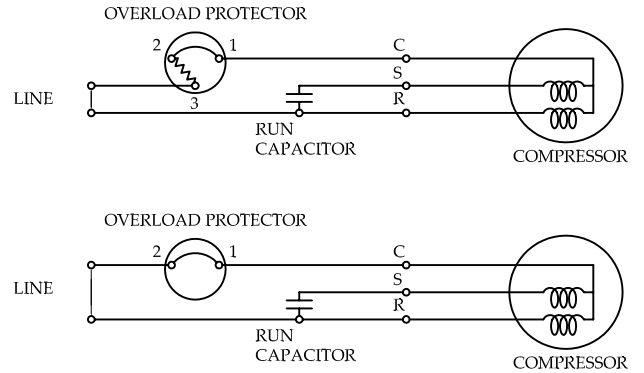
BTU 8,000



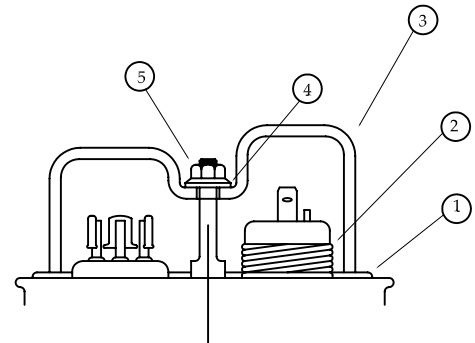
LA	226	(8.89)
LT	220	(8.66)



WIRING DIAGRAM



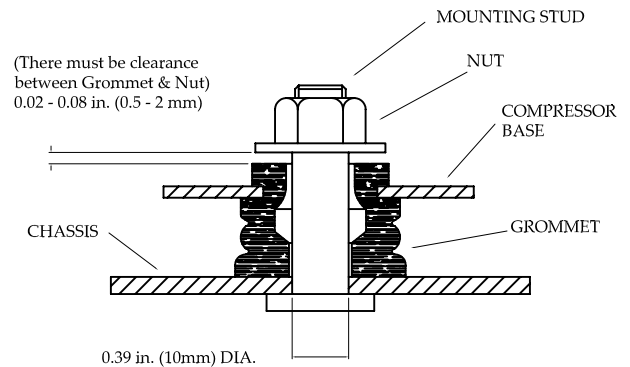
COMPRESSOR ACCESSORIES



ACCESSORIES	PART NUMBER
-------------	-------------

1	Gasket-Terminal Cover	7070620U
2	Spring - OLP hold down	7041200
3	Terminal Cover	7070222U
4	Gasket - Nut	7070621U
5	Nut - Terminal Cover	7080300
	Grommet	7070817

COMPRESSOR MOUNTING



This document sets forth certain operational parameters and conditions for operation of this product. If this product is operated outside of the parameters and conditions stated herein, buyer assumes sole and full responsibility and shall indemnify seller with respect to all product failures, and all the consequences thereof. Operation of the product outside of the parameters and conditions specified herein shall serve to invalidate all seller warranties, if any, with respect to the product. Use this document as reference only. For specifications please contact Panasonic's engineering department.