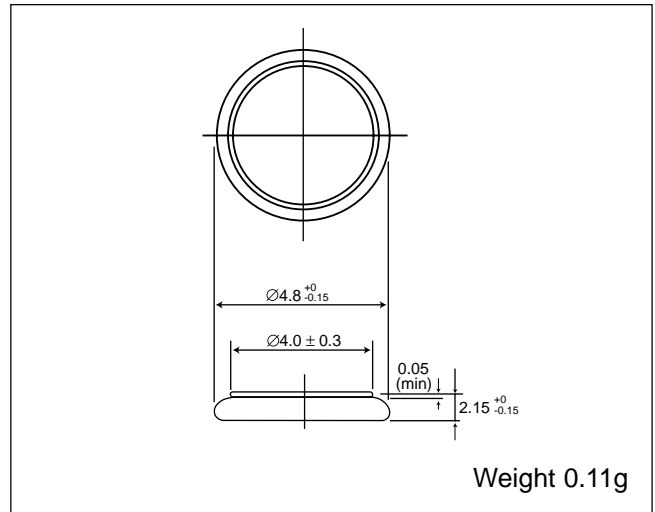


Manganese Lithium Coin Batteries (ML series): Individual Specifications

ML421

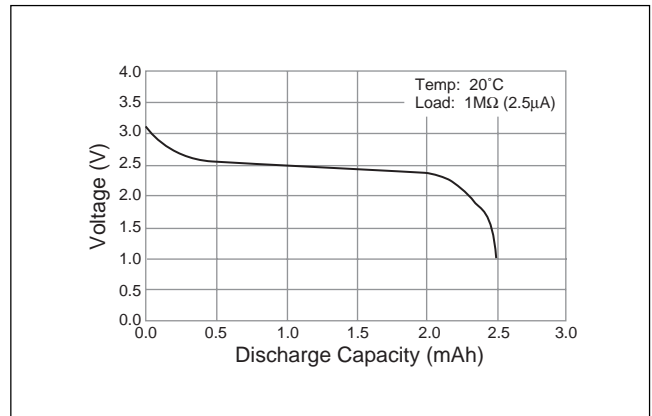
□ Dimensions(mm)



□ Specification

Nominal voltage (V)	3
Nominal capacity (mAh)	2.3
Continuous standard load (mA)	0.003
Operating temperature (C)	-20 ~ +60

□ Discharge characteristics



□ Consumption current vs. Duration time

