

CRV3

# LITHIUM MANGANESE DIOXIDE



### Features & Benefits

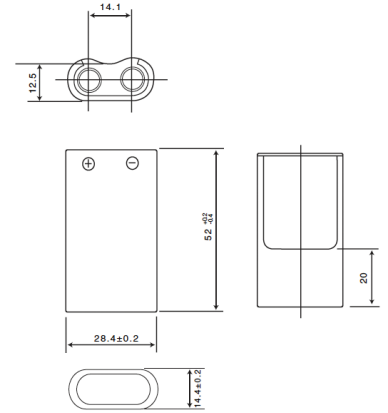
- Operating temperature range between -40° C to +70° C
- High current pulse discharge capability
- Stable voltage level during discharge
- High safety and reliability

### Specifications

Nominal Capacity:	3000 mAh
Nominal Voltage:	3V
Weight:	Approximately 39g
Operating Temperature:	-40°C - +70°C*

\*Please consult Panasonic for use below and above -20°C to +60°C

### Dimensions



### Discharge Characteristics

#### Discharge Characteristics of CR-V3p(2pc)and" AA" Alkaline Cell (LR6,4pcs)

