

PhotoMOS

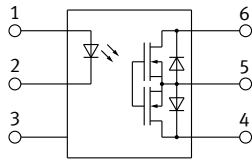
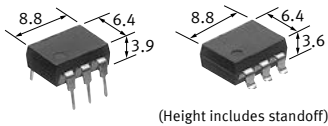
# GU 1 Form B

Product Catalog

**IN Your  
Future**

# GU 1 Form B

## Normally closed 6-pin type of 400V load voltage



(Unit: mm)

### FEATURES

- Low on-resistance (Typ. 26Ω) for normally-closed type
- Controls low-level analog signals
- High sensitivity and low on-resistance
- Low-level off state leakage current of max. 1 μA

### TYPICAL APPLICATIONS

- Security equipment
- Telephone equipment (Dial pulse)
- Measuring instruments

Note: Please contact our sales representative for automotive applications of PhotoMOS.

### TYPES

| Category       | Output rating*1 |              | Part No.              |                        |                                 | Packing quantity                          |  |
|----------------|-----------------|--------------|-----------------------|------------------------|---------------------------------|---|--|
|                | Load voltage    | Load current | Through hole terminal | Surface mount terminal |                                 | Tube                                      | Tape and reel                                  |
|                |                 |              | Tube packing style    |                        | Tape and reel packing style X*2 |   |  |
| AC/DC dual use | 400 V           | 120 mA       | AQV414                | AQV414A                | AQV414AX                        | 1-tube: 50 pcs.<br>Outer carton: 500 pcs. | 1-reel: 1,000 pcs.<br>Outer carton: 1,000 pcs. |

Note: The surface mount terminal shape indicator "A" and the packing style indicator "X" are not marked on the device. (Ex. the label for product number AQV414AX is AQV414.)

\*1. Indicate the peak AC and DC values.

\*2. Tape and reel packing style X: picked from the 1/2/3-pin side. For part numbers with picked from the 4/5/6-pin side, change the "X" at the end to "Z" when ordering.

**RATING**

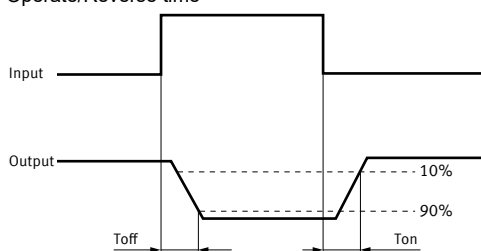
**Absolute maximum ratings (Ambient temperature: 25°C)**

| Item                            |                         | Symbol     | Type of connection | AQV414 (A)                     | Remarks                          |   |
|---------------------------------|-------------------------|------------|--------------------|--------------------------------|----------------------------------|---|
| Input                           | LED forward current     | $I_F$      | -                  | 50 mA                          |                                  |   |
|                                 | LED reverse voltage     | $V_R$      |                    | 5 V                            |                                  |   |
|                                 | Peak forward current    | $I_{FP}$   |                    | 1 A                            | f = 100 Hz,<br>Duty Ratio = 0.1% |   |
|                                 | Power dissipation       | $P_{in}$   |                    | 75 mW                          |                                  |   |
| Output                          | Load voltage (peak AC)  | $V_L$      | A<br>B<br>C        | 400 V                          |                                  |   |
|                                 | Continuous load current | $I_L$      |                    | A                              | 0.12 A                           | A connection: Peak AC, DC                       |
|                                 |                         |            |                    | B                              | 0.13 A                           | B, C connection: DC                             |
|                                 |                         |            |                    | C                              | 0.15 A                           |   |
|                                 | Peak load current       | $I_{peak}$ |                    |                                | 0.3 A                            | A connection:<br>100 ms (1 shot),<br>$V_L = DC$ |
|                                 | Power dissipation       | $P_{out}$  |                    |                                | 500 mW                           |   |
| Total power dissipation         | $P_T$                   |            | 550 mW             |                                |                                  |   |
| I/O isolation voltage           | $V_{iso}$               |            | 1,500 Vrms         |                                |                                  |   |
| Ambient temperature (Operating) | $T_{opr}$               |            | -40 to +85°C       | (Avoid icing and condensation) |                                  |   |
| Ambient temperature (Storage)   | $T_{stg}$               |            | -40 to +100°C      |                                |                                  |   |
| Junction temperature            | $T_J$                   |            | 125°C              |                                |                                  |   |

**Electrical characteristics (Ambient temperature: 25°C)**

| Item                             |                           | Symbol     | Type of connection               | AQV414 (A)                                 | Condition                                     |
|----------------------------------|---------------------------|------------|----------------------------------|--|---|
| Input                            | LED operate (OFF) current | Typical    | $I_{Foff}$                       | 1.0 mA                                     | $I_L = Max.$                                  |
|                                  |                           | Maximum    |                                  | 3.0 mA                                     |   |
|                                  | LED reverse (ON) current  | Minimum    | $I_{Fon}$                        | 0.4 mA                                     | $I_L = Max.$                                  |
|                                  |                           | Typical    |                                  | 0.95 mA                                    |   |
| LED dropout voltage              | Typical                   | $V_F$      | 1.25 V (1.14 V at $I_F = 5 mA$ ) | $I_F = 50 mA$                              |   |
|                                  | Maximum                   |            | 1.5 V                            |  |   |
| Output                           | On resistance             | Typical    | A                                | 26 $\Omega$                                | $I_F = 0 mA$<br>$I_L = Max.$<br>Within 1 s    |
|                                  |                           | Maximum    |                                  | 50 $\Omega$                                |   |
|                                  |                           | Typical    | B                                | 20 $\Omega$                                | $I_F = 0 mA$<br>$I_L = Max.$<br>Within 1 s    |
|                                  |                           | Maximum    |                                  | 25 $\Omega$                                |   |
|                                  | Typical                   | C          | 10 $\Omega$                      | $I_F = 0 mA$<br>$I_L = Max.$<br>Within 1 s |   |
|                                  | Maximum                   |            | 12.5 $\Omega$                    |  |   |
| Off state leakage current        | Maximum                   | $I_{Leak}$ | -                                | 1 $\mu A$                                  | $I_F = 5 mA$<br>$V_L = Max.$                  |
| Transfer characteristics         | Operate (OFF) time*       | Typical    | $T_{off}$                        | 0.47 ms                                    | $I_F = 0 mA \rightarrow 5 mA$<br>$I_L = Max.$ |
|                                  |                           | Maximum    |                                  | 1.0 ms                                     |   |
|                                  | Reverse (ON) time*        | Typical    | $T_{on}$                         | 0.28 ms                                    | $I_F = 5 mA \rightarrow 0 mA$<br>$I_L = Max.$ |
|                                  |                           | Maximum    |                                  | 1.0 ms                                     |   |
|                                  | I/O capacitance           | Typical    | $C_{iso}$                        | 0.8 pF                                     | f = 1 MHz<br>$V_B = 0 V$                      |
|                                  |                           | Maximum    |                                  | 1.5 pF                                     |   |
| Initial I/O isolation resistance | Minimum                   | $R_{iso}$  | -                                | 1,000 M $\Omega$                           | 500 V DC                                      |

\*Operate/Reverse time



**Recommended operating conditions (Ambient temperature: 25°C)**

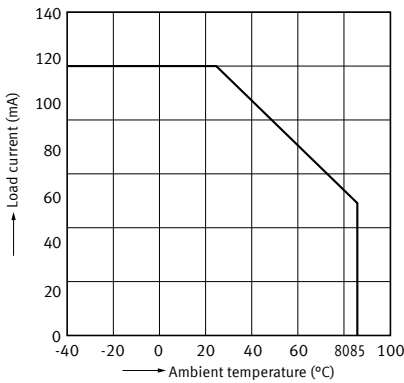
Please use under recommended operating conditions to obtain expected characteristics.

| Item        | Symbol                                 | Min. | Max. | Unit |
|-------------|--|------|------|------|
| LED current | $I_F$                                  | 5    | 30   | mA   |
| AQV414(A)   | Load voltage (Peak AC)                 | -    | 320  | V    |
|             | Continuous load current (A connection) | -    | 0.12 | A    |

**REFERENCE DATA**

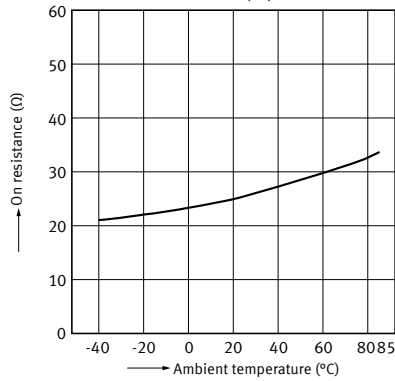
**1. Load current vs. ambient temperature characteristics**

Allowable ambient temperature: -40 to +85°C  
Type of connection: A



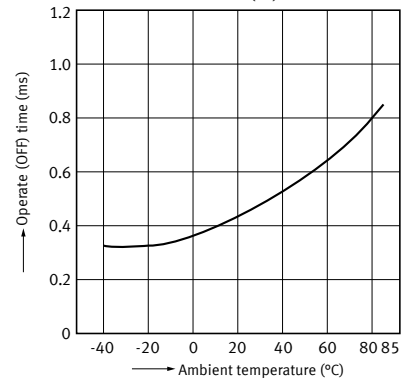
**2. On resistance vs. ambient temperature characteristics**

Measured portion: between terminals 4 and 6;  
LED current: 0 mA; Load voltage: 400 V (DC);  
Continuous load current: 120 mA (DC)



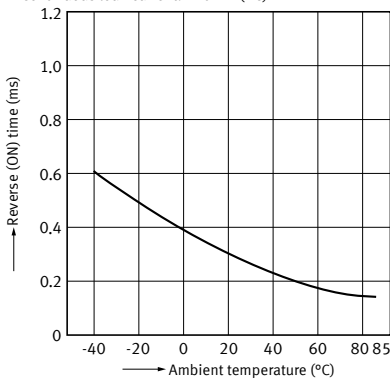
**3. Operate (OFF) time vs. ambient temperature characteristics**

LED current: 5 mA;  
Load voltage: 400 V (DC);  
Continuous load current: 120 mA (DC)



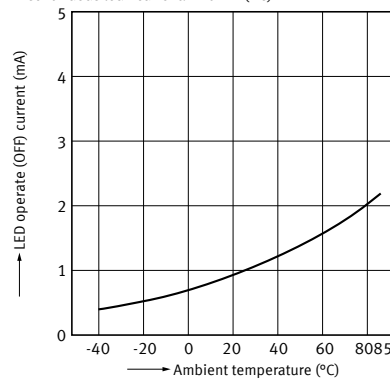
**4. Reverse (ON) time vs. ambient temperature characteristics**

LED current: 5 mA; Load voltage: 400 V (DC);  
Continuous load current: 120 mA (DC)



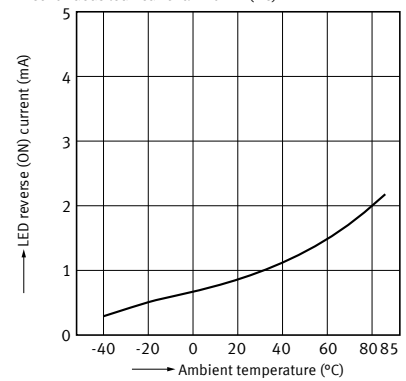
**5. LED operate (OFF) current vs. ambient temperature characteristics**

Load voltage: 400 V (DC);  
Continuous load current: 120 mA (DC)



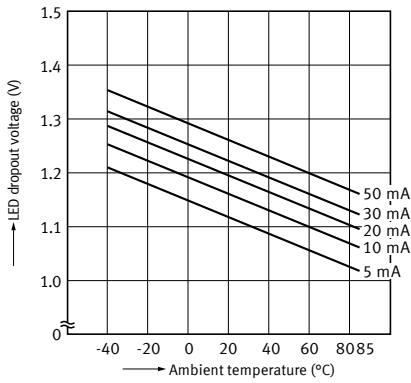
**6. LED reverse (ON) current vs. ambient temperature characteristics**

Load voltage: 400 V (DC);  
Continuous load current: 120 mA (DC)



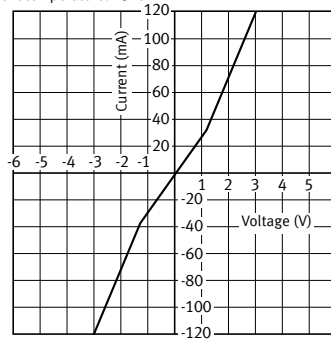
## 7. LED dropout voltage vs. ambient temperature characteristics

LED current: 5 to 50 mA



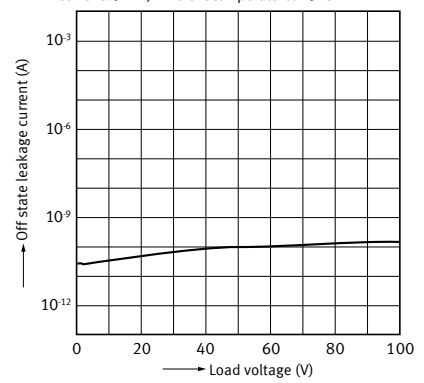
## 8. Current vs. voltage characteristics of output at MOS portion

Measured portion: between terminals 4 and 6;  
Ambient temperature: 25°C



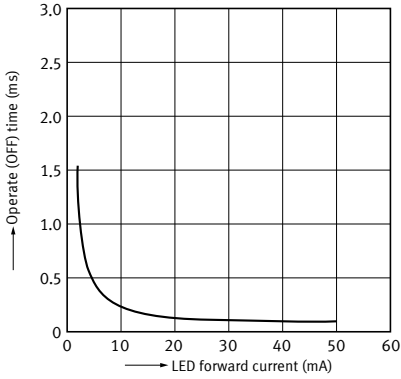
## 9. Off state leakage current vs. load voltage characteristics

Measured portion: between terminals 4 and 6;  
LED current: 5 mA; Ambient temperature: 25°C



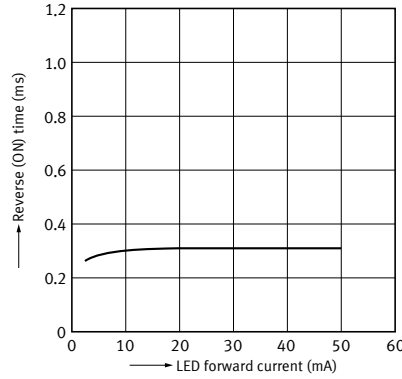
## 10. Operate (OFF) time vs. LED forward current characteristics

Measured portion: between terminals 4 and 6;  
Load voltage: 400 V (DC); Continuous load current: 120 mA (DC); Ambient temperature: 25°C



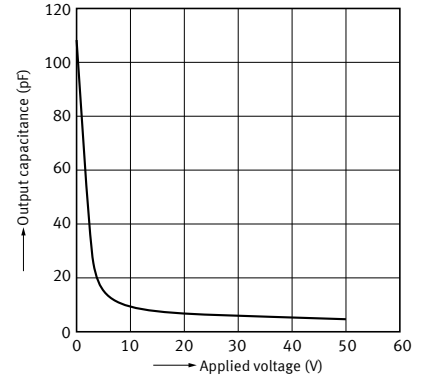
## 11. Reverse (ON) time vs. LED forward current characteristics

Measured portion: between terminals 4 and 6;  
Load voltage: 400 V (DC); Continuous load current: 120 mA (DC); Ambient temperature: 25°C



## 12. Output capacitance vs. applied voltage characteristics

Measured portion: between terminals 4 and 6;  
LED current: 5 mA; Frequency: 1 MHz; Ambient temperature: 25°C



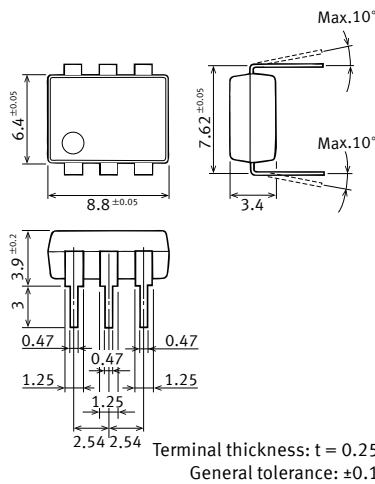
### DIMENSIONS

**CAD** The CAD data of the products with a "CAD" mark can be downloaded from our Website.

Unit: mm

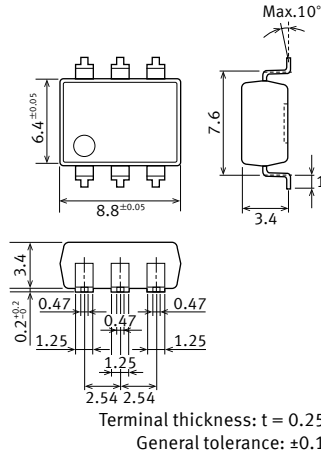
**CAD**

### Through hole terminal type External dimensions

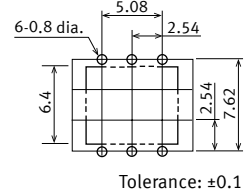


**CAD**

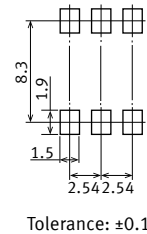
### Surface mount terminal type External dimensions



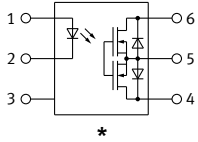
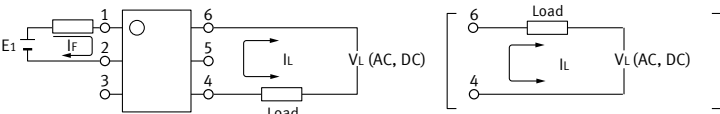
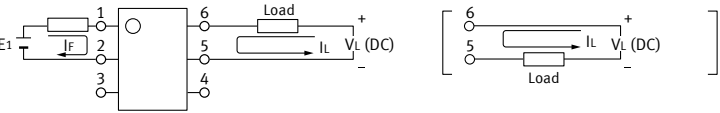
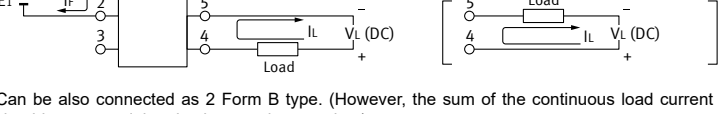
### PC board pattern (BOTTOM VIEW)



### Recommended mounting pad (TOP VIEW)



**SCHEMATIC AND WIRING DIAGRAMS**

| Schematic  | Output configuration | Load type | Connection | Wiring diagram   |
|--|----------------------|-----------|------------|--|
|  <p style="text-align: center;">*</p> | 1 Form B             | AC/DC     | A          |    |
|  |                      | DC        | B          |    |
|  |                      | DC        | C          |  <p>Can be also connected as 2 Form B type. (However, the sum of the continuous load current should not exceed the absolute maximum rating.)</p> |

\*Terminal 3 cannot be used, since it is in the internal circuit of the device.

**SAFETY STANDARDS**

| Part No.       | UL (Recognized)         |                  | Remarks   |
|----------------|-------------------------|------------------|---|
|                | File No. (Standard No.) | Contact rating   |   |
| AC/DC dual use | AQV414 (A)              | E191218 (UL1577) | 0.12A 400V AC (peak) A connection<br>0.12A 400V DC A connection<br>0.13A 400V DC B connection<br>0.15A 400V DC C connection |

Note: For the latest information on compliance with safety standards, please refer to our website.

Please refer to **"the latest product specifications"** when designing your product.

•Requests to customers:  
<https://industrial.panasonic.com/ac/e/salespolicies/>

# PhotoMOS® Cautions for Use

## ⚠ SAFETY WARNINGS

- Do not use the product under conditions that exceed the range of its specifications. It may cause overheating, smoke, or fire.
- Do not touch the recharging unit while the power is on. There is a danger of electrical shock. Be sure to turn off the power when performing mounting, maintenance, or repair operations on the device (including connecting parts such as the terminal board and socket).

- Check the wiring diagrams in the catalog and be sure to connect the terminals correctly. If the device is energized with short circuit or any wrong connection, it may cause unexpected malfunction, abnormal heat or fire.

## PhotoMOS® Cautions for Use

### ■ Derating design

Derating is a significant factor for reliable design and product life. Even if the conditions of use (temperature, current, voltage, etc.) of the product are within the absolute maximum ratings, reliability may be lowered remarkably when continuously used in high load conditions (high temperature, high humidity, high current, high voltage, etc.) Therefore, please derate sufficiently below the absolute maximum ratings and evaluate the device in the actual condition.

Moreover, regardless of the application, if malfunctioning can be expected to pose high risk to human life or to property, or if products are used in equipment otherwise requiring high operational safety, in addition to designing double circuits, that is, incorporating features such as a protection circuit or a redundant circuit, safety testing should also be carried out.

### ■ Applying stress that exceeds the absolute maximum rating

If the voltage or current value for any of the terminals exceeds the absolute maximum rating, internal elements will deteriorate because of the overvoltage or overcurrent. In extreme cases, wiring may melt, or silicon P/N junctions may be destroyed.

Therefore, the circuit should be designed in such a way that the load never exceed the absolute maximum ratings, even momentarily.

### ■ Input voltage (for Voltage-sensitive type)

For rising and dropping ratio of input voltage(dv/dt), maintain Min. 100mV/ms.

### ■ Oscillation circuit and control circuit (for CC Type)

The oscillation circuit and control circuit of product may be destroyed by external noise, surge, static electricity and so on.

For noise effect to peripheral circuits when oscillation circuit operates, please implement safety measures on the system before use by verifying operation under the actual design.

### ■ Deterioration and destruction caused by discharge of static electricity

This phenomenon is generally called static electricity destruction, and occurs when static electricity generated by various factors is discharged while the PhotoMOS® terminals are in contact, producing internal destruction of the element.

To prevent problems from static electricity, the following precautions and measures should be taken when using your device.

- 1) Employees handling PhotoMOS® should wear anti-static clothing and should be grounded through protective resistance of 500kΩ to 1MΩ.
- 2) A conductive metal sheet should be placed over the worktable. Measuring instruments and jigs should be grounded.
- 3) When using soldering irons, either use irons with low leakage current, or ground the tip of the soldering iron. (Use of low-voltage soldering irons is also recommended.)
- 4) Devices and equipment used in assembly should also be grounded.

- 5) When packing printed circuit boards and equipment, avoid using high-polymer materials such as foam styrene, plastic, and other materials which carry an electrostatic charge.
- 6) When storing or transporting PhotoMOS®, the environment should not be conducive to generating static electricity (for instance, the humidity should be between 45% and 60%), and PhotoMOS® should be protected using conductive packing materials.

### ■ Unused terminals

The No. 3 terminal is used with the circuit inside the device. Therefore, do not connect it to the external circuitry with either connection method A, B or C. (1 Form A 6-pin type)

### ■ Short across terminals

Do not short circuit between terminals when device is energized, since there is possibility of breaking of the internal IC.

### ■ Surge voltages at the input

If reverse surge voltages are present at the input terminals, connect a diode in reverse parallel across the input terminals and keep the reverse voltages below the reverse breakdown voltage.

Typical circuits are below shown.

1) 6-pin

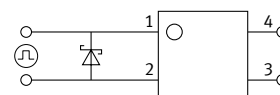


2) Power type



### ■ Reverse voltages at the input (for CC Type)

If reverse voltages are present at the input terminals, for example, connect a schottky barrier diode in reverse parallel across the input terminals and keep the reverse voltages below the reverse breakdown voltage. Typical circuit is shown below.



## Recommended LED forward current or recommended input voltage

Design in accordance with the recommended operating conditions for each product.

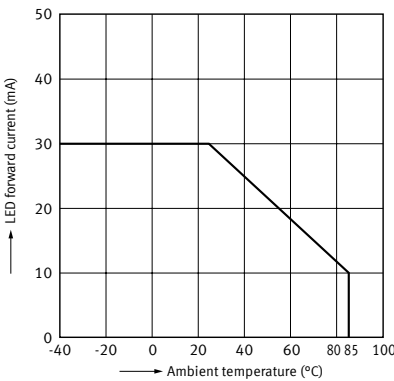
Since these conditions are affected by the operating environment, ensure conformance with all relevant specifications.

## LED forward current vs. Ambient temperature characteristics

Please keep the LED forward current to within the range given below.



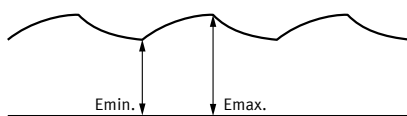
For Aqv209G, APV1111GV, APV3111GV



## Ripple in the input power supply

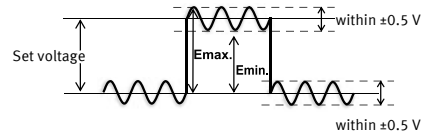
If ripple is present in the input power supply, observe the following:

- 1) For LED forward current at  $E_{min}$ , please maintain the value mentioned at "Recommended LED forward current."
- 2) Please make sure the LED forward current for  $E_{max}$  is no higher than 50 mA.
- 3) Please maintain the input voltage at least 4V for  $E_{min}$ . (GU, RF and Power voltage-sensitive type).
- 4) Please make sure the input voltage for  $E_{max}$  is no higher than 6V (GU and RF voltage-sensitive type).
- 5) Please make sure the input voltage for  $E_{max}$  is no higher than 30V (Power voltage-sensitive type).



- 6) Please maintain the input voltage at least 3V for  $E_{min}$ . (for CC Type)
- 7) Please make sure the input voltage for  $E_{max}$  is no higher than 5.5V. (for CC Type)

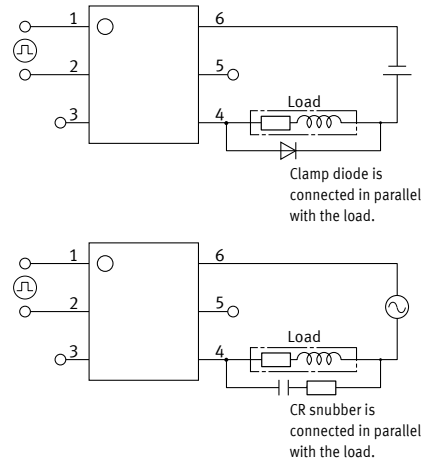
- 8) Please keep amplitude voltage of ripple within  $\pm 0.5V$ . (for CC Type)



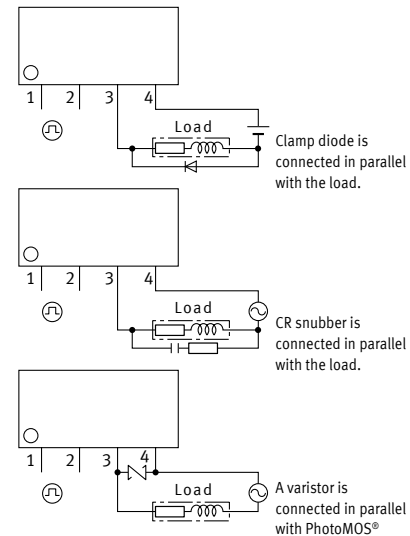
## Output spike voltages

- 1) If an inductive load generates spike voltages which exceed the absolute maximum rating, the spike voltage shall be limited. Representative circuit examples of AC/DC dual use type are shown below. There are the same with DC only type.

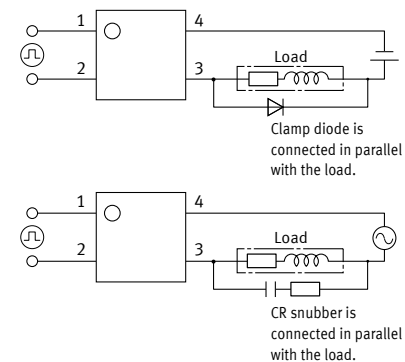
(1) 6-pin



(2) Power type



(3) CC Type



- 2) When Clamp diode or CR Snubber is used in the circuit, the spike voltages from the load are limited. But the longer wire may become the inductance and cause the spike voltage. Keep the wire as short as possible.

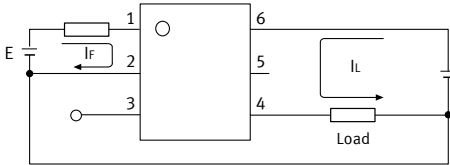


## Output Waveform (CC Type)

This product has the capacitor coupled isolation. Therefore, if output waveform fluctuates along the time axis (e.g. AC waveform or pulsating waveform), it may affect the operation of this product and peripheral circuit. Please evaluate the device in the actual condition.

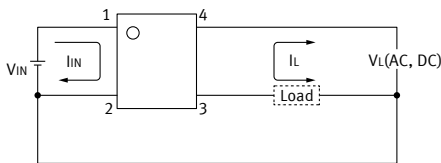
## Continual DC bias (AQV259 and AQV258)

If a continual DC bias will be applied between the input and output, the breakdown voltage of the switching element MOSFET on the output side may degrade. Therefore, be sure to test the product under actual conditions. Example of circuits that will cause degradation of breakdown voltage of MOSFET is given below.



## Connections Between Input and Output (CC Type)

If you wish to use the product with a connection between input and output, you may not obtain expected performance. Therefore, please be sure to evaluate the device in the actual usage. A circuit example is shown below that may negatively affect PhotoMOS characteristics.



## Cleaning solvents compatibility

Cleaning the solder flux should use the immersion washing with an organic solvent. If you have to use ultrasonic cleaning, please adopt the following conditions and check that there are no problems in the actual usage.

- Frequency: 27 to 29kHz
- Ultrasonic output: No greater than 0.25W/cm<sup>2</sup>\*
- Cleaning time: 30s or less
- Others: Float PCB and the device in the cleaning solvent to prevent from contacting the ultrasonic vibrator

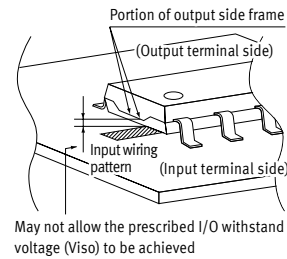
\* Applies to unit area ultrasonic output for ultrasonic baths

## Notes for mounting

- 1) When different kinds of packages are mounted on PC board, temperature rise at soldering lead is highly dependent on package size. Therefore, please set the lower temperature soldering condition than the conditions of item "Soldering", and confirm the temperature condition of actual usage before soldering.
- 2) When soldering condition exceeds our recommendation, the PhotoMOS® characteristics may be adversely affected. It may occur package crack or bonding wire breaking because of thermal expansion unconformity and resin strength reduction. Please contact our sales office about the propriety of the condition.
- 3) Please confirm the heat stress by using actual board because it may be changed by board condition or manufacturing process condition.
- 4) Solder creepage, wettability, or soldering strength will be affected by the soldering condition or used soldering type. Please check them under the actual production condition in detail.
- 5) Please apply coating when the device returns to a room temperature.

## Input wiring pattern

- 1) With AQY\* or AQW\* series avoid installing the input (LED side) wiring pattern to the bottom side of the package if you require the specified I/O isolation voltage ( $V_{iso}$ ) after mounting the PC board. Since part of the frame on the output side is exposed, it may cause fluctuations in the I/O isolation voltage.



\* Excluding high I/O isolation voltage products and SSOP, SON, and TSON packages

- 2) Exposed terminals are electrically connected to internal elements. Be aware that contact with external circuits may cause deterioration of insulation between input and output, leading to destruction of internal elements.
- 3) If installed in proximity to other device, take care to avoid short circuits between device, which may occur if exposed frames of adjacent device come too close.

## ■ Soldering

### 1) Example of surface-mount terminal recommended conditions

#### (1) IR (Infrared reflow) soldering method

In case of automatic soldering, following conditions should be observed. (recommended condition reflow: Max. 2 times, measurement point: soldering lead)



#### (2) Other soldering methods

Other soldering methods (VPS, hot-air, hot plate, laser heating, pulse heater, etc.) affect the PhotoMOS® characteristics differently, please evaluate the device under the actual usage.

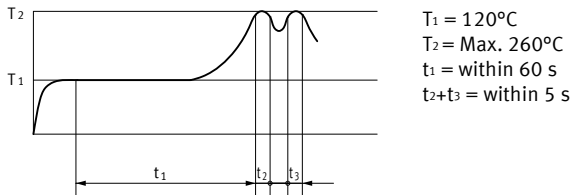
#### (3) Manual soldering method

Temperature: 350 to 400°C, within 3s, electrical power 30 to 60W

### 2) Example of through hole terminal recommended conditions

#### (1) DWS soldering method

In case of automatic soldering, following conditions should be observed. (recommended condition number of times: Max. 1 time, measurement point: soldering lead \*1)



\*1 Solder temperature: Max. 260°C

#### (2) Other soldering method (recommended condition: 1 time)

Preheating: Max. 120°C, within 120s, measurement point: soldering lead

Soldering: Max. 260°C, within 10s, measurement area: soldering temperature

#### (3) Manual soldering method

Temperature: 350 to 400°C, within 3s, electrical power 30 to 60W

## ■ About the exposed terminals on the sides of the package (for VSSOP)

For VSSOP type, as shown in the following figure, part of the input and output frames are exposed on the sides of the package. Due to this, please be keep in mind the cautions listed below.

- 1) Take care to avoid short circuits between exposed terminals, which may cause insulation deterioration between input and output, leading to destruction of internal elements.
- 2) Since the exposed terminals are connected electrically to the internal element, please refer to the item "■ Deterioration and destruction caused by discharge of static electricity", and implement sufficient measures to control static electricity.
- 3) When installing the devices in the vicinity, please keep in mind that if the exposed frames of adjacent devices get too close, a short between devices may occur.



## ■ Adjacent mounting

When several PhotoMOS® are mounted closely each other or heat-generating components are mounted close to the PhotoMOS®, the abnormal heating may occur. This abnormal heat may be caused by the internal element when energized or thermal interference between the devices. The degree of temperature rise depends on the mounting layout of the devices and usage condition, therefore please be sure to use PhotoMOS® with reduced load current after testing under the worst condition of the actual usage.

## ■ Transportation and storage

- 1) Extreme vibration during transport may deform the lead or damage the PhotoMOS® characteristics. Please handle the outer and inner boxes with care.
- 2) Inadequate storage condition may degrade soldering, appearance, and characteristics. The following storage conditions are recommended:
  - Temperature: 0 to 45°C
  - Humidity: Max. 70%RH
  - Atmosphere: No harmful gasses such as sulfurous acid gas, minimal dust.
- 3) Storage before TSON, VSSOP, SON, SSOP, or SOP processing  
 In case the heat stress of soldering is applied to the PhotoMOS® which absorbs moisture inside of its package, the evaporation of the moisture increases the pressure inside the package and it may cause the package blister or crack. This device is sensitive to moisture and it is packed in the sealed moisture-proof package. Please make sure the following condition after unsealing.
  - \* Please use the device immediately after unsealing. (Within 30 days at 0 to 30°C and Max. 70%RH)
  - \* If the device will be kept for a long time after unsealing, please store in the another moisture-proof package containing silica gel. (Please use within 90 days.)

## ■ Water condensation

Water condensation occurs when the ambient temperature changes suddenly from a high temperature to low temperature at high humidity, or the device is suddenly transferred from a low ambient temperature to a high temperature and humidity. Condensation causes the failures such as insulation deterioration. Panasonic Industry Co., Ltd. does not guarantee the failures caused by water condensation. The heat conduction by the equipment the PhotoMOS® is mounted may accelerate the water condensation. Please confirm that there is no condensation in the worst condition of the actual usage. (Special attention should be paid when high temperature heating parts are close to the PhotoMOS®.)

■ Packing format

1) Tape and reel

|                | Tape dimensions  | Dimensions of tape reel  |
|----------------|--|--|
| TSON<br>4-pin  | <p>(1) When picked from 1/2-pin side: Part No. AQY2C*R*PX, AQY2C*R*P1X (Shown above)<br/>                     (2) When picked from 3/4-pin side: Part No. AQY2C*R*PZ</p>                                     | <p>*Quality of material: Polystyrene (PS)</p>                                  |
| VSSOP<br>4-pin | <p>(1) When picked from 1 and 4-pin side: Part No. AQY*TY (Shown above)<br/>                     (2) When picked from 2 and 3-pin side: Part No. AQY*TW</p>  | <p>*Quality of material: Paper</p>   |
| SON<br>4-pin   | <p>(1) When picked from 1 and 4-pin side: Part No. AQY*MY, AQY*M1Y (Shown above)<br/>                     (2) When picked from 2 and 3-pin side: Part No. AQY*MW</p>   | <p>End of the part number Y/W</p> <p>*Quality of material: Paper</p>           |
| SSOP<br>4-pin  | <p>(1) When picked from 1 and 4-pin side: Part No. AQY*VY, AQY221*V1Y, APV*111*VY, APV*111*V1Y (Shown above)<br/>                     (2) When picked from 2 and 3-pin side: Part No. AQY*VW, APV*111*VW</p> | <p>End of the part number 1Y</p> <p>*Quality of material: Polystyrene (PS)</p> |
| SOP<br>4-pin   | <p>(1) When picked from 1/2-pin side: Part No. AQY*SX, APV**21SX (Shown above)<br/>                     (2) When picked from 3/4-pin side: Part No. AQY*SZ, APV**21SZ</p>                                    | <p>*Quality of material: Paper</p>   |

Note: " \* " indicates characters of number or alphabet.

|                                  | Tape dimensions  | Dimensions of tape reel            |
|----------------------------------|--|------------------------------------|
| SOP 6-pin                        | <p>(1) When picked from 1/2/3-pin side: Part No. AQV*<i>SX</i> (Shown above)<br/>                 (2) When picked from 4/5/6-pin side: Part No. AQV*<i>SZ</i></p>                            | <p>*Quality of material: Paper</p> |
| SOP 8-pin                        | <p>(1) When picked from 1/2/3/4-pin side: Part No. AQW*<i>SX</i> (Shown above)<br/>                 (2) When picked from 5/6/7/8-pin side: Part No. AQW*<i>SZ</i></p>                        | <p>*Quality of material: Paper</p> |
| SOP 16-pin                       | <p>(1) When picked from 1/2/3/4/5/6/7/8-pin side: Part No. AQS*<i>SX</i> (Shown above)<br/>                 (2) When picked from 9/10/11/12/13/14/15/16-pin side: Part No. AQS*<i>SZ</i></p> | <p>*Quality of material: Paper</p> |
| DIP 4-pin Surface mount terminal | <p>(1) When picked from 1/2-pin side: Part No. AQY*<i>HAX</i>, AQY210HLAX (Shown above)<br/>                 (2) When picked from 3/4-pin side: Part No. AQY*<i>HAZ</i>, AQY210HLAZ</p>      | <p>*Quality of material: Paper</p> |
| DIP 6-pin Surface mount terminal | <p>(1) When picked from 1/2/3-pin side: Part No. AQV*<i>AX</i> (Shown above)<br/>                 (2) When picked from 4/5/6-pin side: Part No. AQV*<i>AZ</i></p>                            | <p>*Quality of material: Paper</p> |

Note: "\*" indicates characters of number or alphabet.

# PhotoMOS® Cautions for Use

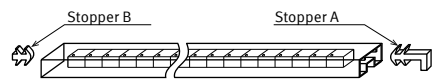
|   | Tape dimensions  | Dimensions of tape reel            |
|---|--|------------------------------------|
| DIP 8-pin<br>Surface mount<br>terminal  | <p>(1) When picked from 1/2/3/4-pin side: Part No. AQW*AX (Shown above)<br/>                 (2) When picked from 5/6/7/8-pin side: Part No. AQW*AZ</p>  | <p>*Quality of material: Paper</p> |
| DIP 8-pin<br>Surface mount<br>terminal<br>High I/O<br>isolation<br>voltage type | <p>(1) When picked from 1/2/3/4-pin side: Part No. AQW*EHAX,<br/>                 AQW210HLAX (Shown above)<br/>                 (2) When picked from 5/6/7/8-pin side: Part No. AQW*EHAZ, AQW210HLAZ</p> | <p>*Quality of material: Paper</p> |
| Power-DIP<br>4-pin<br>SMD   | <p>(1) When picked from 1/2-pin side: Part No. AQY*AX (Shown above)<br/>                 (2) When picked from 3/4-pin side: Part No. AQY*AZ</p>  | <p>*Quality of material: Paper</p> |
| DIP 6-pin<br>Surface mount<br>terminal<br>(Photovoltaic<br>MOSFET driver)       | <p>(1) When picked from 1/2/3-pin side: Part No. APV1122AX (Shown above)<br/>                 (2) When picked from 4/6-pin side: Part No. APV1122AZ</p>  | <p>*Quality of material: Paper</p> |

Note: "\*" indicates characters of number or alphabet.

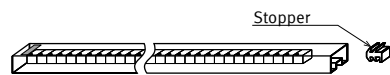
## 2) Tube

Devices are packaged in a tube so that 1-pin is on the stopper B side. Observe correct orientation when mounting them on PC boards.

(PD type)



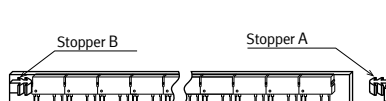
(DIP type)



(SOP type)



(Power type)



# PhotoMOS® Cautions for Use

## ■ Current limit function (output current control)

- 1) Current limit function aims to increase resistance to surges when the switch is turned on. Before using this function, connect the varistor to the output as shown in the figure below.



\* Set the varistor voltage to 150 V or less.

- 2) The current limit function capability can be lost if used longer than the specified time. Be sure to set the output loss to the Max. rate.

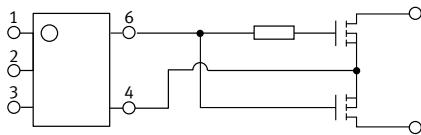
## ■ Short circuit protection circuit

The short circuit protection circuit is designed to protect circuits from excess current. Therefore, surge current may be detected as current overload in which case the output current will be cut and the off state maintained. For this reason, please include the inrush current in the load current and keep it below the maximum load current. Also, in order to maintain stability of internal IC operation, maintain an input current of at least 5 mA (Latch type), 10 mA (Non Latch type).

## ■ Photovoltaic MOSFET driver cautions for use

When two external MOSFETs are connected with a common source terminal, oscillation may occur when operation is restored. Therefore, please insert a 100 to 1,000 Ω resistor between the gate terminal of the first MOSFET and the gate terminal of the second MOSFET.

A typical example of this is given in the circuit below.



## ■ Input LED current

### (For High Capacity type: with part number G)

When making PhotoMOS turn on and turn off, please make sure that the LED forward current increases and decreases instantly.

## ■ Input voltage (for Power voltage-sensitive type)

For rising and dropping ratio of input voltage (dv/dt), maintain Min. 100 mV/s.

## ■ Adjacent mounting (for Power type)

- 1) When devices are mounted close together with the heat-generated devices, ambient temperature may rise abnormally. Mounting layout and ventilation should be considered.

- 2) When many devices are mounted close together, load current should be reduced. (Refer to the data of "Load current in adjacent mounting vs. Ambient temperature characteristics.")

## ■ Recommended load voltage

As a guide in selecting PhotoMOS®, please refer to the following table.

### 1) Power photoMOS® (1 Form A)

|            |        | Absolute maximum rating |                   | Recommended load voltage  |
|------------|--------|-------------------------|-------------------|---------------------------|
|            |        | Load voltage            | Load current      |                           |
| DC type    | AQZ102 | 60 V DC                 | 4.0 A DC          | 5, 12, 24 V DC            |
|            | AQZ105 | 100 V DC                | 2.6 A DC          | 48 V DC                   |
|            | AQZ107 | 200 V DC                | 1.3 A DC          | 100 V DC                  |
|            | AQZ104 | 400 V DC                | 0.7 A DC          | 200 V DC                  |
| AC/DC type | AQZ202 | Peak AC, DC 60 V        | Peak AC, DC 3.0 A | 12 V AC<br>5, 12, 24 V DC |
|            | AQZ205 | Peak AC, DC 100 V       | Peak AC, DC 2.0 A | 24 V AC<br>48 V DC        |
|            | AQZ207 | Peak AC, DC 200 V       | Peak AC, DC 1.0 A | 48 V AC<br>100 V DC       |
|            | AQZ204 | Peak AC, DC 400 V       | Peak AC, DC 0.5 A | 120 V AC<br>200 V DC      |

### 2) Power photoMOS® (1 Form B)

|            |        | Absolute maximum rating |                   | Recommended load voltage |
|------------|--------|-------------------------|-------------------|--------------------------|
|            |        | Load voltage            | Load current      |                          |
| AC/DC type | AQZ404 | Peak AC, DC 400 V       | Peak AC, DC 0.5 A | 100 V AC<br>200 V DC     |

### 3) Power photoMOS® Voltage-sensitive type (1 Form A)

|            |         | Absolute maximum rating |                    | Recommended load voltage  |
|------------|---------|-------------------------|--------------------|---------------------------|
|            |         | Load voltage            | Load current       |                           |
| DC type    | AQZ102D | 60 V DC                 | 3.6 A DC           | 5, 12, 24 V DC            |
|            | AQZ105D | 100 V DC                | 2.3 A DC           | 48 V DC                   |
|            | AQZ107D | 200 V DC                | 1.1 A DC           | 100 V DC                  |
|            | AQZ104D | 400 V DC                | 0.6 A DC           | 200 V DC                  |
| AC/DC type | AQZ202D | Peak AC, DC 60 V        | Peak AC, DC 2.7 A  | 12 V AC<br>5, 12, 24 V DC |
|            | AQZ205D | Peak AC, DC 100 V       | Peak AC, DC 1.8 A  | 24 V AC<br>48 V DC        |
|            | AQZ207D | Peak AC, DC 200 V       | Peak AC, DC 0.9 A  | 48 V AC<br>100 V DC       |
|            | AQZ204D | Peak AC, DC 400 V       | Peak AC, DC 0.45 A | 120 V AC<br>200 V DC      |

### 4) Power photoMOS® High Capacity type (1 Form A)

|            |          | Absolute maximum rating |                 | Recommended load voltage       |
|------------|----------|-------------------------|-----------------|--------------------------------|
|            |          | Load voltage            | Load current    |                                |
| DC type    | AQZ192   | 60 V DC                 | 10 A DC         | 5, 12, 24 V DC                 |
|            | AQZ197   | 200 V DC                | 5 A DC          | 100 V DC                       |
| AC/DC type | AQZ202G  | Peak AC, DC 60 V        | Peak AC, DC 6 A | 12 V AC<br>5, 12, 24 V DC      |
|            | AQZ205G  | Peak AC, DC 100 V       | Peak AC, DC 4 A | 24 V AC<br>48 V DC             |
|            | AQZ207G  | Peak AC, DC 200 V       | Peak AC, DC 2 A | 48 V AC<br>100 V DC            |
|            | AQZ206G2 | Peak AC, DC 600 V       | Peak AC, DC 1 A | 120, 240 V AC<br>200, 400 V DC |

---

**Panasonic**  
INDUSTRY

**Panasonic Industry Co., Ltd.**

Electromechanical Control Business Division  
■1006, Oaza Kadoma, Kadoma-shi, Osaka 571-8506, Japan  
[industrial.panasonic.com/ac/e/](http://industrial.panasonic.com/ac/e/)